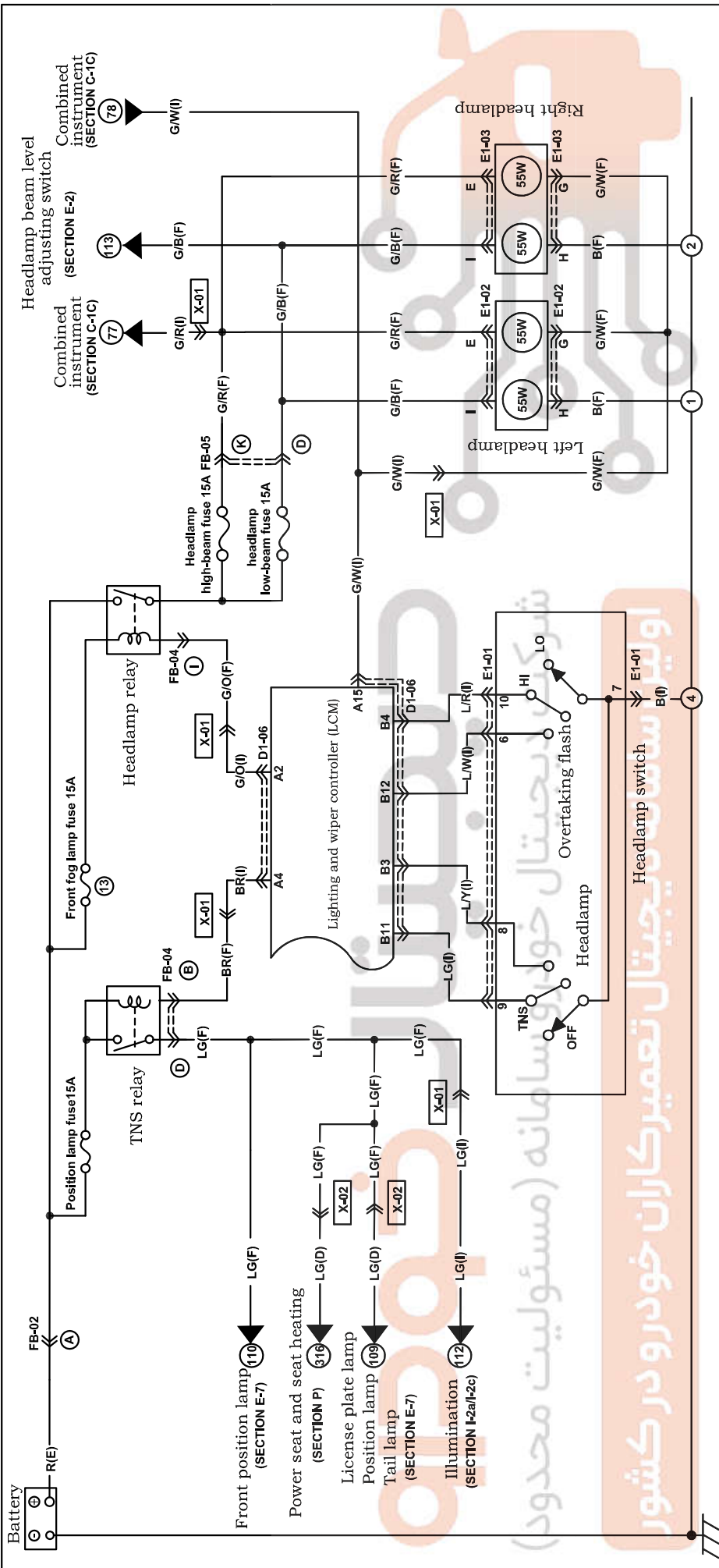


Headlamp



<p>E1-01 Headlamp switch (I)</p> <table border="1"> <tr><td>6</td><td>L/W</td><td>*</td><td>L/O</td><td>L/G</td><td>L/B</td><td>L</td><td>1</td></tr> <tr><td>12</td><td>*</td><td>*</td><td>L/R</td><td>L/G</td><td>L/Y</td><td>B</td><td>7</td></tr> </table>	6	L/W	*	L/O	L/G	L/B	L	1	12	*	*	L/R	L/G	L/Y	B	7	<p>E1-02 Left headlamp (F)</p> <table border="1"> <tr><td>M</td><td>K</td><td>I</td><td>E</td><td>C</td><td>A</td></tr> <tr><td>G/B</td><td>B</td><td>G/W</td><td>G/R</td><td>*</td><td>*</td></tr> <tr><td>P</td><td>LG</td><td>GR</td><td>B</td><td>B</td><td>Y/L</td></tr> <tr><td>N</td><td>L</td><td>J</td><td>F</td><td>D</td><td>B</td></tr> </table>	M	K	I	E	C	A	G/B	B	G/W	G/R	*	*	P	LG	GR	B	B	Y/L	N	L	J	F	D	B	<p>E1-03 Right headlamp (F)</p> <table border="1"> <tr><td>M</td><td>K</td><td>I</td><td>E</td><td>C</td><td>A</td></tr> <tr><td>G/B</td><td>B</td><td>G/W</td><td>G/R</td><td>*</td><td>*</td></tr> <tr><td>P</td><td>LG</td><td>GR</td><td>B</td><td>B</td><td>Y/L</td></tr> <tr><td>N</td><td>L</td><td>J</td><td>F</td><td>D</td><td>B</td></tr> </table>	M	K	I	E	C	A	G/B	B	G/W	G/R	*	*	P	LG	GR	B	B	Y/L	N	L	J	F	D	B	
6	L/W	*	L/O	L/G	L/B	L	1																																																												
12	*	*	L/R	L/G	L/Y	B	7																																																												
M	K	I	E	C	A																																																														
G/B	B	G/W	G/R	*	*																																																														
P	LG	GR	B	B	Y/L																																																														
N	L	J	F	D	B																																																														
M	K	I	E	C	A																																																														
G/B	B	G/W	G/R	*	*																																																														
P	LG	GR	B	B	Y/L																																																														
N	L	J	F	D	B																																																														