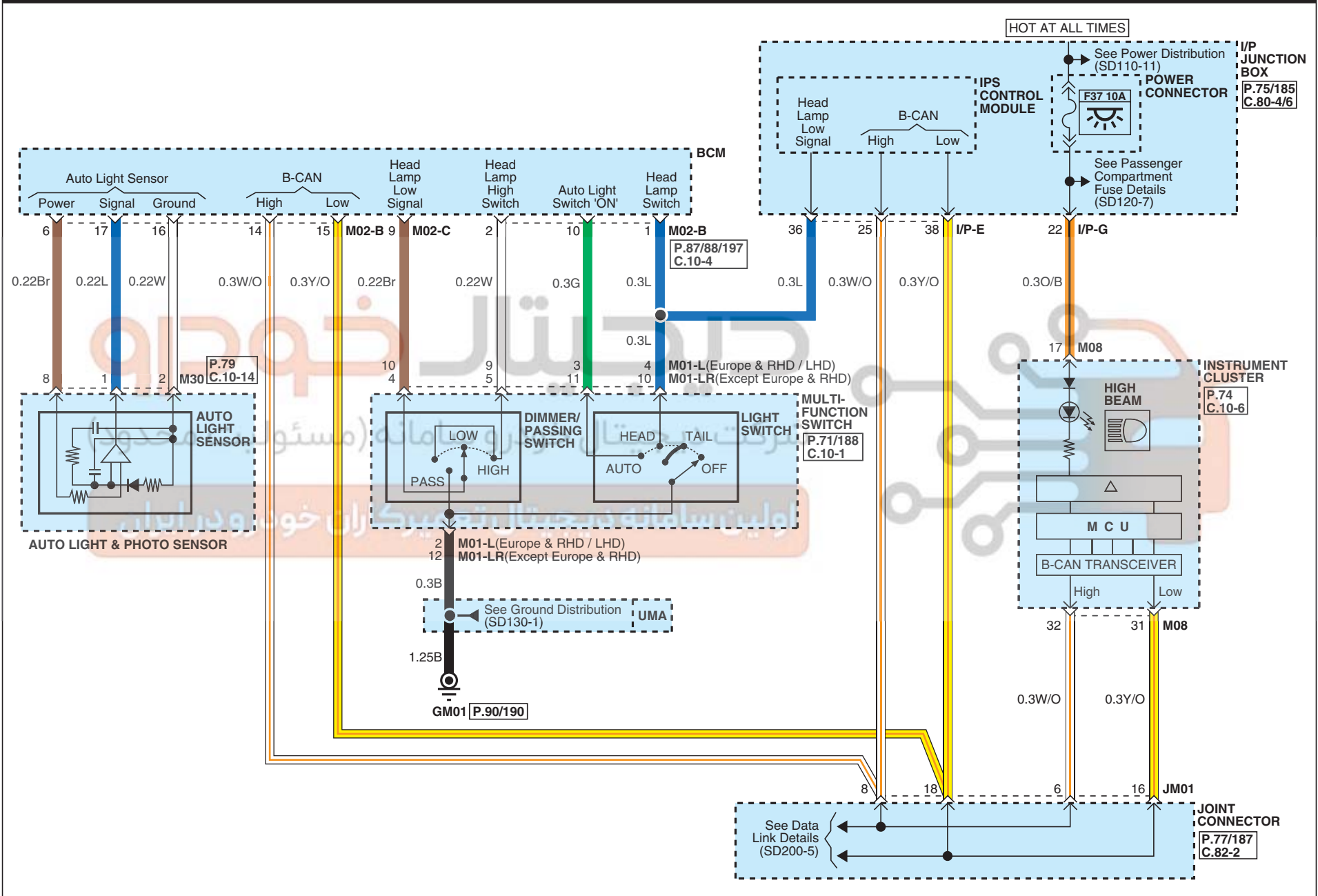
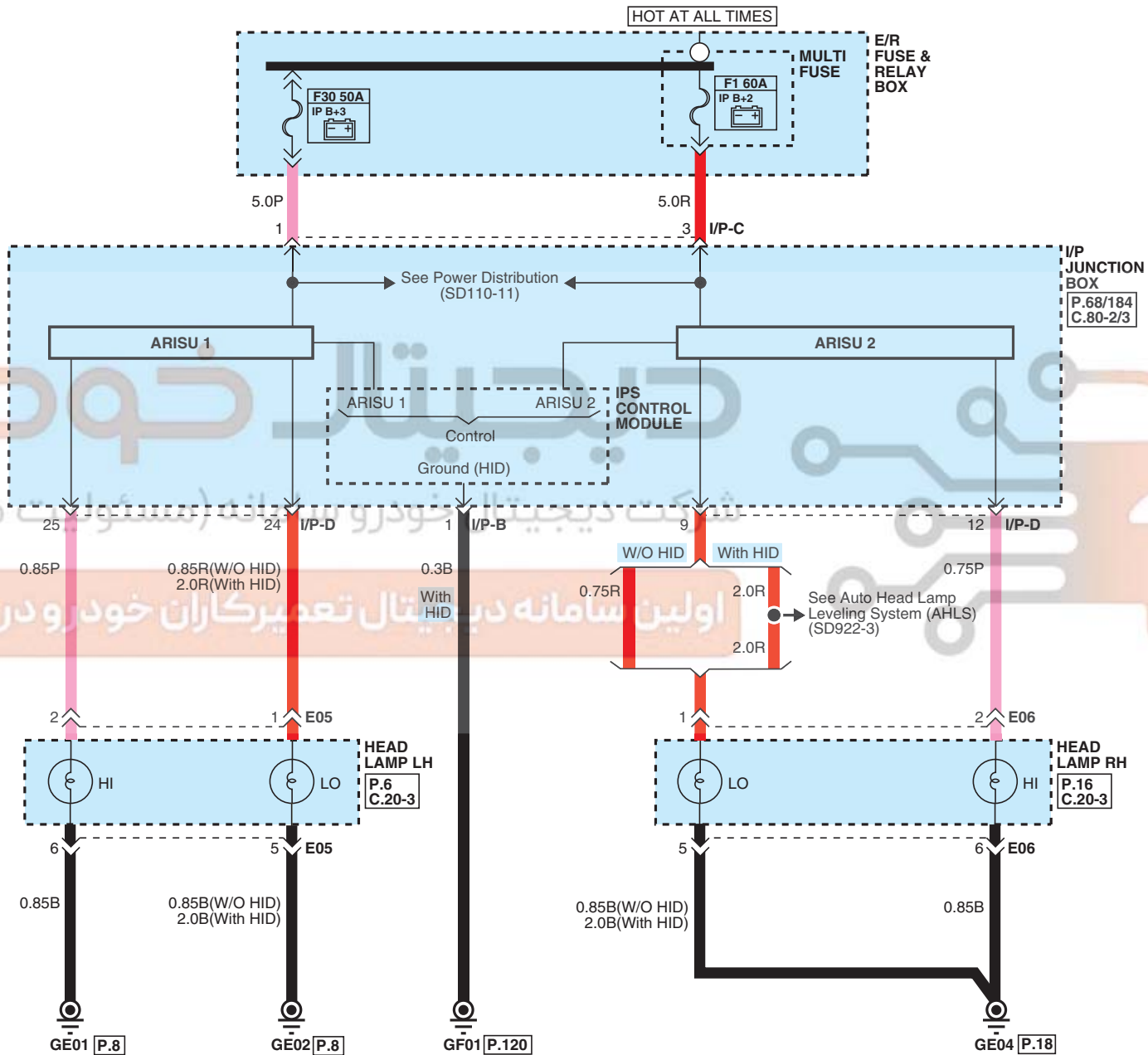


Auto Lights (1) SD951-1



Auto Lights (2)

SD951-2



Auto Lights

Service Tips (1)

Circuit Description

System is controlled through the data input and output process between each module with network. Head lamps are controlled using IPS control module and ARISU 1, 2 in I/P junction box.

To operate the Auto lights, the ignition switch must be in the ON position or higher. Lights switch Auto mode automatically controls the head lamp and tail lamp depends on driving condition (rain, snow, night, tunnel) using the auto lights & photo sensor which detects brightness of surrounding the vehicle.

※ **Caution**

1. Do not place anything over the sensor.
2. In fog, rain or cloudy weather, use manual mode.
3. Auto lights ON/OFF time will changed depend on surrounding environment (weather, climate).
4. Use this mode for sunrise and sunset. Control the lamp ON/OFF switch manually.
5. If the glass of the vehicle is filmed or tinted, it may causes the sensor malfunction.

• **Dimmer/ Passing Switch : LOW**

In the light switch AUTO position, when the dimmer/passing switch is placed in LOW, BCM received signal and transmit it to IPS control module through the CAN communication. IPS control module control ARISU 1, 2 to turn on the head lamp (LOW). Result of control and diagnosis is send to BCM through the CAN communication.

• **Dimmer/ Passing Switch : HIGH**

In the light switch AUTO position, when the dimmer/passing switch is placed in HIGH, BCM received signal and transmit it to IPS control module and cluster instrument through the CAN communication. MCU in cluster instrument turn on the high beam indicator, and IPS control module control ARISU 1, 2 to turn on the head lamp (HIGH). Result of control and diagnosis is send to BCM through the CAN communication.

• **Dimmer/ Passing Switch : PASS**

It can be operated regardless of the light switch HEAD position. Pull the dimmer/passing switch toward the driver 2~3 times to warn other vehicles and to turn on the high beam indicator light on the instrument cluster and head lamp.

• **Control Function - CAN FAIL**

If CAN is fail and ignition switch is ON, I/P junction box turn ON the head lamp (LOW) by force for driver safety.

• **Multifunction Switch Inspection**

Check for continuity between terminals at each position of the multifunction switch. If it doesn't have continuity, replace the multifunction switch.

[Lighting switch]

Terminal Position	1 (13)	2 (12)	4 (10)	3 (11)
OFF				
Tail	○	○		
H/Lamp	○	○	○	
AUTO	○			○

※ () : Except Europe & RHD

[Dimmer/Passing Switch]

Terminal Position	10 (4)	8 (6)	9 (5)	2 (12)
HU	○		○	
HL	○	○		
P	○		○	○

※ () : Except Europe & RHD

HU : Head lamp high beam

HL : Head lamp low beam

P : Head lamp passing switch

MEMO

دیجیتال خودرو

شرکت دیجیتال خودرو سامانه (مسئولیت محدود)

اولین سامانه دیجیتال تعمیرکاران خودرو در ایران

