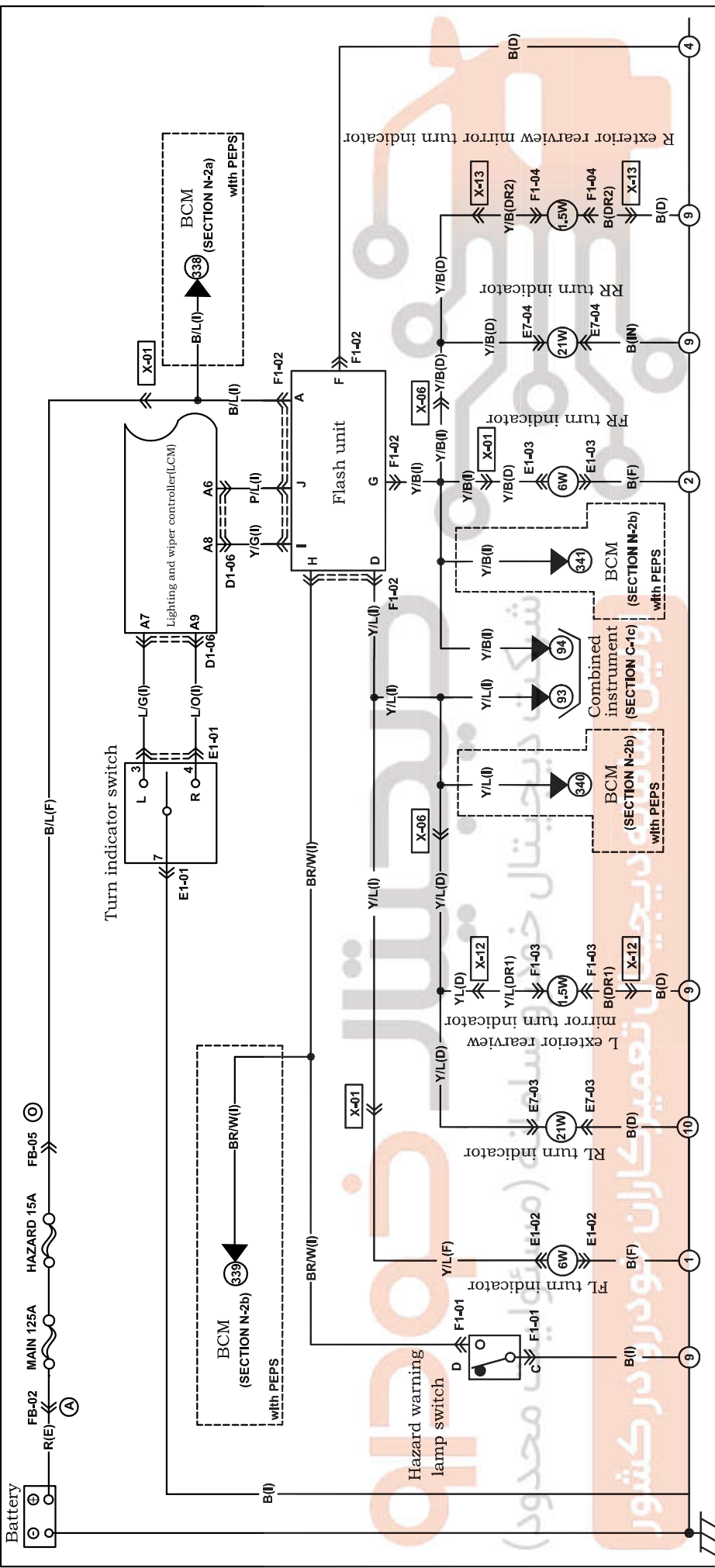


Turn indicator and hazard warning lamp



<p><b>E7-04</b> RR turn indicator (D)</p>	<p><b>F1-02</b> Flash unit (D)</p>	<p><b>E1-02</b> FL turn indicator (F)</p>	<p><b>E1-03</b> FR turn indicator (F)</p>	<p><b>E7-03</b> RL turn indicator (D)</p>
<p><b>F1-03</b> L exterior rearview mirror turn indicator (DR1)</p>	<p><b>F1-04</b> R exterior rearview mirror turn indicator (DR2)</p>	<p><b>E1-01</b> Turn indicator switch (I)</p>	<p><b>D1-06</b> Lighting and wiper controller (I)</p>	<p><b>F1-01</b> Hazard warning lamp switch (I)</p>