

# Driveshaft and Axle

## GENERAL

### FRONT AXLE

FRONT HUB / KNUCKLE

### DRIVESHAFT

FRONT DRIVESHAFT ASSEMBLY  
FRONT DRIVESHAFT (PTJ-BJ TYPE)  
FRONT DRIVESHAFT (SFJ-BJ TYPE)

### REAR AXLE

REAR HUB / CARRIER

### REAR DRIVESHAFT ASSEMBLY

REAR DRIVESHAFT (DOJ-BJ TYPE)

### PROPELLER SHAFT ASSEMBLY

PROPELLER SHAFT

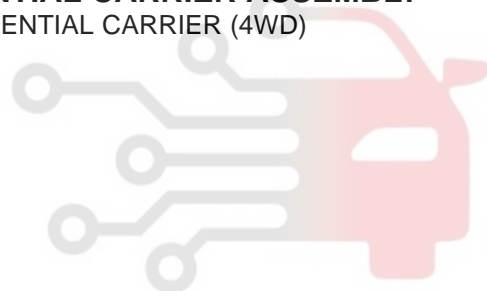
### DIFFERENTIAL CARRIER ASSEMBLY

DIFFERENTIAL CARRIER (4WD)

دیجیتال خودرو

شرکت دیجیتال خودرو سامانه (مسئولیت محدود)

اولین سامانه دیجیتال تعمیرکاران خودرو در ایران



DS -2

DRIVESHAFT AND AXLE

**GENERAL****SPECIFICATION** EDA421A7

Items		Inner side	Outer side	
Front driveshaft	Diesel 2.2 M/T 2WD/4WD, Diesel 2.2 A/T 2WD/4WD, Gasoline 2.7 A/T 2WD	Joint type	PTJ	BJ
		Max. permissible angle	21°	46°
	Gasoline 2.7 A/T 4WD, Gasoline 2.7 M/T 2WD/4WD	Joint type	SFJ	BJ
		Max. permissible angle	21°	46°
Rear driveshaft	Joint type	DOJ	BJ	
	Max. permissible angle	22°	46°	
Differential	Oil type	Hypoid gear oil (API GL-5, SAE 75W/90)		
	Oil capacity (L)	About 0.9		
	Reduction gear type	Hypoid gear		
	Reduction gear ratio	3.818		
	Final drive gear backlash mm(in.)	0.10 ~ 0.15 (0.0039 ~ 0.0059)		
	Differential gear backlash mm(in.)	0 ~ 0.05 (0 ~ 0.0020)		

BJ : Birfield Joint

DOJ : Double Offset Joint

PTJ : Pillow journal Tri-pot Joint

SFJ : Shudderless Free-ring Joint

## GENERAL

DS -3

## TIGHTENING TORQUE

Items		Nm	Kgf-m	lb-ft
Front	Wheel nut	88.3~107.9	9~11	65.1~79.6
	Driveshaft castle nut	196.1~255.0	20~26	144.7~188.1
	Strut assembly lower mounting bolt	152.0~171.6	15.5~17.5	112.1~126.6
	Inner shaft bearing bracket bolt	49.0~68.6	5~7	36.2~50.6
	Brake caliper mounting bolt	78.5~98.1	8~10	57.9~72.3
	Wheel speed sensor mounting bolt	6.9~10.8	0.7~1.1	5.1~8.0
	Brake disc mounting screw	4.9~5.9	0.5~0.6	3.6~4.3
	Hub assembly mounting bolt	78.5~98.1	8~10	57.9~72.3
	Lower arm ball joint mounting bolt	98.1~117.7	10~12	72.3~86.8
	Tie rod end ball joint mounting nut	23.5~33.3	2.4~3.4	17.4~24.6
Rear	Wheel nut	88.3~107.9	9~11	65.1~79.6
	Driveshaft castle nut	196.1~255.0	20~26	144.7~188.1
	Shock absorber upper mounting bolt	137.3~156.9	14~16	101.3~115.7
	Shock absorber lower mounting nut	98.1~117.7	10~12	72.3~86.8
	Brake caliper mounting bolt	63.7~73.5	6.5~7.5	47.0~54.2
	Wheel speed sensor mounting bolt	6.9~10.8	0.7~1.1	5.1~8.0
	Brake disc mounting screw	4.9~5.9	0.5~0.6	3.6~4.3
	Hub assembly mounting bolt	78.5~88.3	8~9	57.9~65.1
	Upper arm ball joint mounting nut	78.5~88.3	8~9	57.9~65.1
	Lower arm mounting bolt	137.3~156.9	14~16	101.3~115.7
	Assist arm ball joint mounting nut	98.1~117.7	10~12	72.3~86.8
	Trailing arm mounting bolt	137.3~156.9	14~16	101.3~115.7
Propeller shaft	Front propeller shaft mounting bolt	49.0~68.6	5~7	36.2~50.6
	Propeller shaft center bearing bracket mounting bolt	39.2~49.0	4~5	28.9~36.2
	Rear propeller shaft mounting bolt	49.0~68.6	5~7	36.2~50.6
Differential	Rear differential mounting bolt	68.6~88.3	7~9	50.6~65.1
	Differential cover mounting bolt	39.2~49.0	4~5	28.9~36.2

 CAUTION

Replace self-locking nuts with new ones after removal.

DS -4

DRIVESHAFT AND AXLE

LUBRICANTS E905F5BE

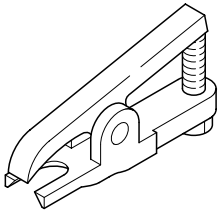
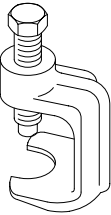
Items		Lubricants	Quantity	
Front driveshaft	Diesel 2.2 M/T 2WD/4WD, Diesel 2.2 A/T 2WD/4WD, Gasoline 2.7 A/T 2WD	BJ	ROLLUBE BJ	155 ± 10g
		PTJ	MX13KT	220 ± 10g
	Gasoline 2.7 A/T 4WD, Gasoline 2.7 M/T 2WD/4WD	BJ	ROLLUBE BJ	155 ± 10g
		SFJ	STAMINA 0233B	220 ± 10g
Rear driveshaft		BJ	ROLLUBE BJ	110 ± 6g
		DOJ	Amblygon TA10/2A	100 ± 6g

SPECIAL TOOLS EA6CFD5D

Tool(Number and Name)	Illustration	Use
09495-33000 Puller	A mechanical puller tool with a central threaded rod and a base plate with four legs.	Removal of spider assembly from a drive shaft.
09517-43101 Working base	A four-legged metal stand with a circular top plate.	Support for the differential carrier
09517-43500 Adapter	Three small metal components: a U-shaped bracket, a small rectangular plate, and a longer rectangular plate with a hole.	Support for the differential carrier (Use with 09517-43101)
09495-3K000 Band installer	A pair of long-handled pliers with curved jaws.	Installation of ear type boot band

## GENERAL

DS -5

09568-34000 Ball joint remover	 E6834000	Removal of the rear upper arm ball joint
09568-4A000 Ball joint remover	 KPRE103I	Removal of the front lower arm and tie rod end ball joint

# دیجیتال خودرو

شرکت دیجیتال خودرو سامانه (مسئولیت محدود)

اولین سامانه دیجیتال تعمیرکاران خودرو در ایران



## DS -6

## DRIVESHAFT AND AXLE

## TROUBLESHOOTING

E9DF00E5

Trouble Symptom	Probable cause	Remedy
Vehicle pulls to one side	Scoring of driveshaft ball joint	Replace
	Wear, rattle or scoring of wheel bearing	Replace
	Defective front suspension and steering	Adjustment or Replace
Vibration	Wear, damage or bending of driveshaft	Replace
	Driveshaft rattle and hub serration	Replace
	Wear, rattle or scratching of wheel bearing	Replace
Shimmy	Defective wheel balance	Adjustment or Replace
	Defective front suspension and steering	Adjustment or Replace
Excessive noise	Wear, damage or bending of driveshaft	Replace
	Rattle of driveshaft and worn hub splines	Replace
	Wear, rattle or scoring of wheel bearing	Replace
	Loose hub nut	Adjustment or Replace
	Defective front suspension and steering	Adjustment or Replace

شرکت دیجیتال خودرو (مسئولیت محدود)

اولین سامانه دیجیتال تعمیرکاران خودرو در ایران

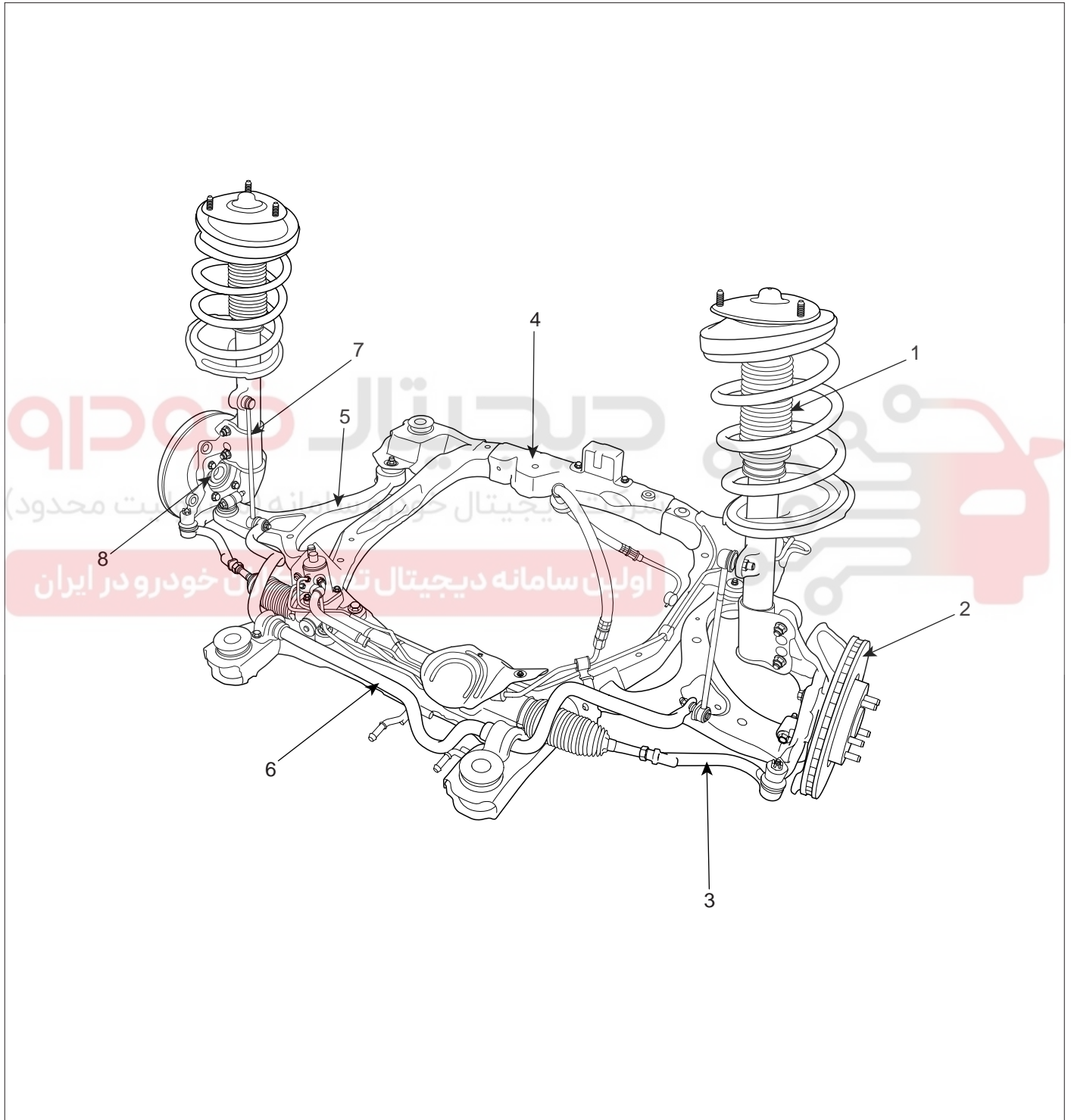
FRONT AXLE

DS -7

# FRONT AXLE

## FRONT HUB / KNUCKLE

### COMPONENT LOCATION EB2E0DEC

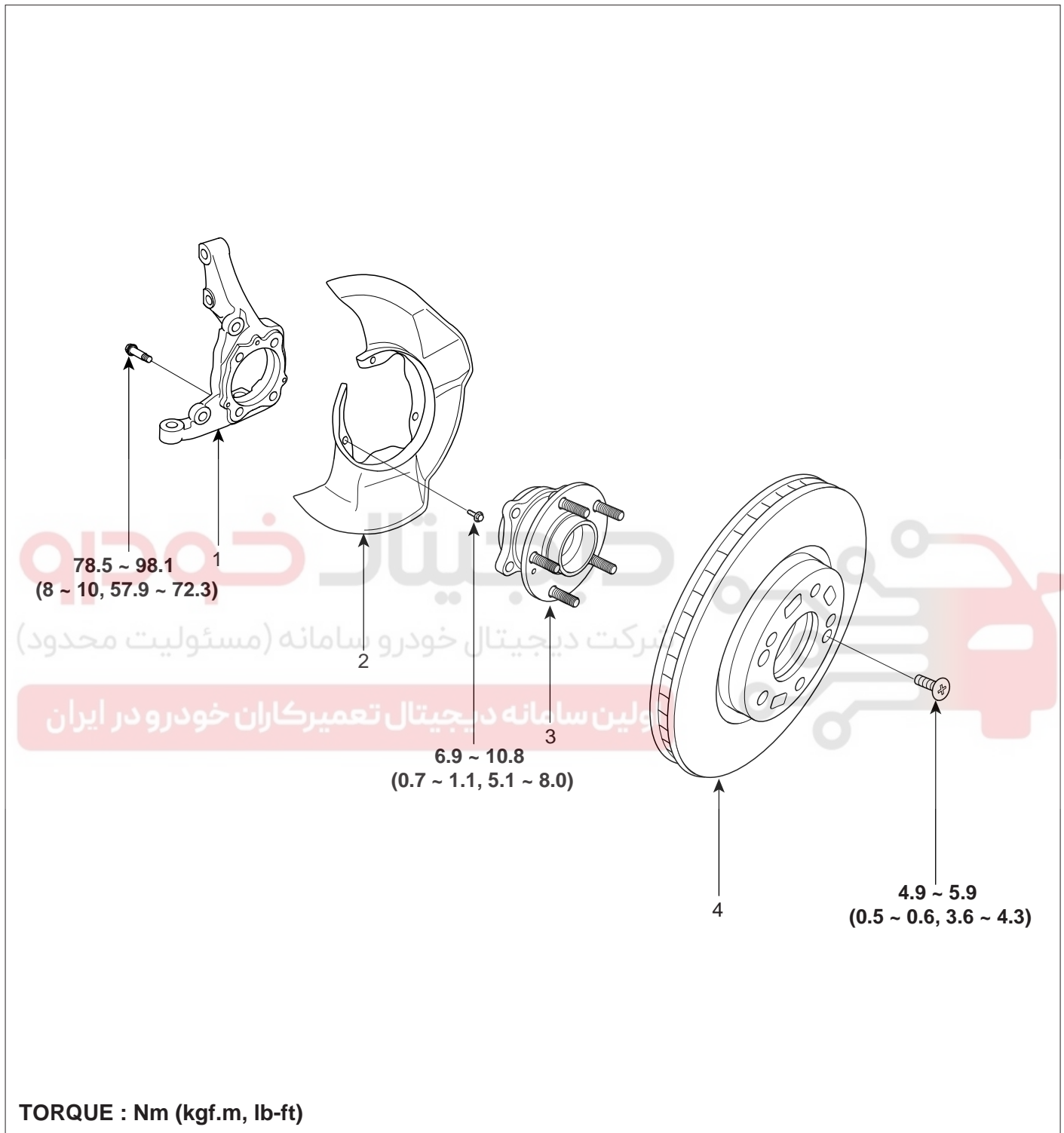


- 1. Front strut assembly
- 2. Front disc
- 3. Tie rod end assembly
- 4. Front subframe

- 5. Front lower arm
- 6. Front stabilizer bar assembly
- 7. Front stabilizer link assembly
- 8. Front knuckle assembly

SCMDS6500L

COMPONENTS E72B2FAD



- 1. Knuckle
- 2. Dust cover

- 3. Hub assembly
- 4. Brake disc

SCMDS6501L

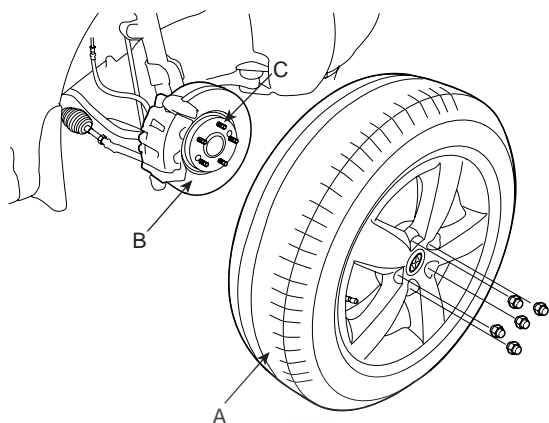


FRONT AXLE

DS -9

REMOVAL E53ADA59

1. Loosen the wheel nuts slightly.  
Raise the vehicle, and make sure it is securely supported.
2. Remove the front wheel and tire (A) from the front hub (B).

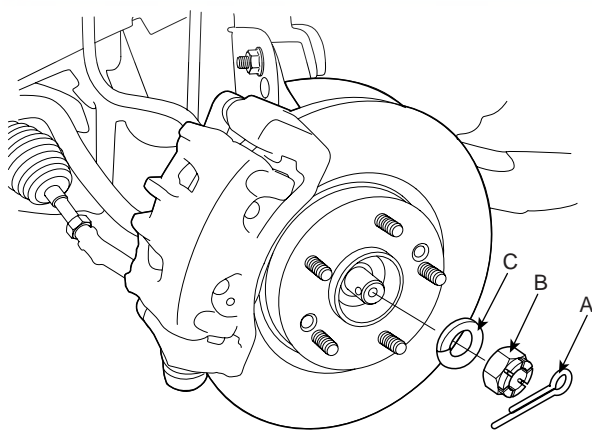


SCMDS6003D

**CAUTION**

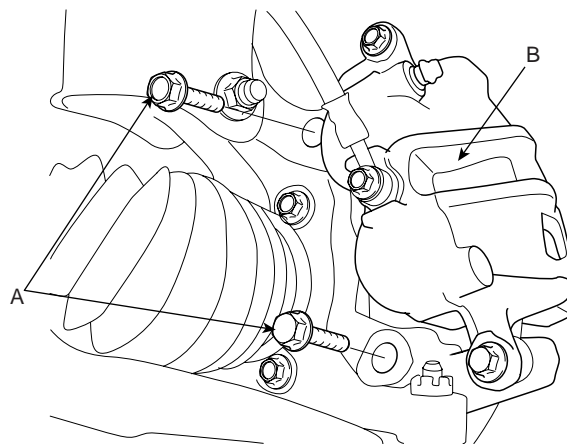
Be careful not to damage to the hub bolts (C) when removing the front wheel and tire (A).

3. Remove the split pin (A), then remove castle nut (B) and washer (C) from the front hub under applying the brake.



SCMDS6004D

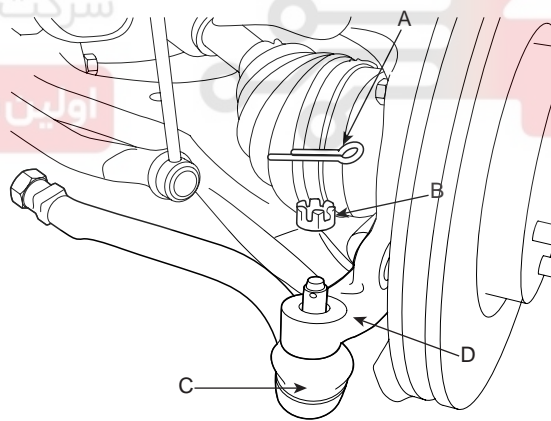
4. Remove the brake caliper mounting bolts (A), and then place the brake caliper assembly (B) with wire.



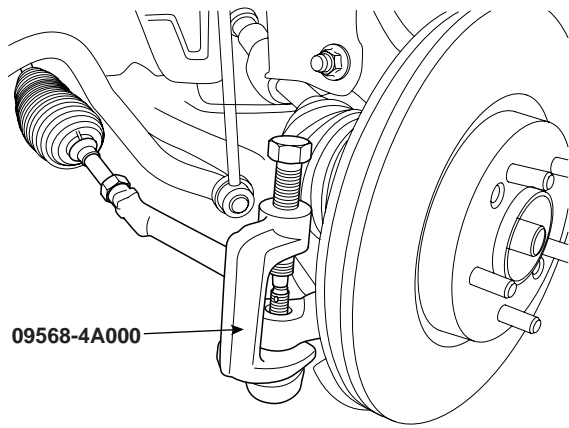
SCMDS6005D

5. Remove the tie rod end ball joint from the knuckle.

- 1) Remove the split pin (A).
- 2) Remove the castle nut (B).
- 3) Disconnect the ball joint (C) from knuckle (D) using the special tool (09568-4A000).



SCMDS6006D

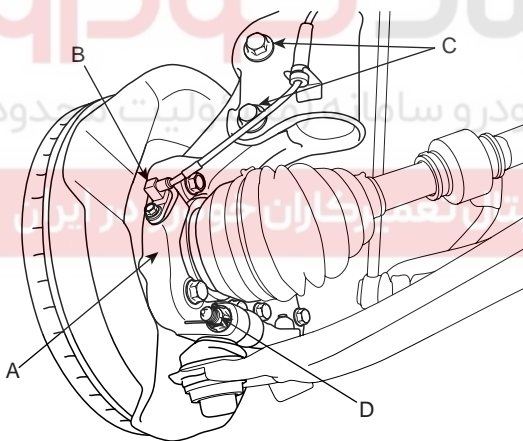


SCMDS6007D

**CAUTION**

Apply a few drops of oil to the special tool. (Boot contact part)

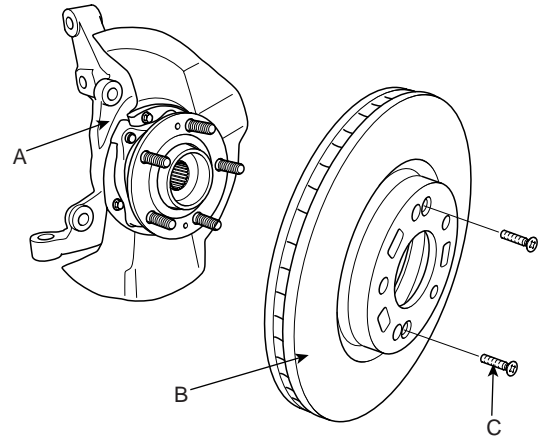
- Remove the wheel speed sensor (B), the strut lower mounting bolt (C) and the lower arm mounting bolt (D) from the knuckle (A).



SCMDS6008D

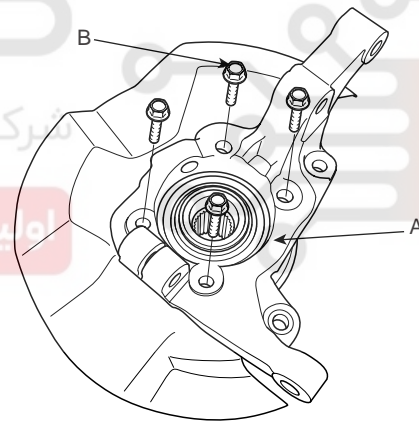
**DISASSEMBLY** E57FBCCD

- Remove the brake disc (B) from the knuckle assembly (A).



SCMDS6009D

- Remove the hub assembly mounting bolts (B) from the knuckle (A).



SCMDS6010D

- Remove the hub and knuckle assembly.

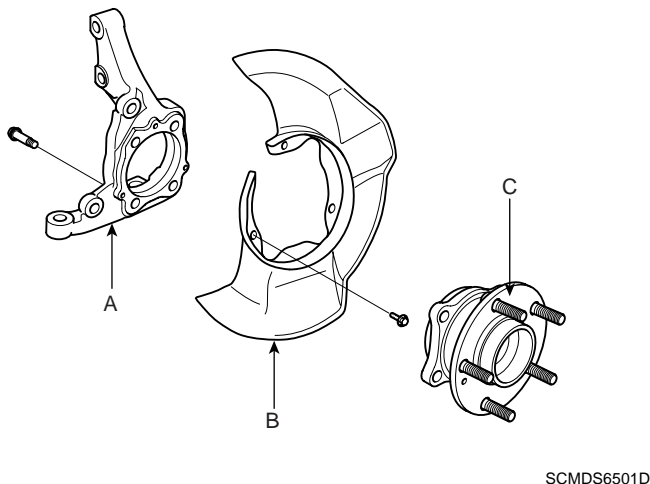
**CAUTION**

Be careful not to damage the boot and rotor teeth.

FRONT AXLE

DS -11

- Remove the hub assembly (C) and the dust cover (B) from the knuckle (A).



**CAUTION**

Do not disassemble the hub assembly.

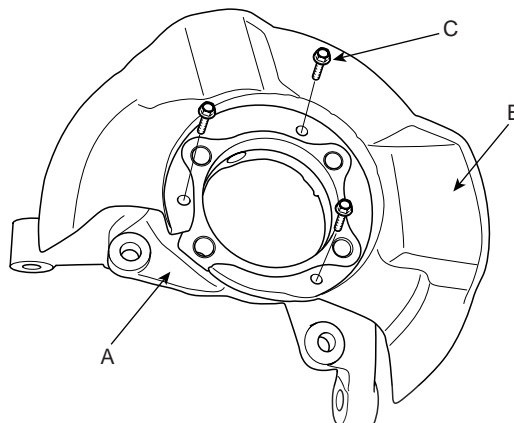
INSPECTION EDD59A61

- Check the hub for cracks and the splines for wear.
- Check the brake disc for scoring and damage.
- Check the knuckle for cracks.
- Check the bearing for cracks or damage.

REASSEMBLY E0EE0855

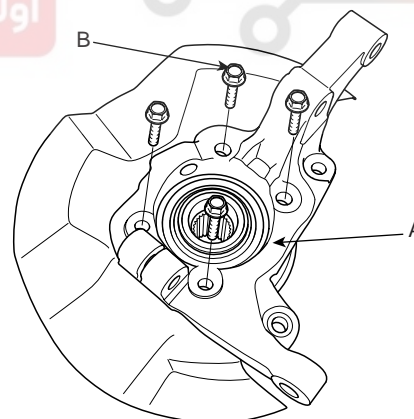
- Install the dust cover (B) to the knuckle (A) and then tighten the mounting bolt (C).

**Tightening torque Nm (kgf-m, lb-ft) :**  
6.9~10.8 (0.7~1.1, 5.1~8.0)



- Install the hub assembly to the knuckle (A) and then tighten the mounting bolt (B).

**Tightening torque Nm (kgf-m, lb-ft) :**  
78.5~98.1 (8~10, 57.9~72.3)

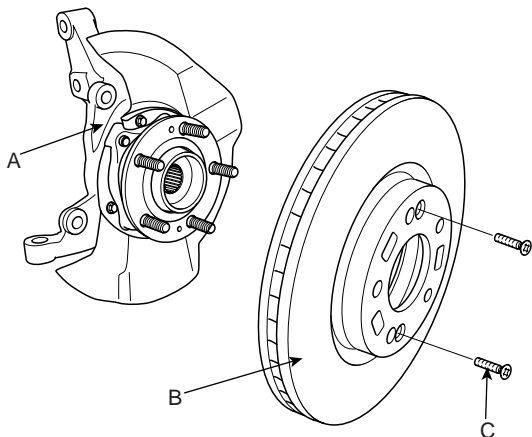


DS -12

DRIVESHAFT AND AXLE

3. Install the brake disc (B) to the knuckle assembly (A).

**Tightening torque Nm (kgf-m, lb-ft) :**  
Screw(C): 4.9~5.9 (0.5~0.6, 3.6~4.3)



SCMDS6009D

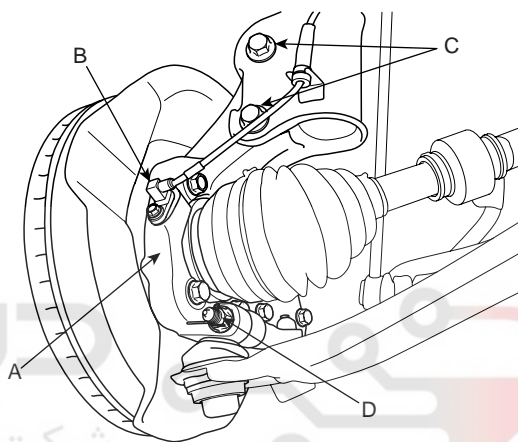
**INSTALLATION**

E7AFB226

1. Install the hub and knuckle assembly.
2. Install the wheel speed sensor (B), the strut lower mounting bolt (C) and the lower arm mounting bolt (D) from the knuckle (A).

**Tightening torque Nm (kgf-m, lb-ft) :**

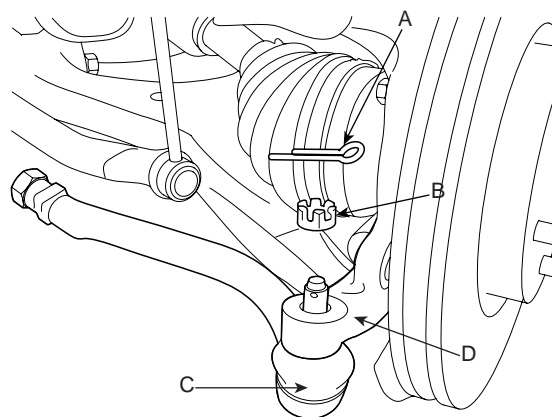
Wheel speed sensor (B):  
6.9~10.8 (0.7~1.1, 5.1~8.0)  
Bolts (C): 152.0~171.6 (15.5~17.5, 112.1~126.6)  
Bolt (D) : 98.1~117.7 (10~12, 72.3~86.8)



SCMDS6008D

3. Install the tie rod end ball joint (C) to the knuckle (D).
4. Install the castle nut (B) and the split pin (A).

**Tightening torque Nm (kgf-m, lb-ft) :**  
23.5~33.3 (2.4~3.4, 17.4~24.6)

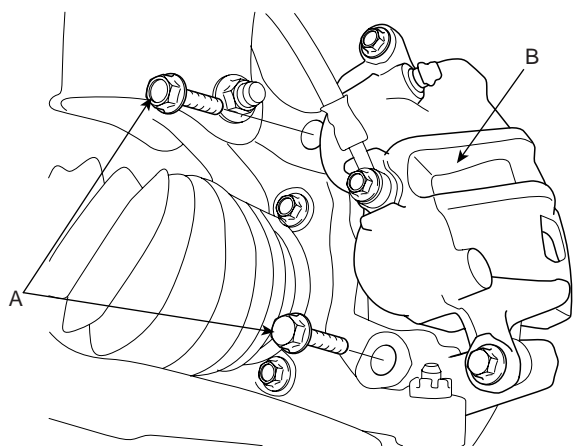


SCMDS6006D

**FRONT AXLE**

5. Install the brake caliper (B) and then tighten the mounting bolts (A).

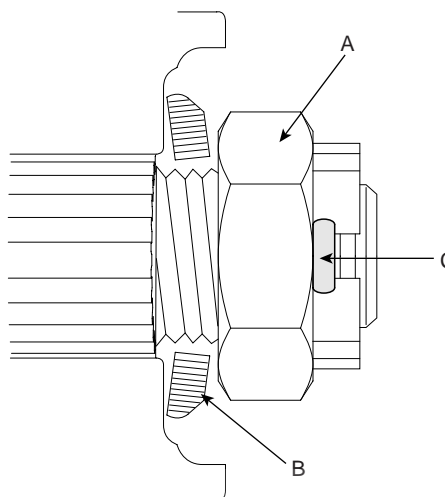
**Tightening torque Nm (kgf-m, lb-ft) :**  
78.5~98.1 (8~10, 57.9~72.3)



SCMDS6005D

**⚠ CAUTION**

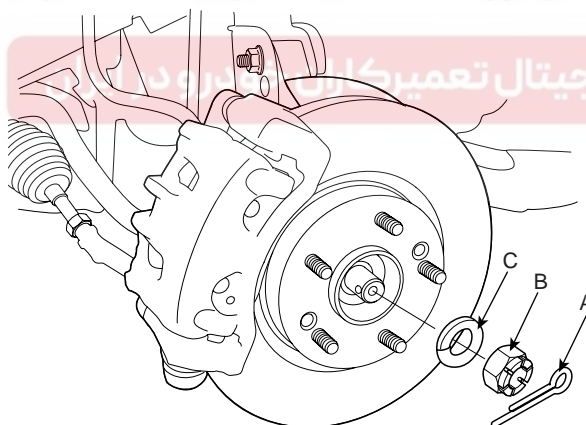
*The washer (B) should be assembled with convex surface outward when installing the castle nut(A) and split pin (C).*



EIKD010A

6. Install the washer (C), castle nut (B) and split pin (A) to the front hub assembly.

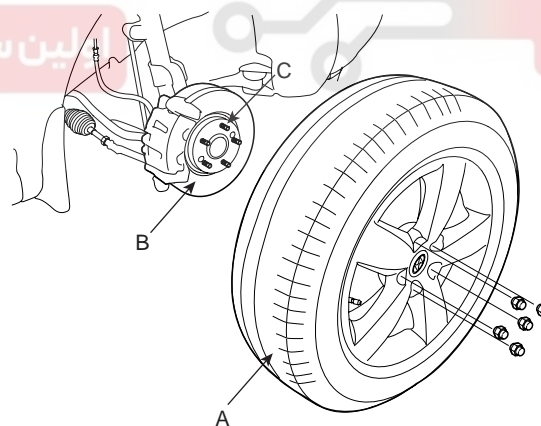
**Tightening torque Nm (kgf-m, lb-ft) :**  
196.1~255.0 (20~26, 144.7~188.1)



SCMDS6004D

7. Install the wheel and tire (A) to the front hub (B).

**Tightening torque Nm (kgf-m, lb-ft) :**  
88.3~107.9 (9~11, 65.1~79.6)



SCMDS6003D

**⚠ CAUTION**

*Be careful not to damage the hub bolts (C) when installing the front wheel and tire (A).*

DS -14

DRIVESHAFT AND AXLE

# DRIVESHAFT

## FRONT DRIVESHAFT ASSEMBLY

COMPONENT E2AF3468



- 1. Driveshaft (LH)
- 2. Circlip
- 3. Inner shaft bearing bracket assembly
- 4. Circlip
- 5. Driveshaft (RH)

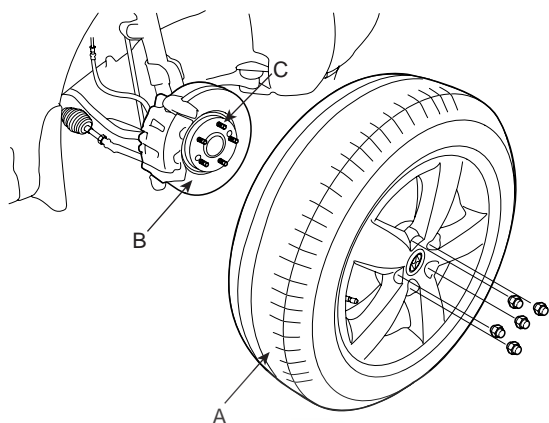
SCMDS6502L

DRIVESHAFT

DS -15

REMOVAL E705BCB8

1. Loosen the wheel nuts slightly.  
Raise the vehicle, and make sure it is securely supported.
2. Remove the front wheel and tire (A) from the front hub (B).

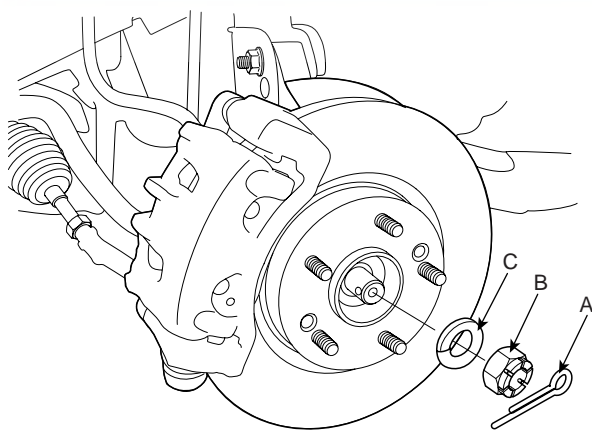


SCMDS6003D

**CAUTION**

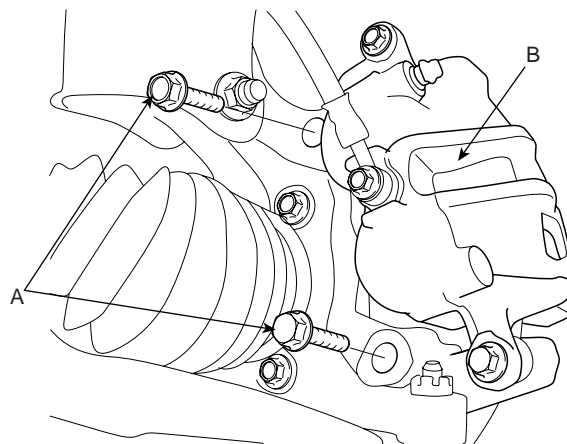
Be careful not to damage to the hub bolts (C) when removing the front wheel and tire (A).

3. Remove the split pin (A), then remove castle nut (B) and washer (C) from the front hub under applying the brake.



SCMDS6004D

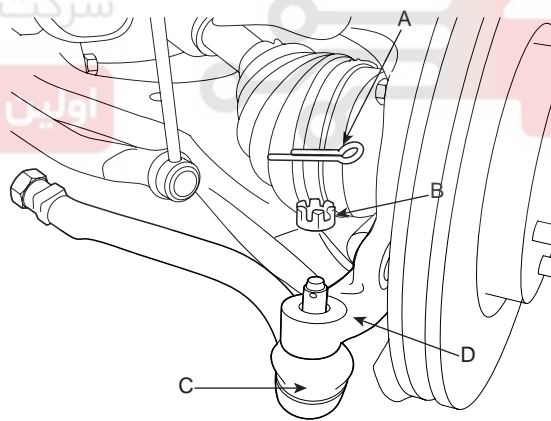
4. Remove the brake caliper mounting bolts (A), and then place the brake caliper assembly (B) with wire.



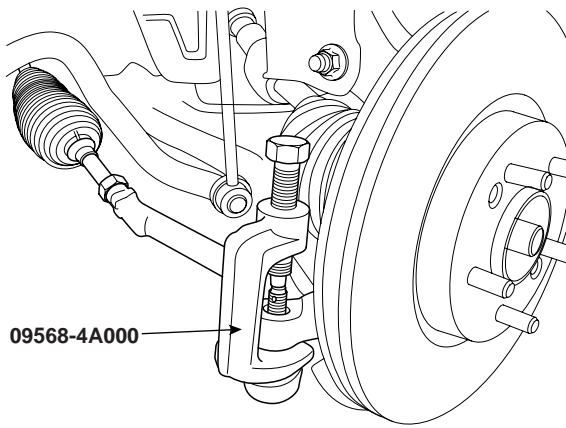
SCMDS6005D

5. Remove the tie rod end ball joint from the knuckle.

- 1) Remove the split pin (A).
- 2) Remove the castle nut (B).
- 3) Disconnect the ball joint (C) from knuckle (D) using the special tool (09568-4A000).



SCMDS6006D



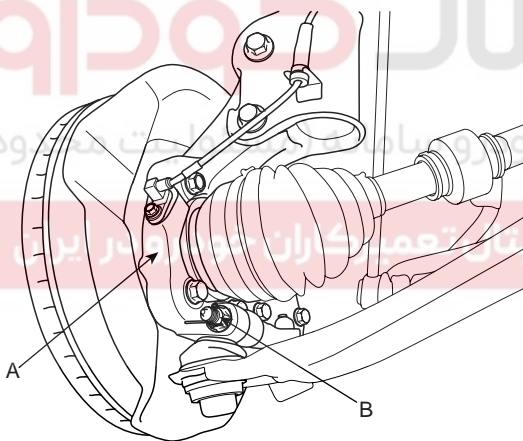
09568-4A000

SCMDS6007D

**CAUTION**

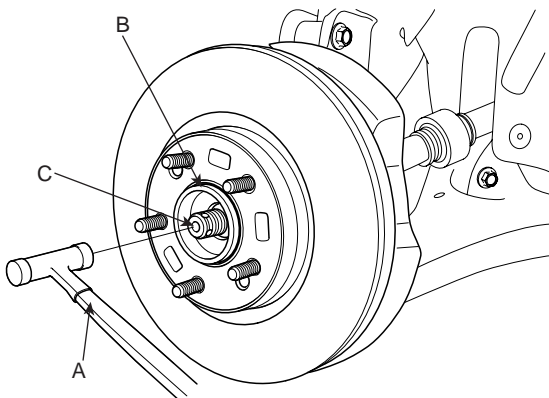
Apply a few drops of oil to the special tool. (Boot contact part)

- Remove the split pin and the lower arm mounting bolt (B) from the knuckle (A).



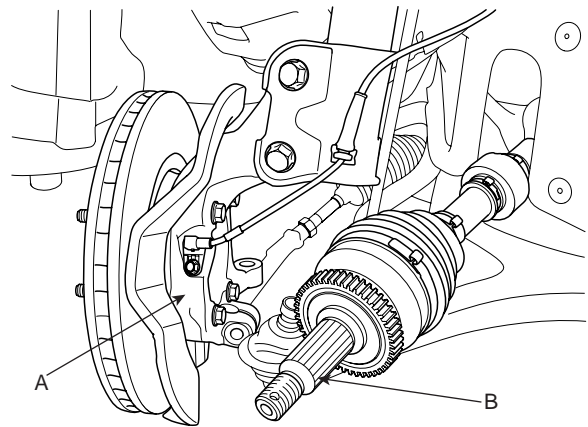
SCMDS6051D

- Using a plastic hammer (A), disconnect driveshaft (C) from the axle hub (B).



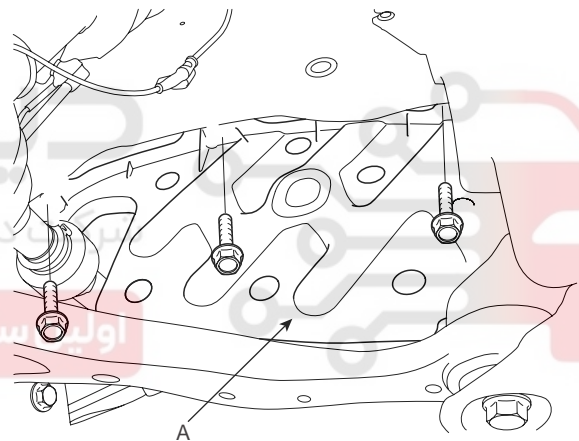
SCMDS6040D

- Push the axle hub (A) outward and separate the drive-shaft (B) from the axle hub (A).



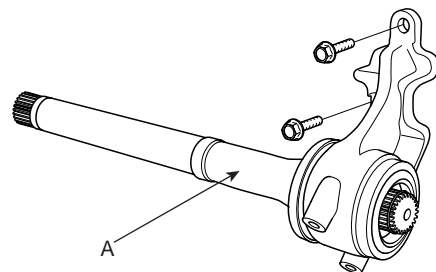
SCMDS6012D

- Remove the dust cover (A). (RH side)



SCMDS6013D

- Remove the mounting bolts of inner shaft bearing bracket assembly (A).



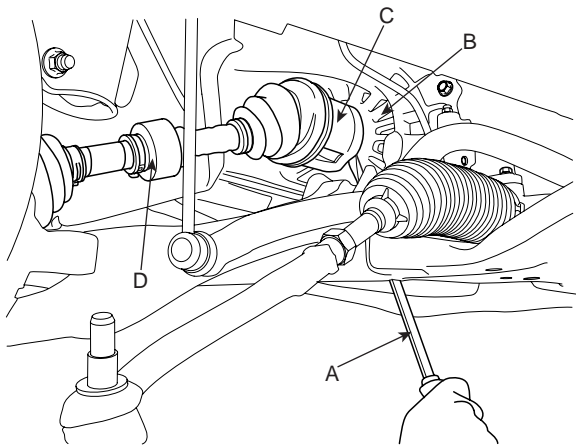
SCMDS6015D



## DRIVESHAFT

DS -17

11. Insert a pry bar (A) between the transaxle case (B) and joint case (C), and separate the driveshaft (D) from the transaxle case.



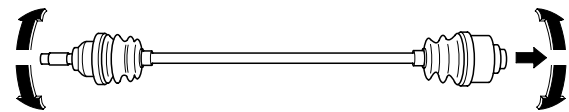
SCMDS6016D

**CAUTION**

- Use a pry bar (A) being careful not to damage the transaxle and joint.
- Do not insert the pry bar (A) too deep, as this may cause damage to the oil seal.
- Do not pull the driveshaft by excessive force it may cause components inside the joint kit to dislodge resulting in a torn boot or a damaged bearing.
- Plug the hole of the transaxle case with the oil seal cap to prevent contamination.
- Support the driveshaft properly.
- Replace the retainer ring whenever the driveshaft is removed from the transaxle case.

## INSPECTION EDCDABC7

1. Check the driveshaft boots for damage and deterioration.
2. Check the ball joint for wear and damage.
3. Check the splines for wear and damage.
4. Check the dynamic damper for cracks, wear and position.



EIKD019A

5. Check the driveshaft for cracks and wears.

DS -18

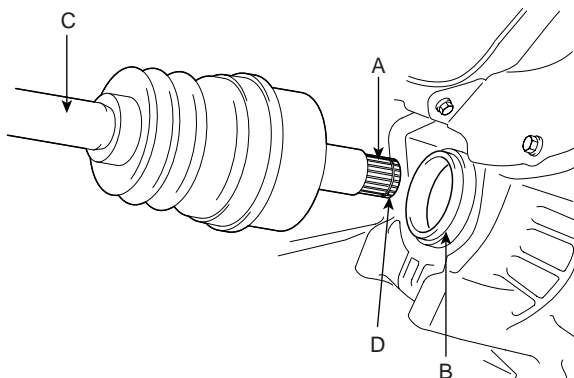
DRIVESHAFT AND AXLE

INSTALLATION ED821A44

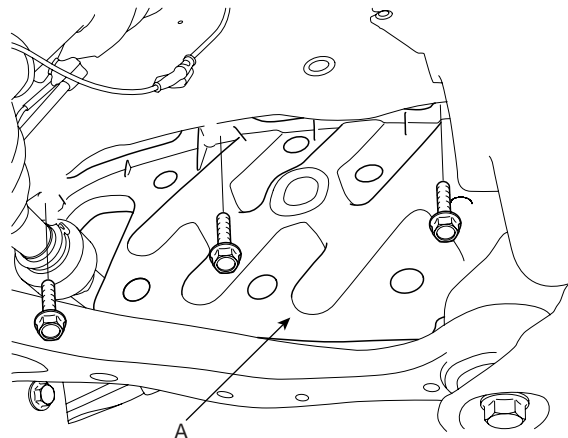
1. Apply gear oil on the oil seal contacting surface (B) of transaxle case and the driveshaft splines (A).

5. Install the dust cover (A). (RH side)

**Tightening torque Nm (kgf-m, lb-ft) :**  
7.8~11.8 (0.8~1.2, 5.8~8.7)



SCMDS6502D



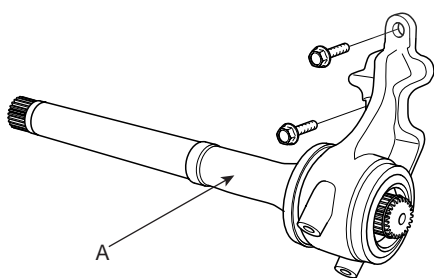
SCMDS6013D

2. Before installing the driveshaft (C), set the opening side of the circlip (D) facing downward.
3. After installation, check that the driveshaft (C) cannot be removed by hand.
4. Install the inner shaft bearing bracket assembly (A) and then tighten the mounting bolts.

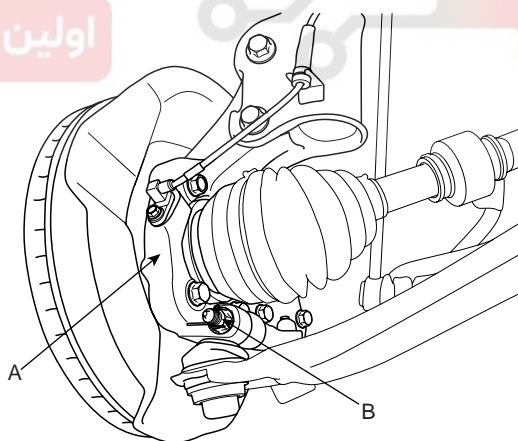
6. Install the driveshaft to the axle hub.
7. Install the lower arm mounting bolt (B) and the split pin to the knuckle (A).

**Tightening torque Nm (kgf-m, lb-ft) :**  
98.1~117.7 (10~12, 72.3~86.8)

**Tightening torque Nm (kgf-m, lb-ft) :**  
49.0~68.6 (5~7, 36.2~50.6)



SCMDS6015D



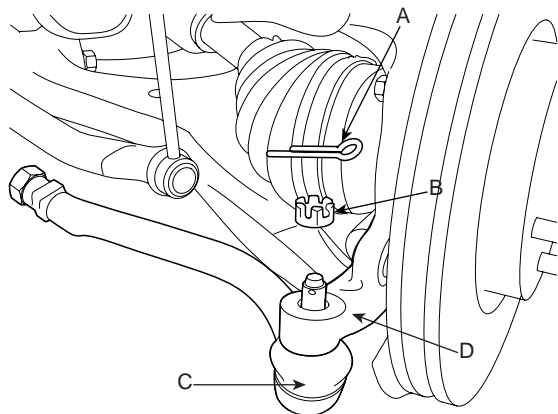
SCMDS6051D

**DRIVESHAFT**

**DS -19**

- 8. Install the tie rod end ball joint (C) to the knuckle (D).
- 9. Install the castle nut (B) and the split pin (A).

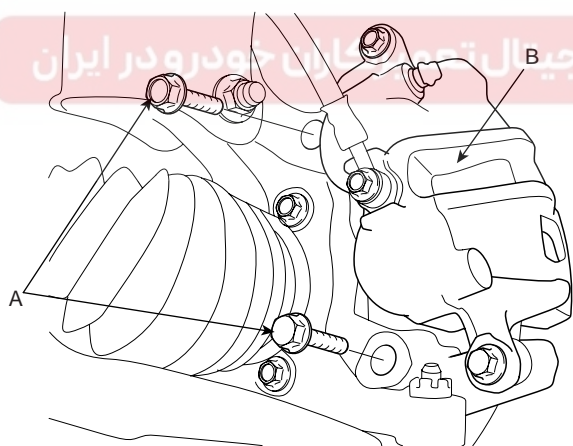
**Tightening torque Nm (kgf-m, lb-ft) :**  
23.5~33.3 (2.4~3.4, 17.4~24.6)



SCMDS6006D

- 10. Install the brake caliper (B) and then tighten the mounting bolts (A).

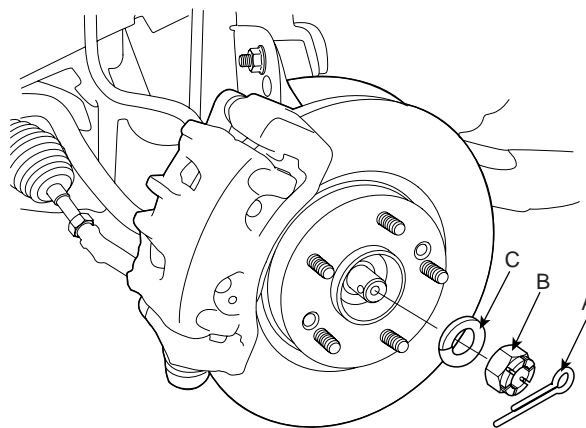
**Tightening torque Nm (kgf-m, lb-ft) :**  
78.5~98.1 (8~10, 57.9~72.3)



SCMDS6005D

- 11. Install the washer (C), castle nut (B) and split pin (A) to the front hub assembly.

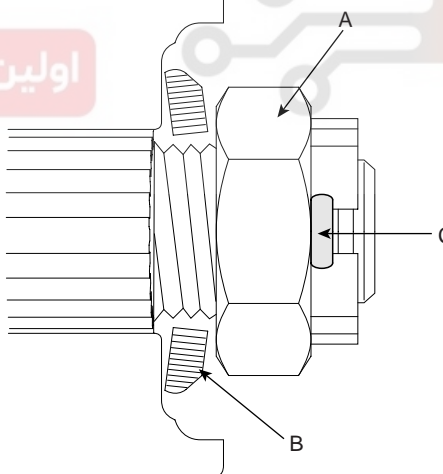
**Tightening torque Nm (kgf-m, lb-ft) :**  
196.1~255.0 (20~26, 144.7~188.1)



SCMDS6004D

**CAUTION**

*The washer (B) should be assembled with convex surface outward when installing the castle nut (A) and split pin (C).*



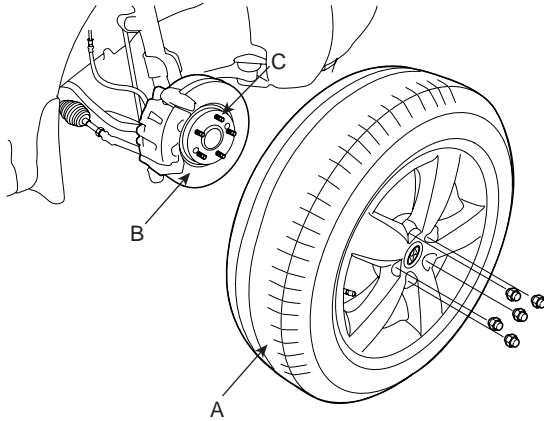
EIKD010A

## DS -20

## DRIVESHAFT AND AXLE

12. Install the wheel and tire (A) to the front hub (B).

**Tightening torque Nm (kgf-m, lb-ft) :**  
88.3~107.9 (9~11, 65.1~79.6)



SCMDS6003D

**⚠ CAUTION**

*Be careful not to damage the hub bolts (C) when installing the front wheel and tire (A).*

شرکت دیجیتال خودرو (مسئولیت محدود)

اولین سامانه دیجیتال تعمیرکاران خودرو در ایران

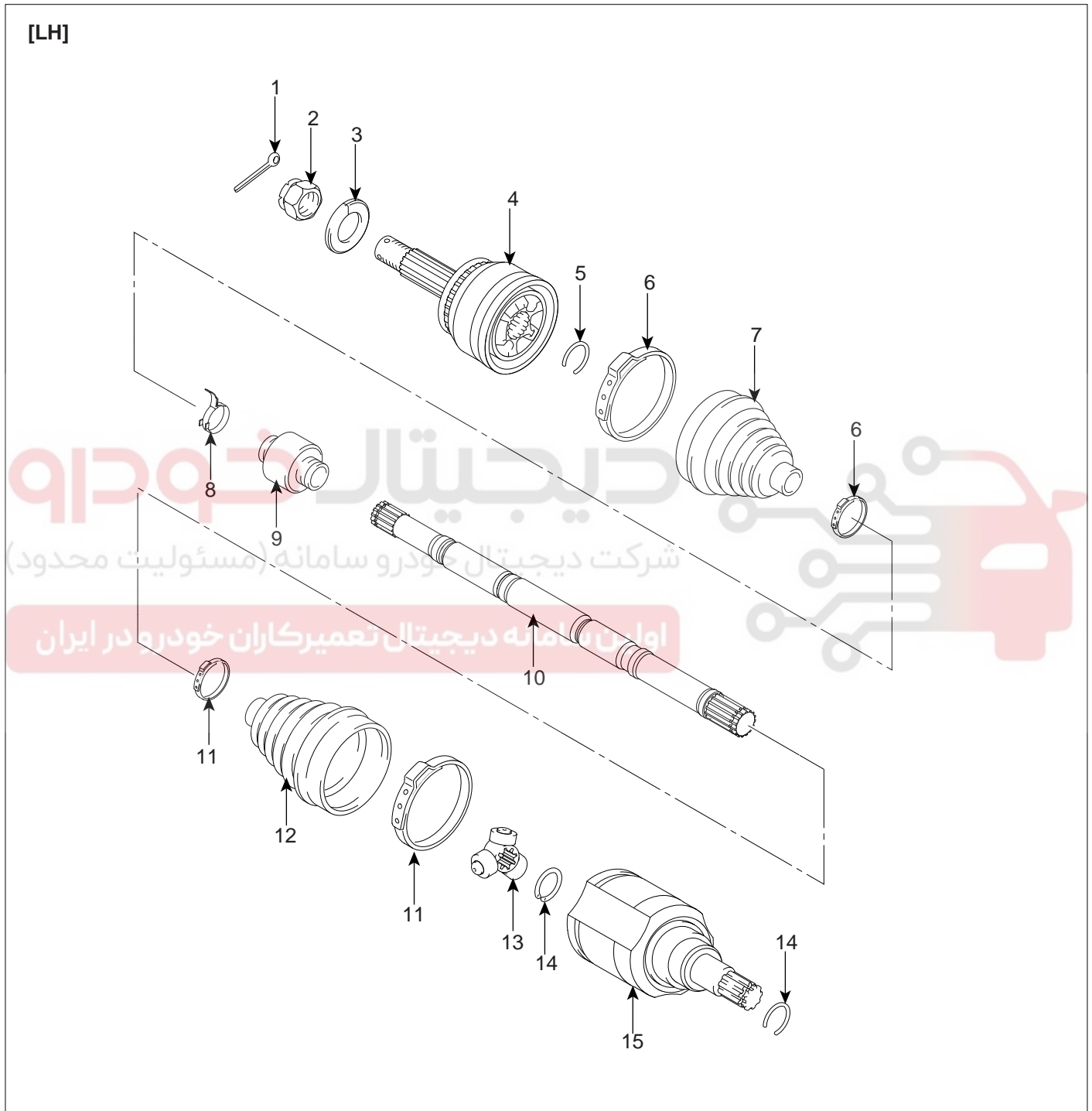


DRIVESHAFT

DS -21

FRONT DRIVESHAFT  
(PTJ-BJ TYPE)

COMPONENT E91015BA

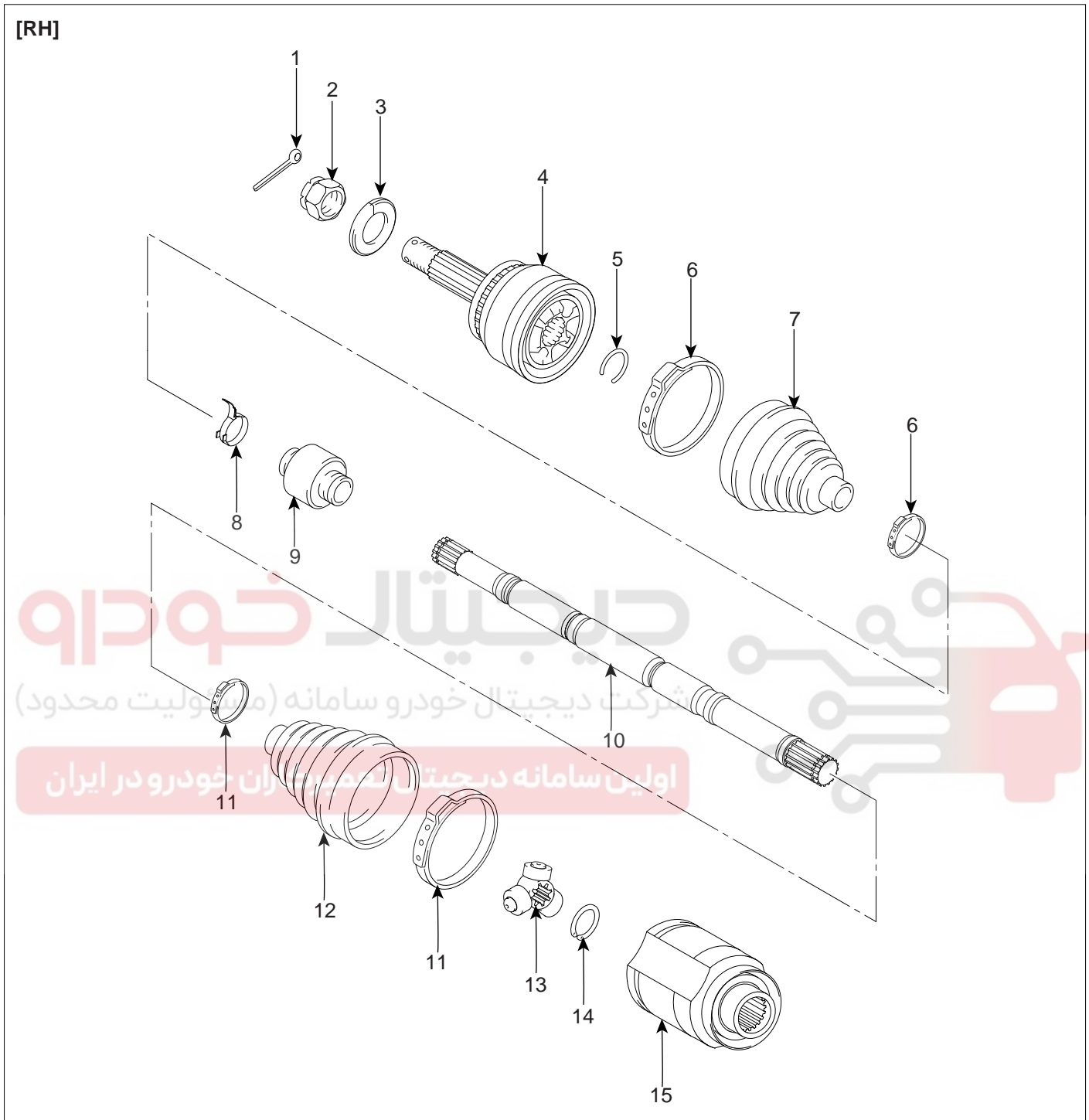


- 1. Split pin
- 2. Castle nut
- 3. Washer
- 4. BJ assembly
- 5. Clip A

- 6. BJ boot band
- 7. BJ boot
- 8. Dynamic damper band
- 9. Dynamic damper
- 10. Shaft

- 11. PTJ boot band
- 12. PTJ boot
- 13. Trunion assembly
- 14. Circlip
- 15. PTJ assembly

SCMDS6503L



- |                |                        |                      |
|----------------|------------------------|----------------------|
| 1. Split pin   | 6. BJ boot band        | 11. PTJ boot band    |
| 2. Castle nut  | 7. BJ boot             | 12. PTJ boot         |
| 3. Washer      | 8. Dynamic damper band | 13. Trunion assembly |
| 4. BJ assembly | 9. Dynamic damper      | 14. Circlip          |
| 5. Clip A      | 10. Shaft              | 15. PTJ assembly     |

SCMDS6504L

DRIVESHAFT

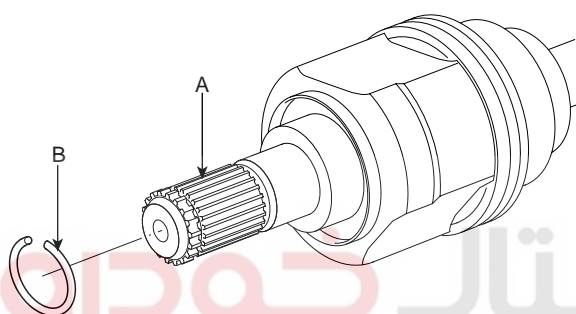
DS -23

DISASSEMBLY E7560CE9

**CAUTION**

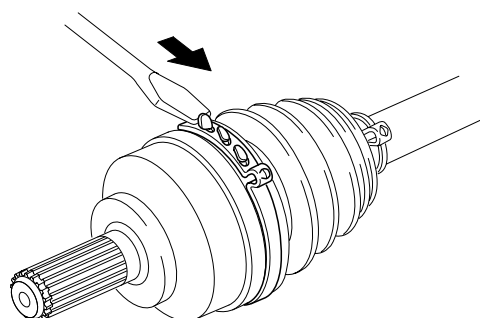
- Do not disassemble the BJ assembly.
- Special grease must be applied to the drive-shaft joint. Do not substitute with another type of grease.
- The boot band should be replaced with a new one.

1. Remove the circlip (B) from driveshaft splines (A) of the transaxle side PTJ case.



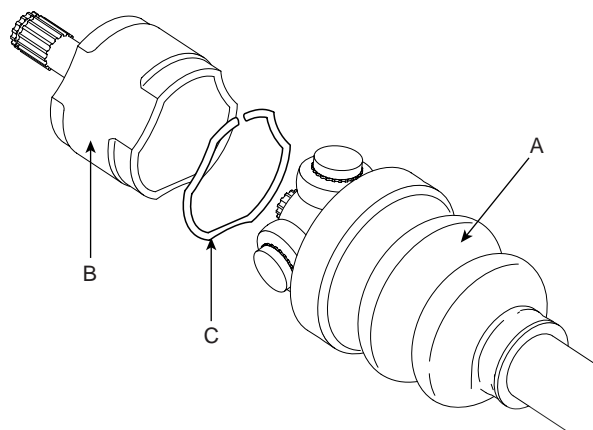
2. Remove the both boot clamps from the transaxle side PTJ case.

- 1) Using a flat-tipped (-) screwdriver, remove the both clamps of the transaxle side.



SCMDS6515D

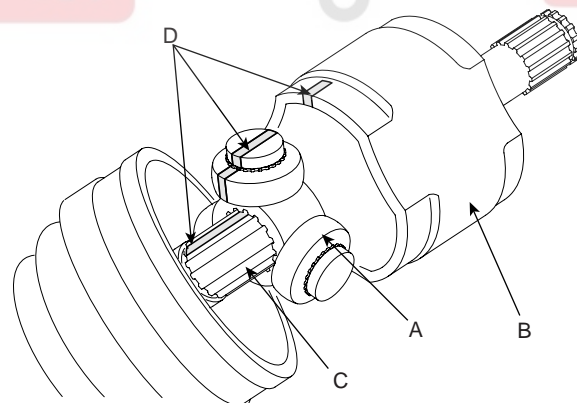
3. Pull out the boot from the transaxle side joint(PTJ).
4. Remove the clip (C) from the PTJ case (B).
5. While dividing joint(PTJ) boot (A) of the transaxle side, wipe the grease in PTJ case (B) and collect them respectively.



SCMDS6505D

**CAUTION**

- Be careful not to damage the boot.
- According to below the illustrated, put marks (D) on roller of trunion assembly (A), PTJ case (B) and spline part (C), for providing assembly.

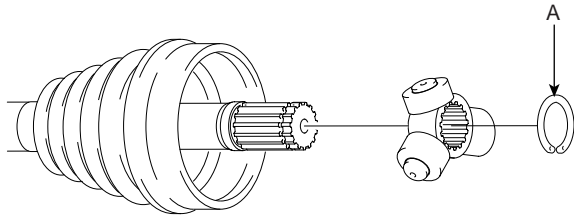


KXDDE11A

DS -24

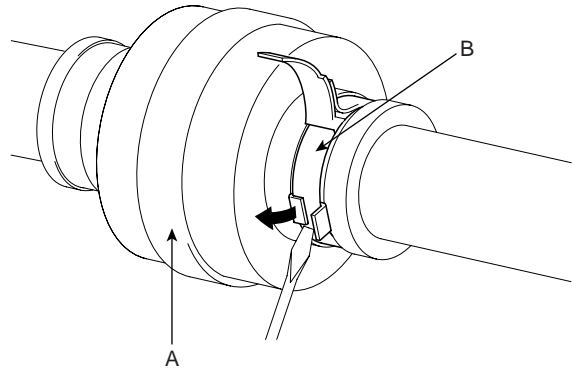
DRIVESHAFT AND AXLE

6. Using a snap ring plier or flat-tipped (-) screwdriver, remove the circlip (A).



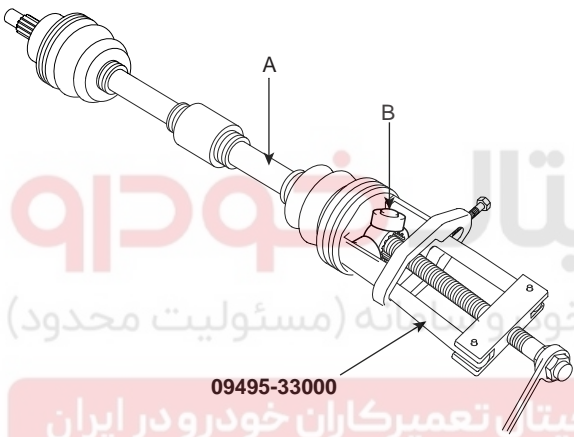
KXDDE12A

10. Using a plier or flat-tipped (-) screwdriver, remove the both side of clamp (B) of the dynamic damper (A).



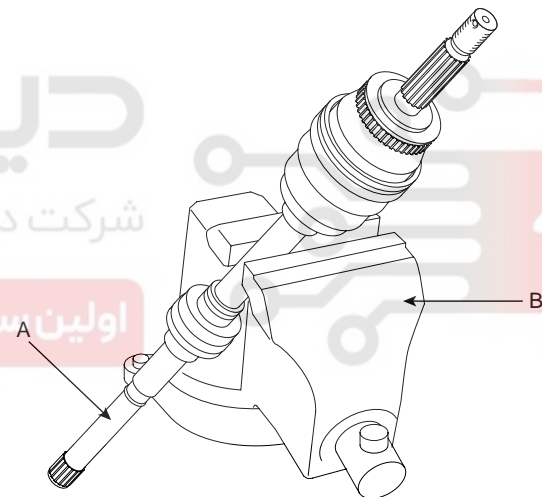
KIQE150A

7. Remove the trunion assembly (B) from the driveshaft (A) using the special tool (09495-33000).



KXDDE13A

11. Fix the driveshaft (A) with a vice (B) as illustrated.



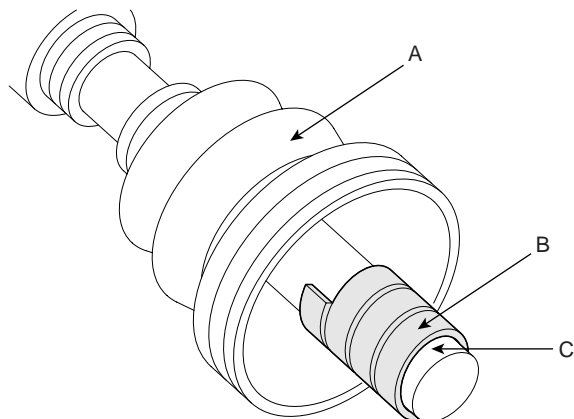
KXDDE16A

8. Clean the trunion assembly.  
9. Remove the boot (A) of the transaxle side joint (PTJ).



**CAUTION**

*For reusing the boot (A), wrap tape (B) around the driveshaft splines (C) to protect the boot (A).*



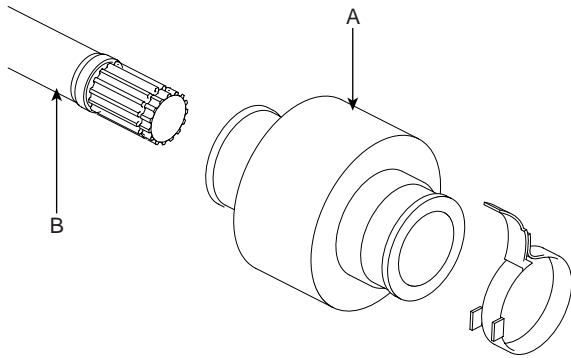
KXDDE14A



## DRIVESHAFT

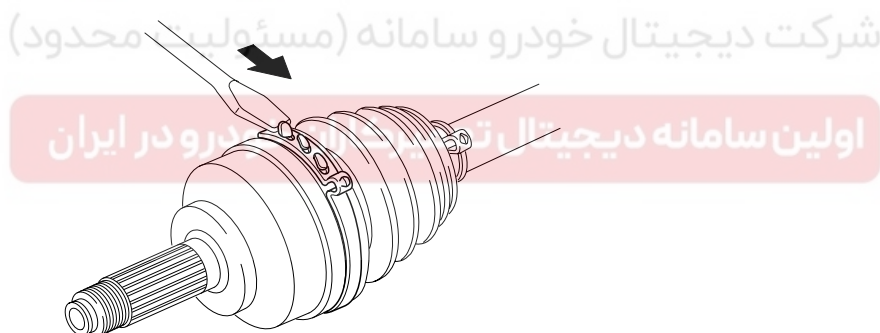
DS -25

12. Apply soap powder on the shaft to prevent being damaged between the shaft spline and the dynamic damper when the dynamic damper is removed.
13. Saperate the dynamic damper (A) from the shaft (B) carefully.



KIQE150B

14. Using a plier or flat-tipped (-) screwdriver, remove the clamp on the side of wheel.

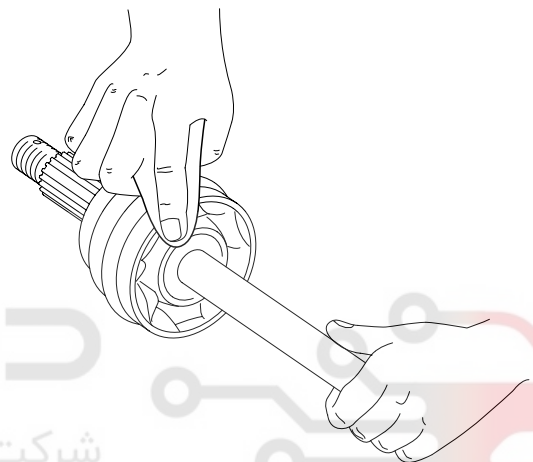


EIRF003H

15. Pull out the joint(BJ) on the side of wheel into the transaxle direction.  
Be carefull not to damage the boot.

INSPECTION EAF5A003

1. Check the driveshaft spline for wear or damage.
2. Check that there is no water or foreign material in the BJ.
3. Check the trunion assembly for roller rotation, wear or corrosion.
4. Check the groove inside the PTJ case for wear or corrosion.
5. Check the dynamic damper for damage or cracks.



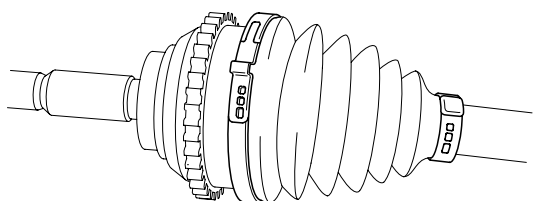
EIKD025B

DS -26

DRIVESHAFT AND AXLE

REASSEMBLY E1C350AF

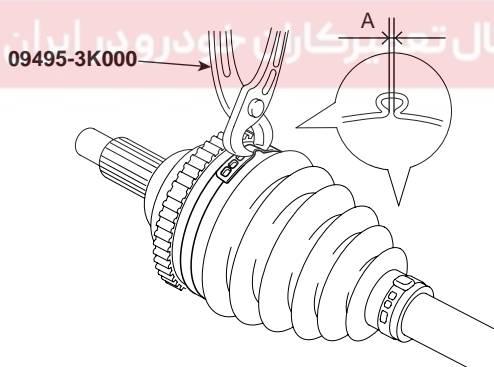
1. Wrap tape around the driveshaft splines (PTJ. side) to prevent damage to the boots.
2. Apply grease to the driveshaft and install the BJ boots.
3. Install the bands to both BJ boots.



EIRF0031

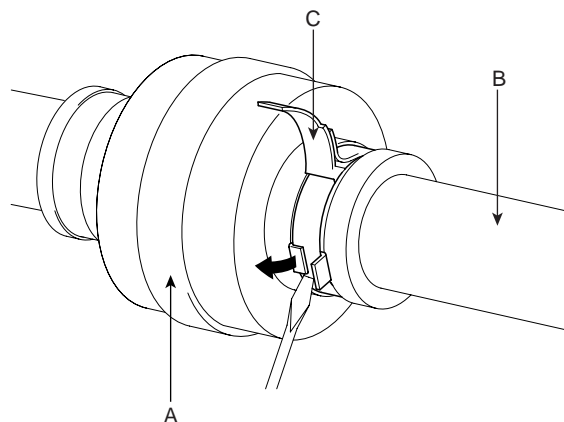
4. Using the SST(09495-3K000), secure the boot bands.

Clearance (A) : 2.0 mm (0.079 in.) or less



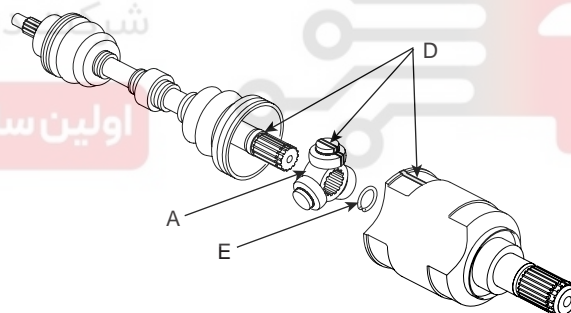
AILG500L

5. To reassemble the dynamic damper (A), keeping the shaft (B) in the straight, tighten the dynamic damper (A) with dynamic damper band (C), as the illustration.

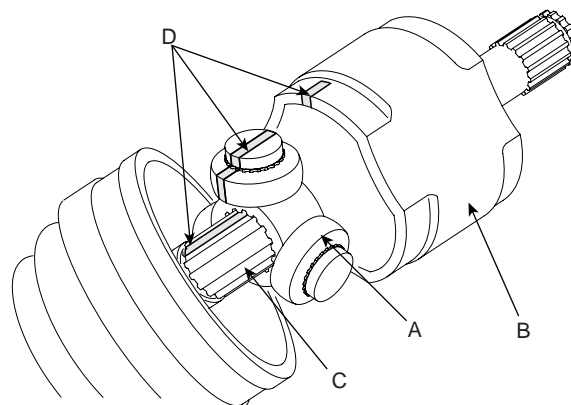


KIQE151A

6. Install the PTJ boot bands and PTJ boot.
7. Install the trunion assembly (A) and the circlip (E) to the spline (C) on the driveshaft. At this time align the marks (D) each other.



KXDDE20A



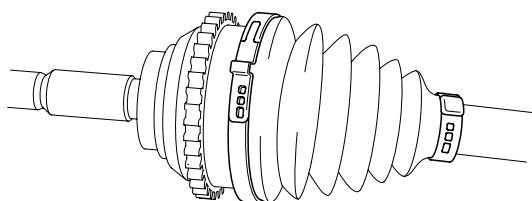
KXDDE11A

**DRIVESHAFT**

**DS -27**

- 8. Install the clip to the PTJ case (B).
- 9. Add the specified grease to the PTJ as much as wiped away at inspection.
- 10. Install the PTJ boots.
- 11. Install the bands to both PTJ boots.

- 13. To control the air in the PTJ boot, keep the specified distance between the boot bands when they are tightened.

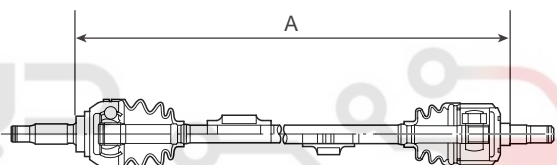


Distance (A)	LH side	RH side
Diesel 2.2 M/T 2WD/4WD (mm(in))	514.2 +26.8 -22.1 (20.24 +1.06 -0.87)	
Diesel 2.2 A/T 2WD/4WD (mm(in))	524.2 +26.8 -22.1 (20.64 +1.06 -0.87)	537.2 +26.8 -22.1 (21.15 +1.06 -0.87)
Gasoline 2.7 A/T 2WD (mm(in))	534.2 +26.8 -22.1 (21.03 +1.06 -0.87)	

EIRF003I

- 12. Using the SST(09495-3K000), secure the boot bands.

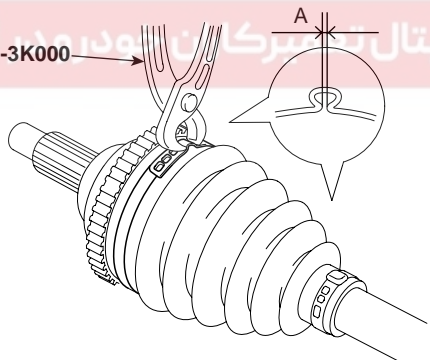
Clearance (A) : 2.0 mm (0.079 in.) or less



شرکت دیجیتال خودرو سامانه (مستولیت محدود)

اولین سامانه دیجیتال تعمیرکاران خودرو ایران

EIKD022A



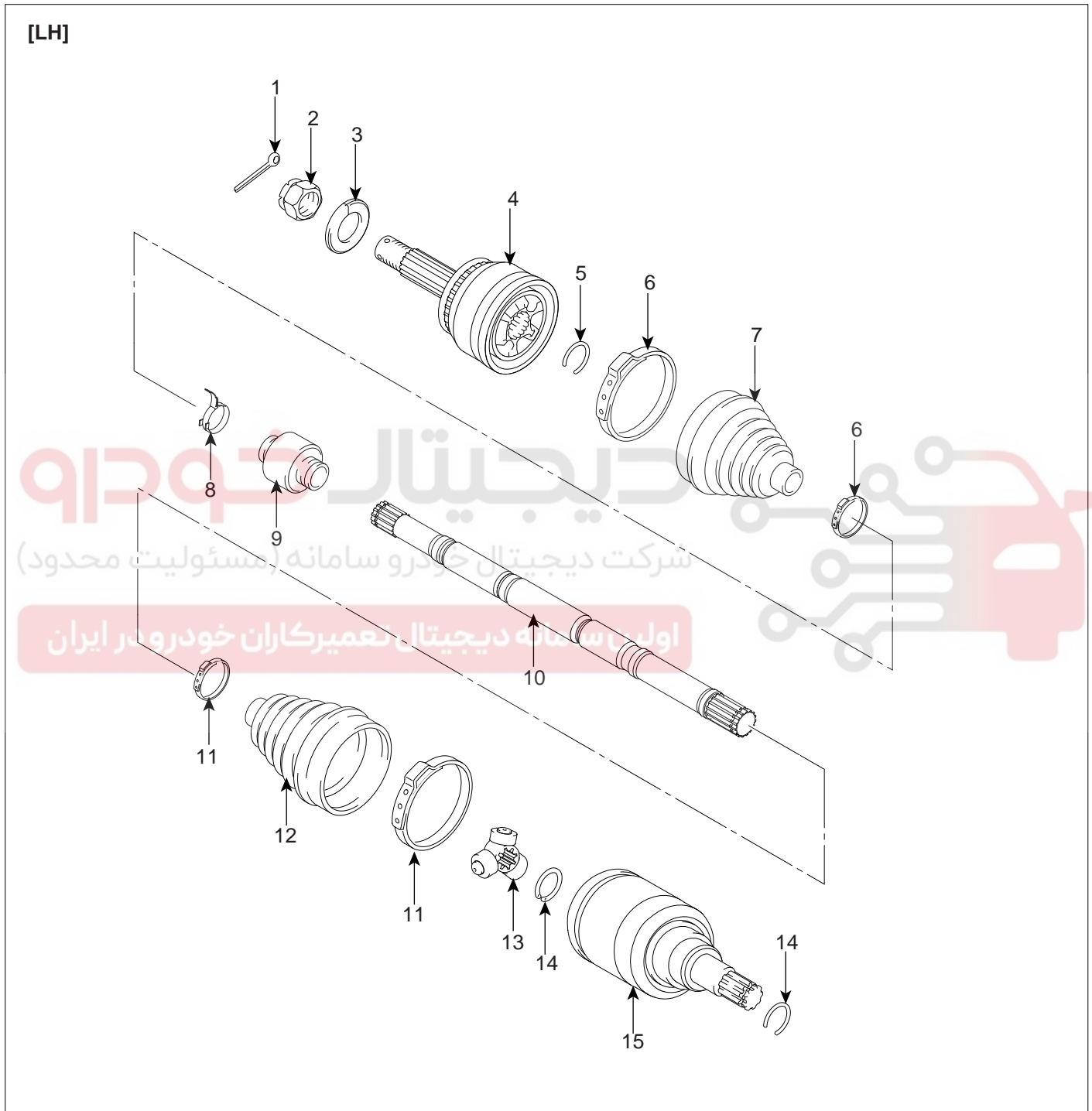
AILG500L

DS -28

DRIVESHAFT AND AXLE

**FRONT DRIVESHAFT  
(SFJ-BJ TYPE)**

**COMPONENT** EA567BE1



- 1. Split pin
- 2. Castle nut
- 3. Washer
- 4. BJ assembly
- 5. Clip A

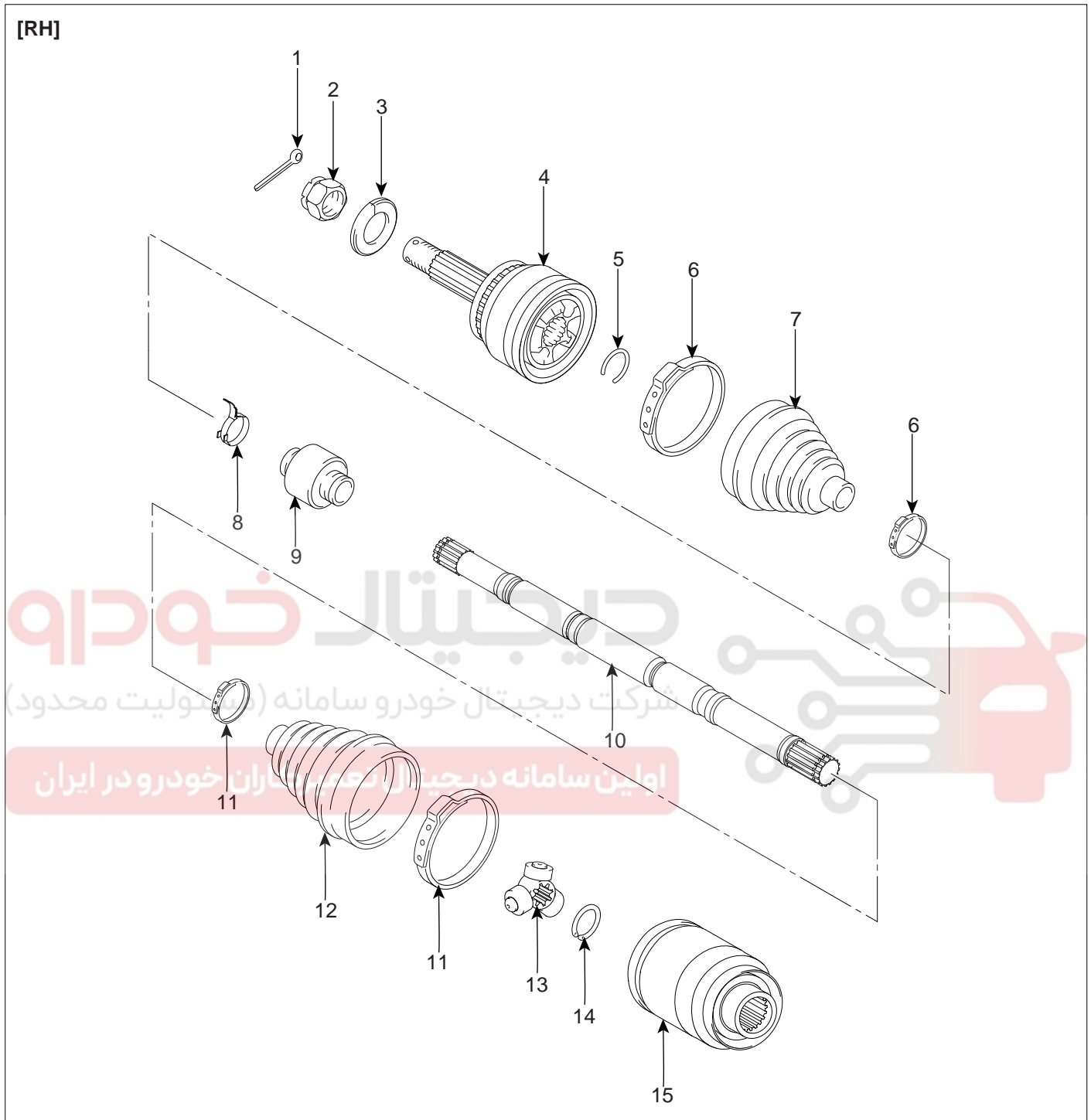
- 6. BJ boot band
- 7. BJ boot
- 8. Dynamic damper band
- 9. Dynamic damper
- 10. Shaft

- 11. SFJ boot band
- 12. SFJ boot
- 13. Trunion assembly
- 14. Circlip
- 15. SFJ assembly

SCMDS6505L

DRIVESHAFT

DS -29



- |                |                        |                      |
|----------------|------------------------|----------------------|
| 1. Split pin   | 6. BJ boot band        | 11. SFJ boot band    |
| 2. Castle nut  | 7. BJ boot             | 12. SFJ boot         |
| 3. Washer      | 8. Dynamic damper band | 13. Trunion assembly |
| 4. BJ assembly | 9. Dynamic damper      | 14. Circlip          |
| 5. Clip A      | 10. Shaft              | 15. SFJ assembly     |

SCMDS6506L

DS -30

DRIVESHAFT AND AXLE

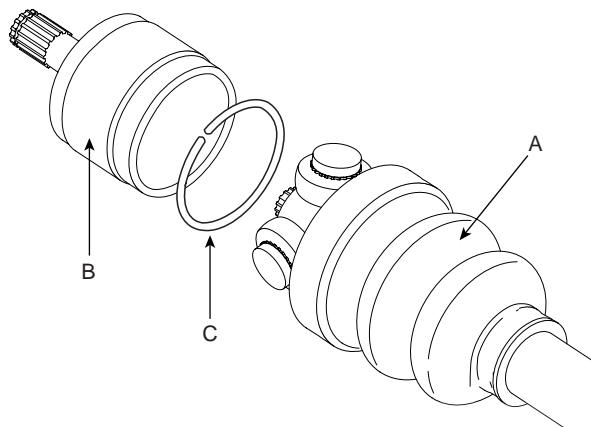
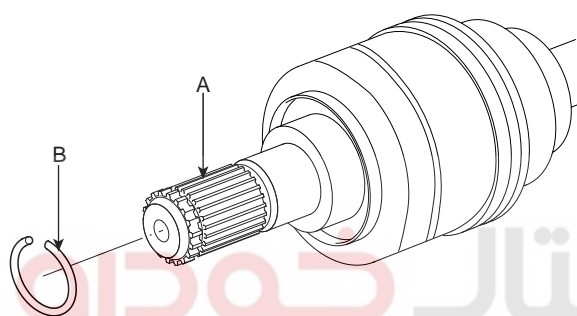
DISASSEMBLY EEC521AB

**CAUTION**

- Do not disassemble the BJ assembly.
- Special grease must be applied to the drive-shaft joint. Do not substitute with another type of grease.
- The boot band should be replaced with a new one.

1. Remove the circlip (B) from driveshaft splines (A) of the transaxle side SFJ case.

3. Pull out the boot from the transaxle side joint(SFJ).
4. Remove the clip (C) from the SFJ case (B).
5. While dividing joint(SFJ) boot (A) of the transaxle side, wipe the grease in PTJ case (B) and collect them respectively.



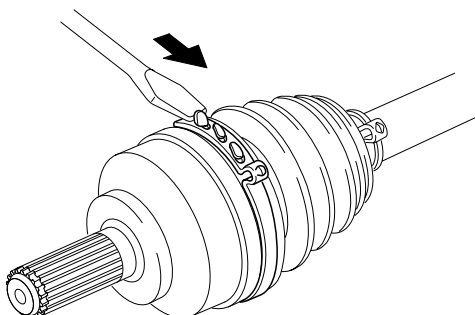
SCMDS6508L

**CAUTION**

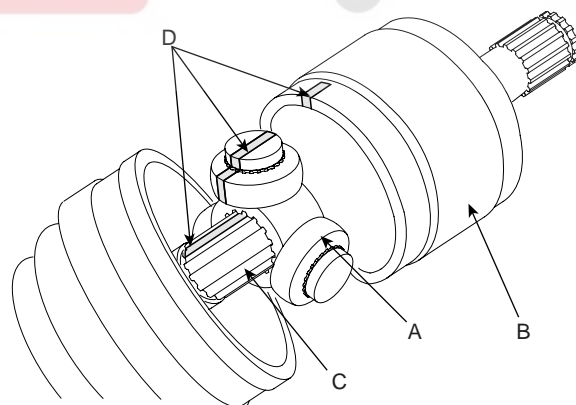
- Be careful not to damage the boot.
- According to below the illustrated, put marks (D) on roller of trunion assembly (A), SFJ case (B) and spline part (C), for providing assembly.

2. Remove the both boot clamps from the transaxle side SFJ case.

- 1) Using a flat-tipped (-) screwdriver, remove the both clamps of the transaxle side.



SCMDS6515D



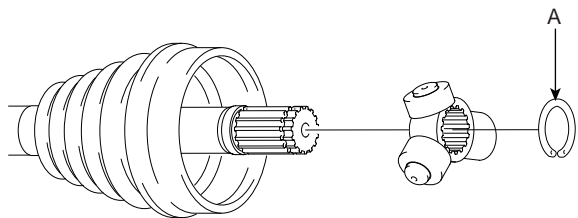
SCMDS6509L

DRIVESHAFT

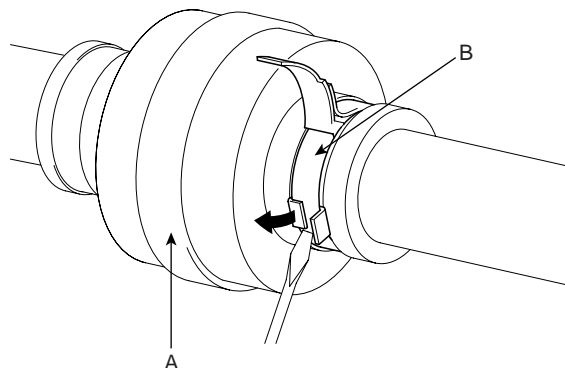
DS -31

6. Using a snap ring plier or flat-tipped (-) screwdriver, remove the circlip (A).

10. Using a plier or flat-tipped (-) screwdriver, remove the both side of clamp (B) of the dynamic damper (A).



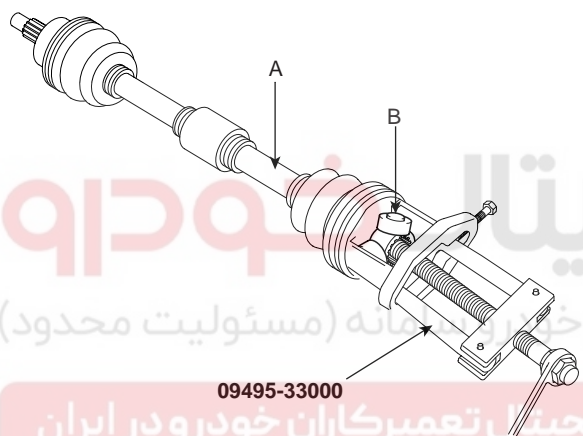
KXDDE12A



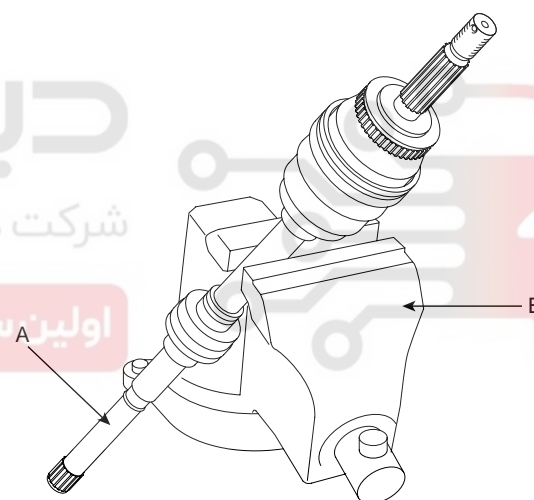
KIQE150A

7. Remove the trunion assembly (B) from the driveshaft (A) using the special tool (09495-33000).

11. Fix the driveshaft (A) with a vice (B) as illustrated.



KXDDE13A



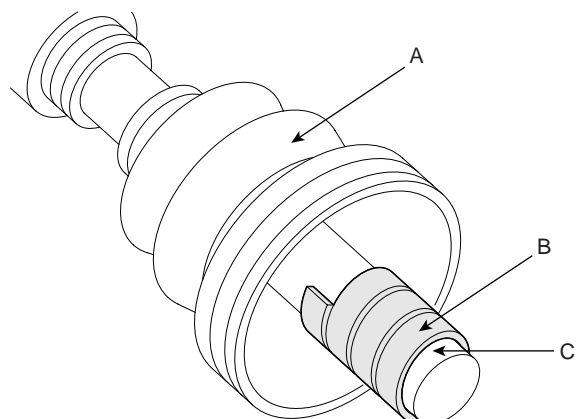
KXDDE16A

8. Clean the trunion assembly.

9. Remove the boot (A) of the transaxle side joint(SFJ).

**CAUTION**

For reusing the boot (A), wrap tape (B) around the driveshaft splines (C) to protect the boot(A).

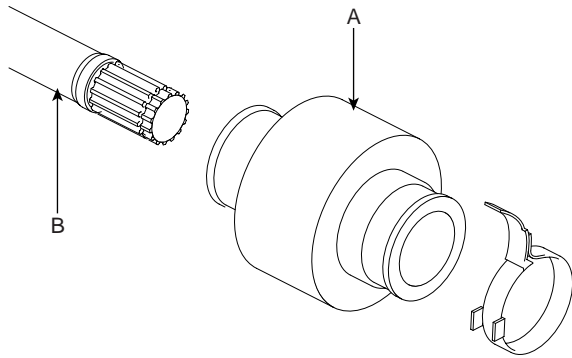


KXDDE14A

DS -32

DRIVESHAFT AND AXLE

12. Apply soap powder on the shaft to prevent being damaged between the shaft spline and the dynamic damper when the dynamic damper is removed.
13. Saperate the dynamic damper (A) from the shaft (B) carefully.



KIQE150B

14. Using a plier or flat-tipped (-) screwdriver, remove the clamp on the side of wheel.

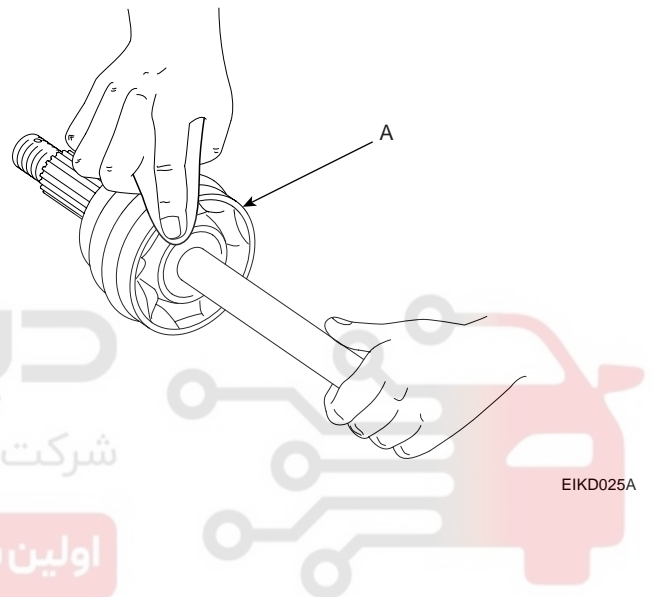


EIRF003H

15. Pull out the joint(BJ) on the side of wheel into the transaxle direction.  
Be carefull not to damage the boot.

INSPECTION E47AE75F

1. Check the driveshaft spline for wear or damage.
2. Check that there is no water or foreign material in the BJ.
3. Check the trunion assembly for roller rotation, wear or corrosion.
4. Check the groove inside the SFJ case for wear or corrosion.
5. Check the dynamic damper for damage or cracks.



EIKD025A

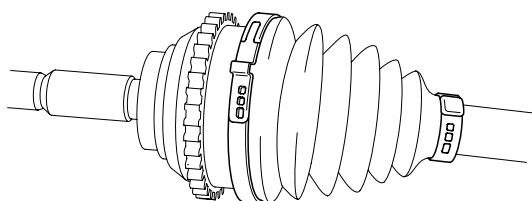


DRIVESHAFT

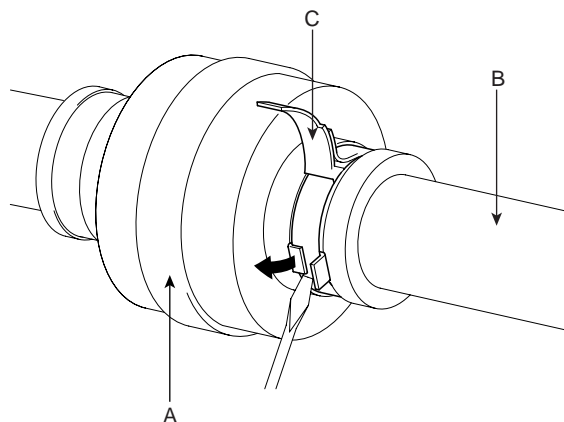
DS -33

REASSEMBLY E3E68C07

1. Wrap tape around the driveshaft splines (SFJ. side) to prevent damage to the boots.
2. Apply grease to the driveshaft and install the BJ boots.
3. Install the bands to both BJ boots.



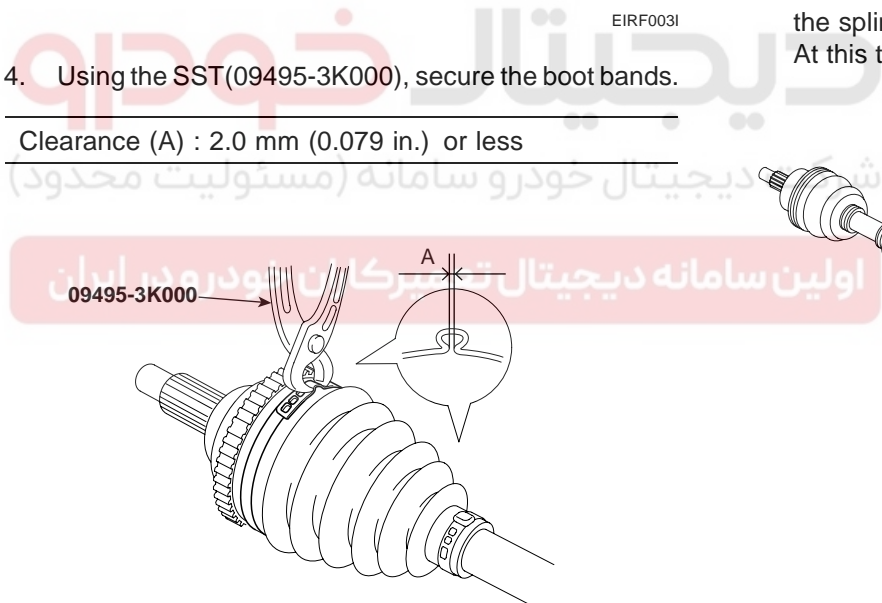
5. To reassemble the dynamic damper (A), keeping the shaft (B) in the straight, tighten the dynamic damper (A) with dynamic damper band (C), as the illustration.



KIQE151A

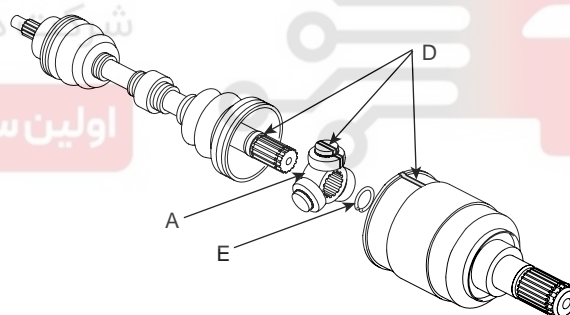
4. Using the SST(09495-3K000), secure the boot bands.

Clearance (A) : 2.0 mm (0.079 in.) or less



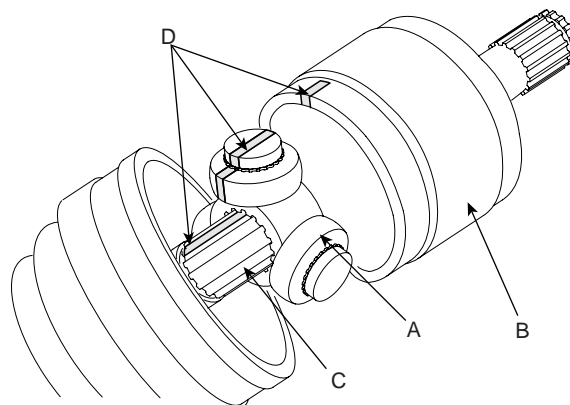
EIRF003I

6. Install the SFJ boot bands and SFJ boot.
7. Install the trunion assembly (A) and the circlip (E) to the spline (C) on the drivershaft. At this time align the marks (D) each other.



SCMDS6510L

AILG500L



SCMDS6509L

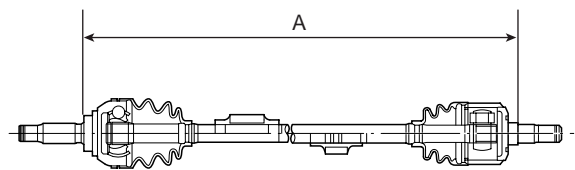
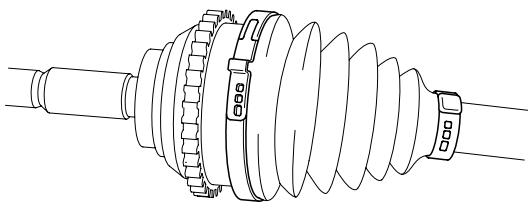
DS -34

DRIVESHAFT AND AXLE

8. Install the clip to the SFJ case (B).
9. Add the specified grease to the SFJ as much as wiped away at inspection.
10. Install the SFJ boots.
11. Install the bands to both SFJ boots.

13. To control the air in the SFJ boot, keep the specified distance between the boot bands when they are tightened.

Distance (A)	LH side	RH side
Gasoline 2.7 M/T 2WD/4WD (mm(in))	533.2 ±23.9 (20.99 ±094)	539.0 ±23.9 (21.22 ±0.94)
Gasoline 2.7 A/T 4WD (mm(in))	533.2 ±23.9 (20.99 ±094)	



EIRF003I

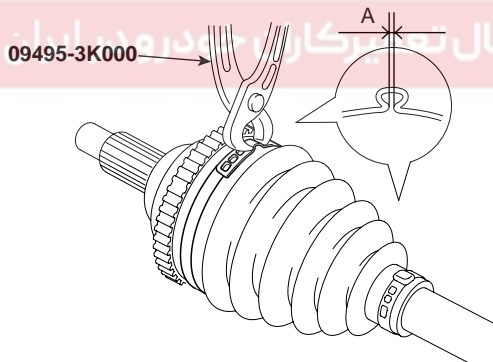
12. Using the SST(09495-3K000), secure the boot bands.

Clearance (A) : 2.0 mm (0.079 in.) or less

EIKD022A



اولین سامانه دیجیتال تعمیرکاران خودرو در ایران

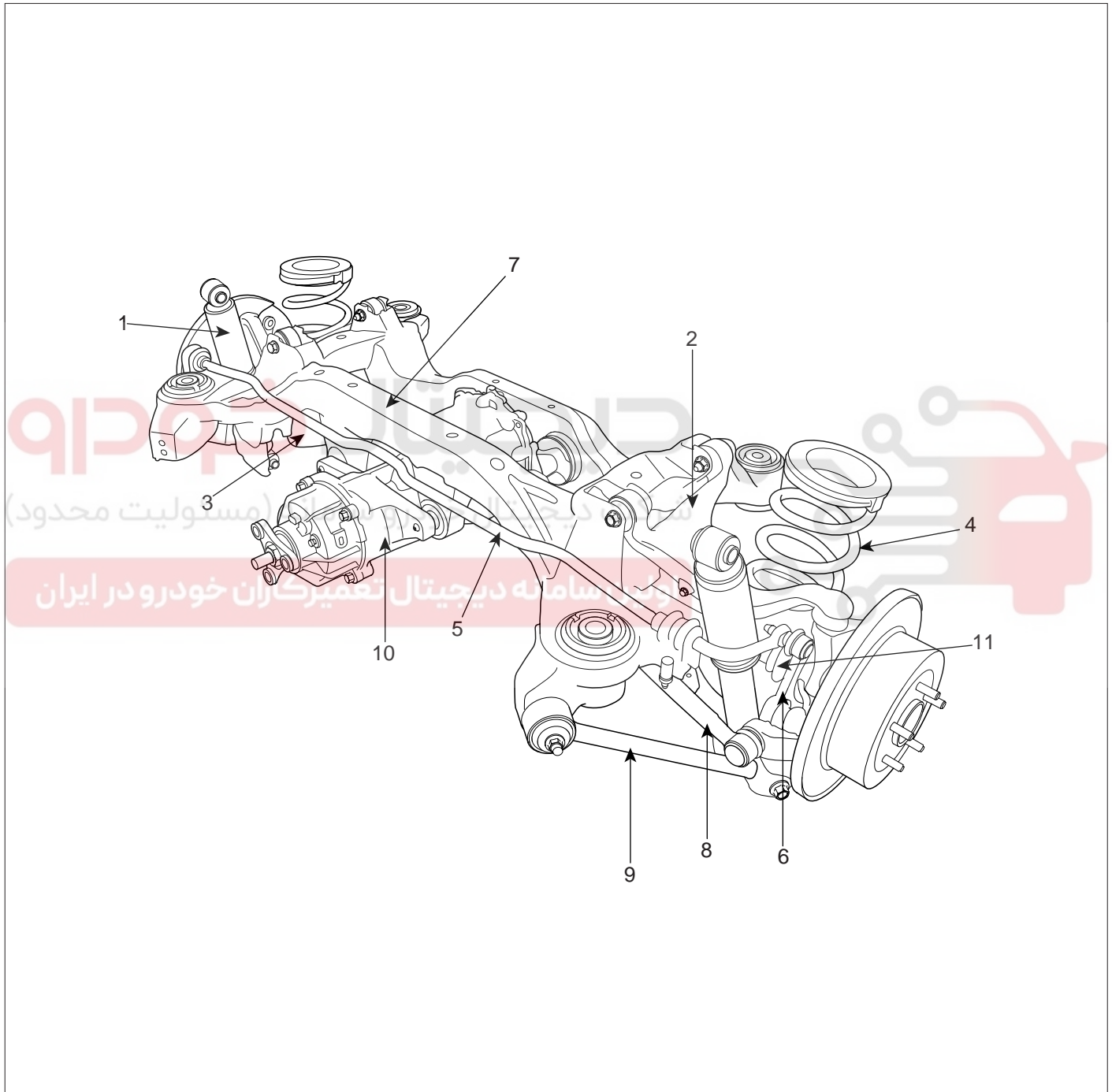


AILG500L

# REAR AXLE

## REAR HUB / CARRIER

### COMPONENT LOCATION E8D6A197

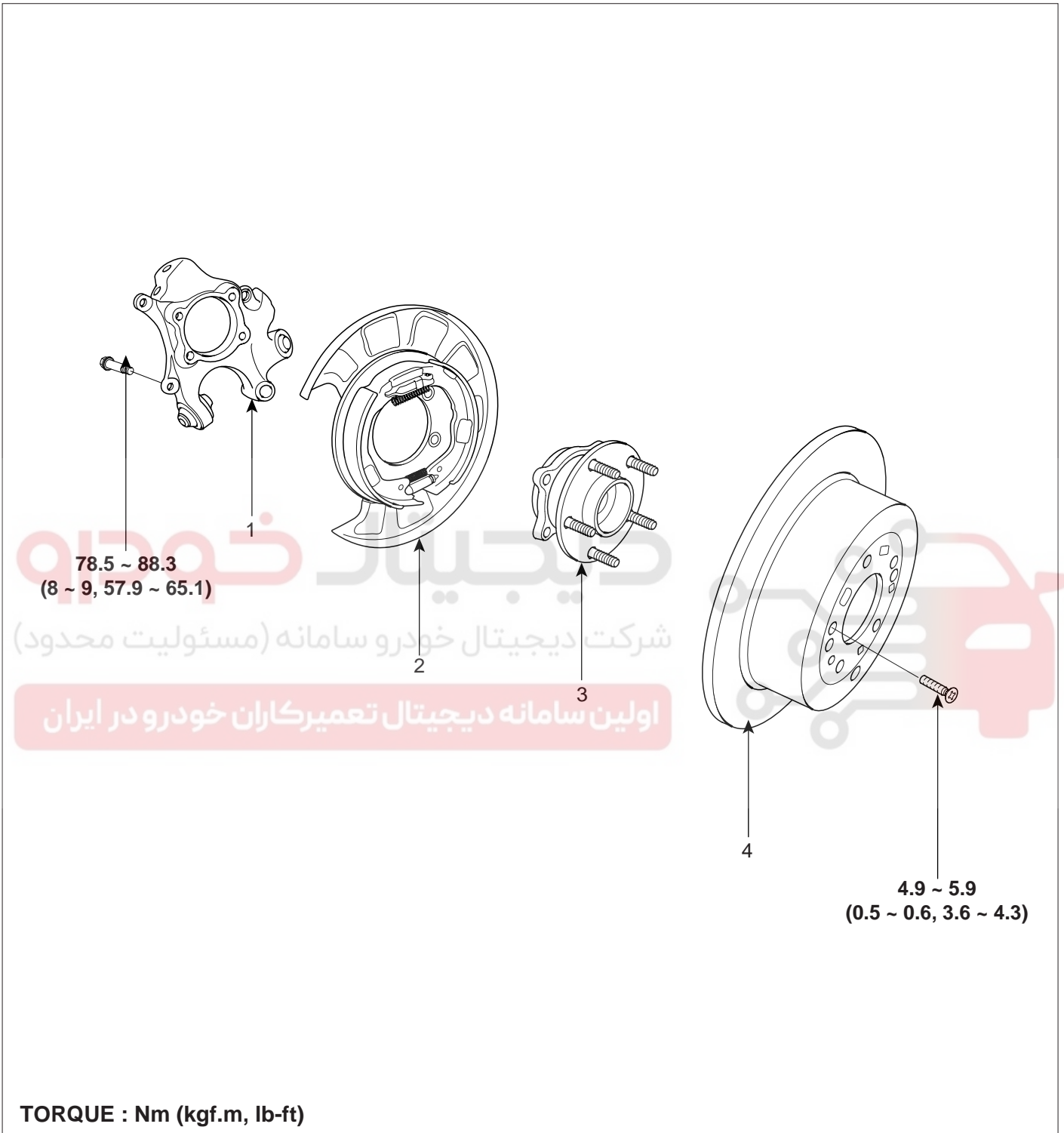


- |                                  |                                |
|----------------------------------|--------------------------------|
| 1. Rear shock absorber assembly  | 7. Rear cross member           |
| 2. Rear upper arm                | 8. Rear assist arm             |
| 3. Rear lower arm                | 9. Trailing arm                |
| 4. Rear coil spring              | 10. Differential Carrier (4WD) |
| 5. Rear stabilizer bar assembly  | 11. Drive shaft (4WD)          |
| 6. Rear stabilizer link assembly |                                |

DS -36

DRIVESHAFT AND AXLE

COMPONENT E5AB35F5



- 1. Rear carrier assembly
- 2. Parking brake assembly

- 3. Rear hub assembly
- 4. Rear brake disc

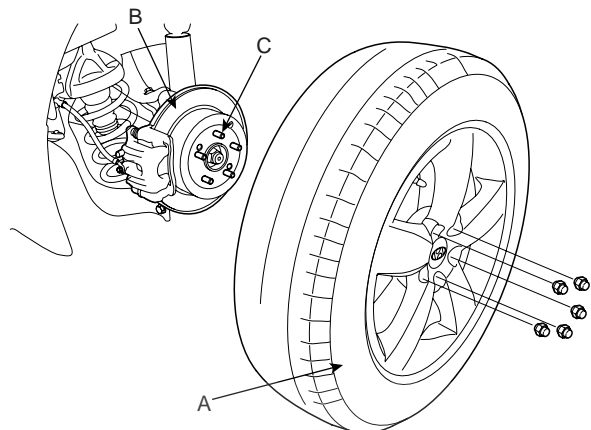
SCMDS6513L

REAR AXLE

DS -37

REMOVAL EB310E4E

1. Loosen the wheel nuts slightly.  
Raise the vehicle, and make sure it is securely supported.
2. Remove the rear wheel and tire (A) from the rear hub (B).

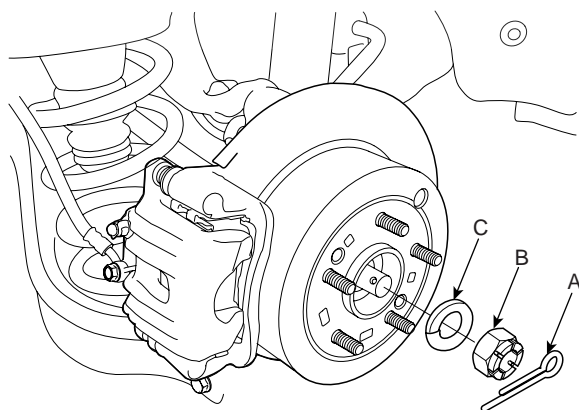


SCMDS6019D

**CAUTION**

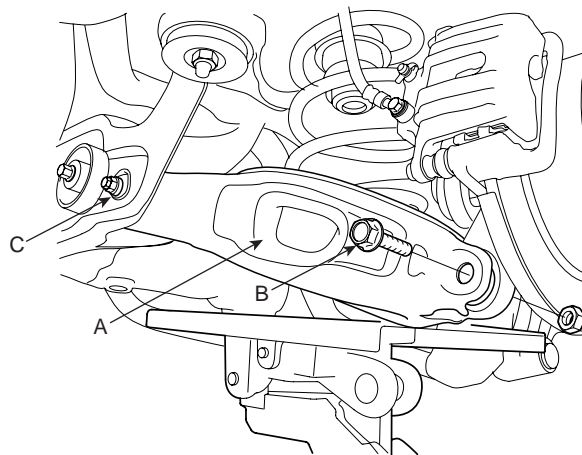
Be careful not to damage to the hub bolts (C) when removing the rear wheel and tire (A).

3. Remove the split pin (A), then remove castle nut (B) and washer (C) from the front hub under applying the brake.



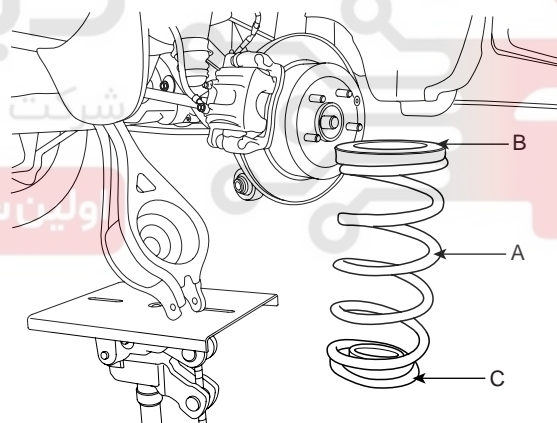
SCMDS6020D

4. Remove the mounting bolt (B) of the rear lower arm(A) and the rear carrier, while supporting the lower arm (A) with a jack as shown in the illustration. Loosen the mounting bolt (C) of the cross member and the rear lower arm.



SCMDS6021D

5. Remove the spring (A), the upper pad (B) and the lower pad (C).

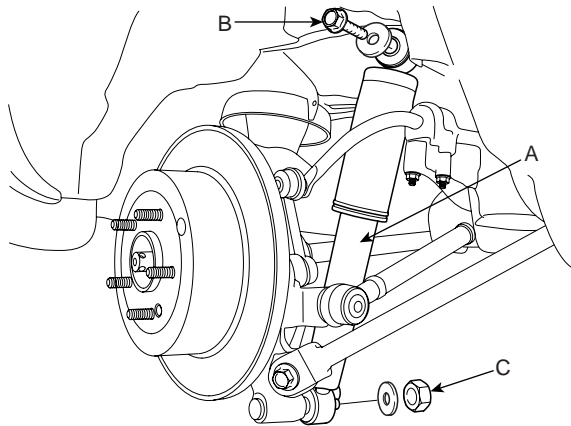


SCMDS6022D

DS -38

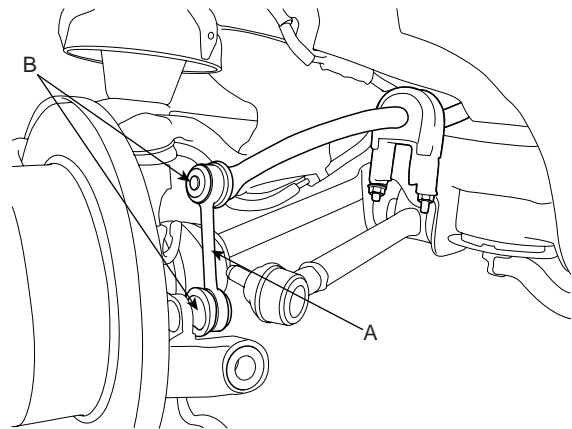
DRIVESHAFT AND AXLE

6. Remove the rear shock absorber (A).



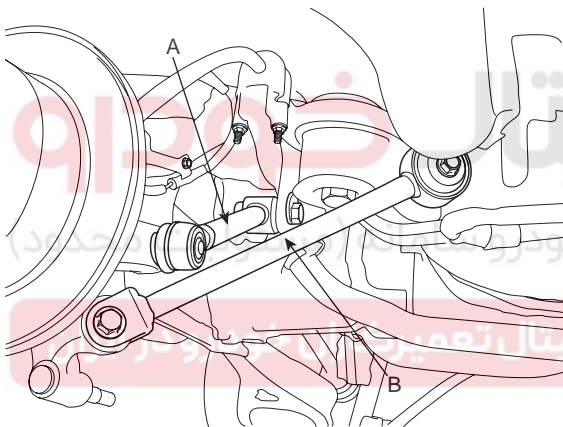
SCMDS6023D

8. Remove the rear stabilizer link (A) from the rear axle carrier.



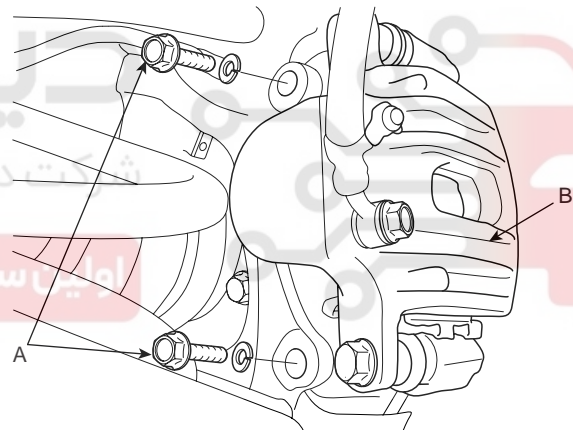
SCMDS6026D

7. Remove the assist arm (A) and the trailing arm (B) from the rear axle carrier.



SCMDS6024D

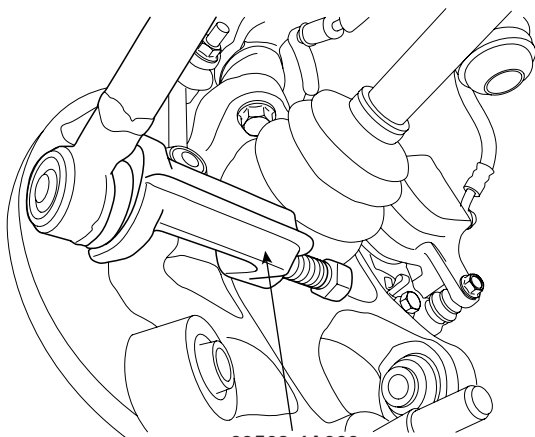
9. Remove the brake caliper mounting bolts (A), and then place the brake caliper assembly (B) with wire as shown in the illustration.



SCMDS6027D

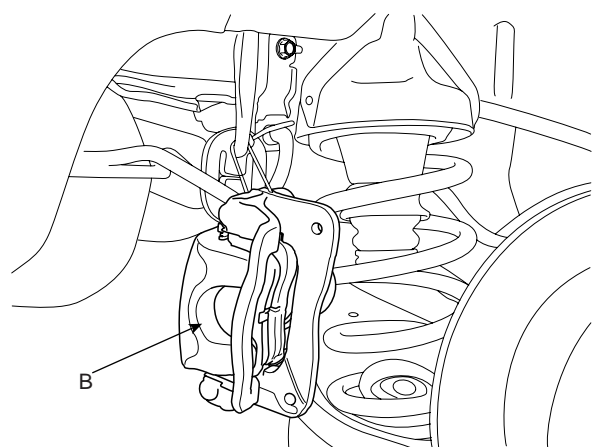
**NOTE**

Remove the rear assist arm ball joint by using the special tool(09568-4A000).



09568-4A000

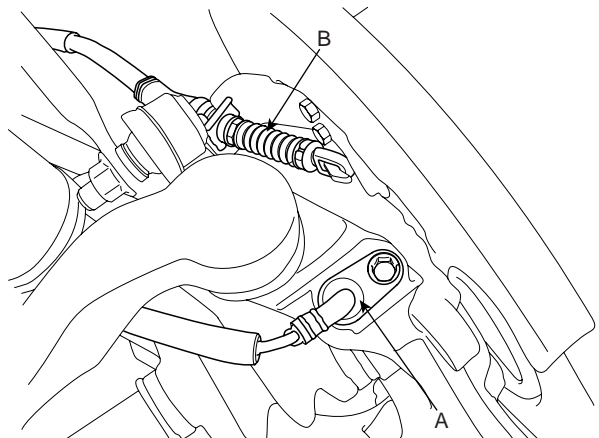
SCMDS6518L



SCMDS6028D

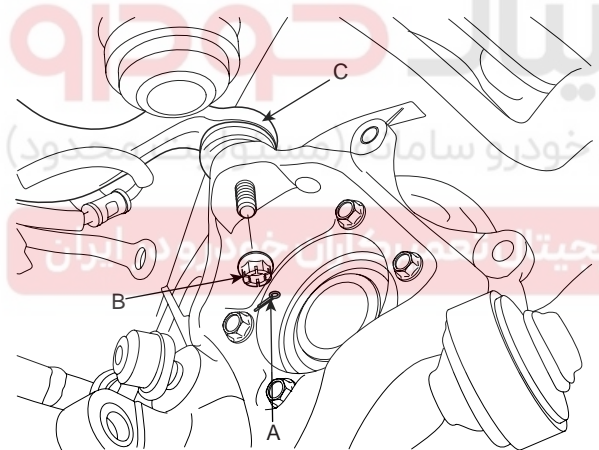
REAR AXLE

10. Remove the wheel speed sensor (A) and the parking brake cable (B) from the rear axle carrier.

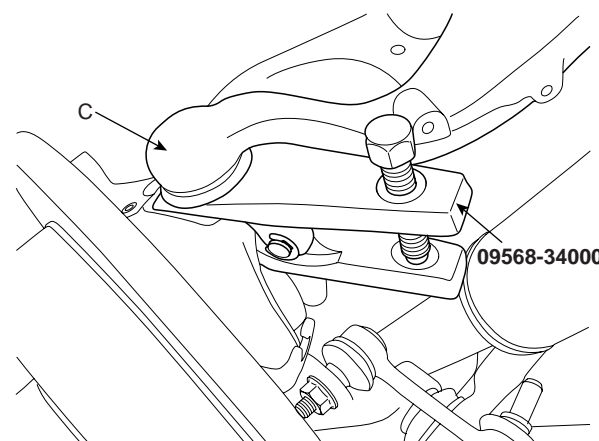


SCMDS6029D

11. Remove the split pin (A) and the castle nut (B) from the rear upper arm ball joint (C), and then remove the rear upper arm ball joint (C) by using the special tool(09568-34000).



SCMDS6030D

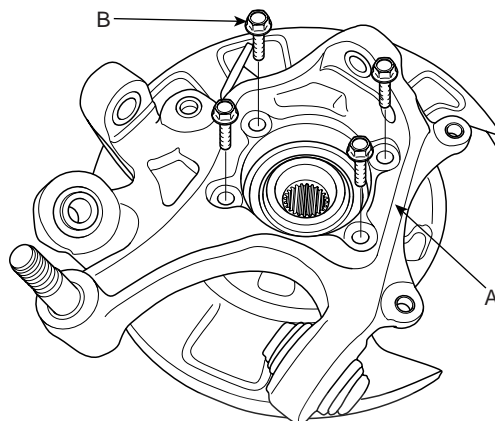


SCMDS6031D

12. Remove the rear axle carrier assembly.

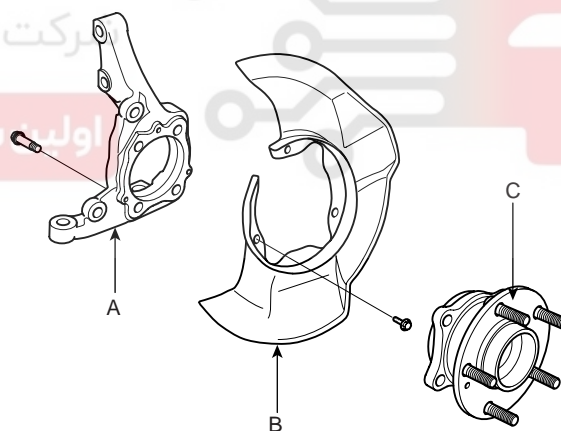
DISASSEMBLY E17753C8

1. Remove the brake disc from the rear axle carrier assembly.
2. Remove the hub assembly mounting bolts (B) from the rear axle carrier (A).



SCMDS6032D

3. Remove the hub assembly (C) and the parking brake assembly (B) from the rear axle carrier (A).



SCMDS6501D

**CAUTION**

*Do not disassemble the hub assembly.*

INSPECTION E1DDE79F

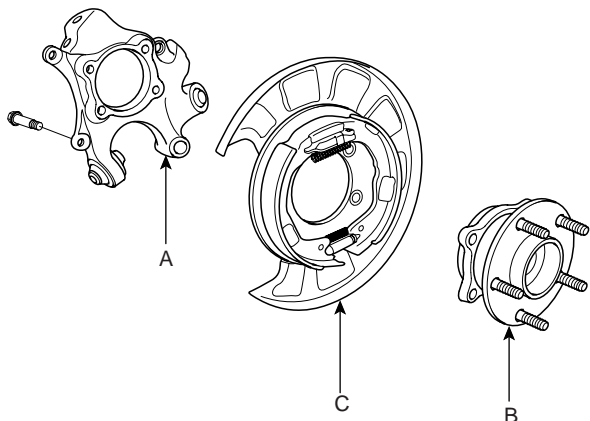
1. Check the hub for cracks and the splines for wear.
2. Check the brake disc for scoring and damage.
3. Check the rear axle carrier for cracks
4. Check the bearing for cracks or damage.

DS -40

DRIVESHAFT AND AXLE

REASSEMBLY EB2FA7EF

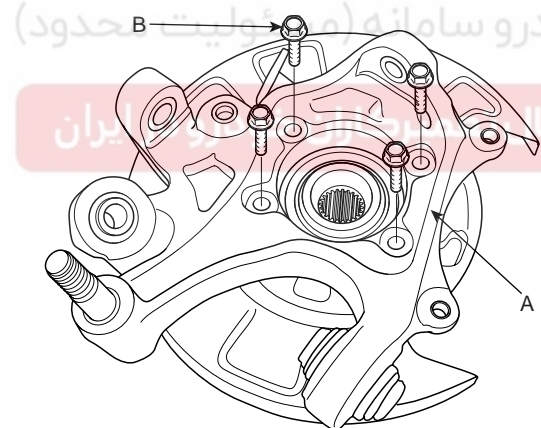
1. Install the parking brake assembly (B) and the hub assembly (C) to the rear axle carrier (A).



SCMDS6506D

2. Install the hub assembly to the rear axle carrier (A) and then tighten the mounting bolt (B).

**Tightening torque Nm (kgf-m, lb-ft) :**  
78.5~88.3 (8~9, 57.9~65.1)



SCMDS6032D

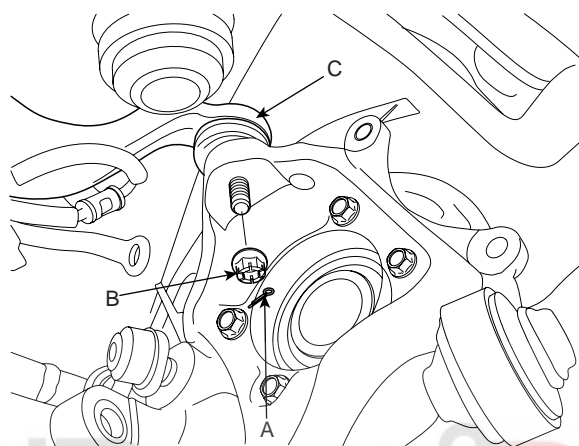
3. Install the brake disc to the rear axle carrier assembly.

**Tightening torque Nm (kgf-m, lb-ft) :**  
Screw: 4.9~5.9 (0.5~0.6, 3.6~4.3)

INSTALLATION E3ABD444

1. Install the rear axle carrier assembly.
2. Install the split pin (A) and the castle nut (B) to the rear upper arm ball joint (C).

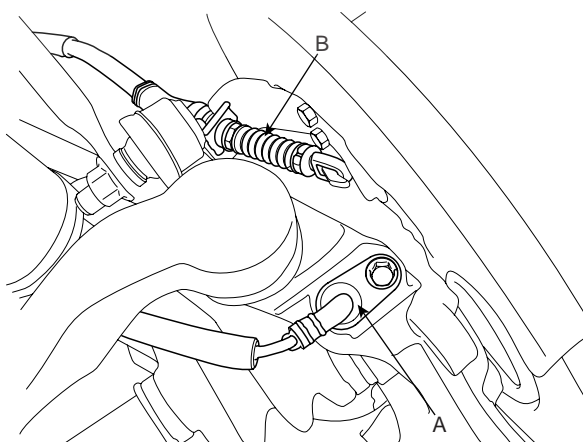
**Tightening torque Nm (kgf-m, lb-ft) :**  
78.5~88.3 (8.0~9.0, 57.9~65.1)



SCMDS6030D

3. Install the wheel speed sensor (A) and the parking brake cable (B) to the rear axle carrier.

**Tightening torque Nm (kgf-m, lb-ft) :**  
Wheel speed sensor (A) :  
6.9~10.8 (0.7~1.1, 5.1~8.0)



SCMDS6029D

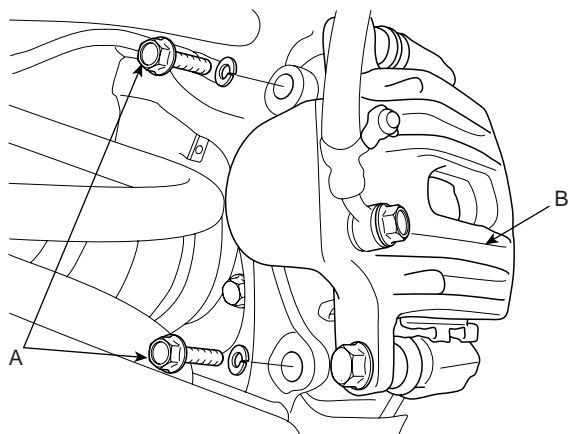


REAR AXLE

DS -41

4. Install the brake caliper (B), then tighten the brake caliper mounting bolts (A).

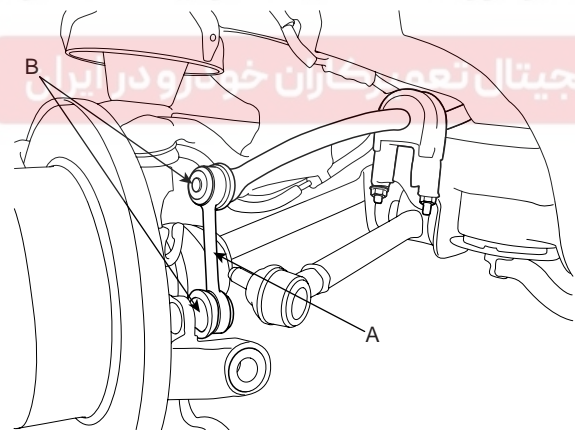
**Tightening torque Nm (kgf-m, lb-ft) :**  
63.7~73.5 (6.5~7.5, 47.0~54.2)



SCMDS6027D

5. Install the rear stabilizer link (A) from the rear axle carrier.

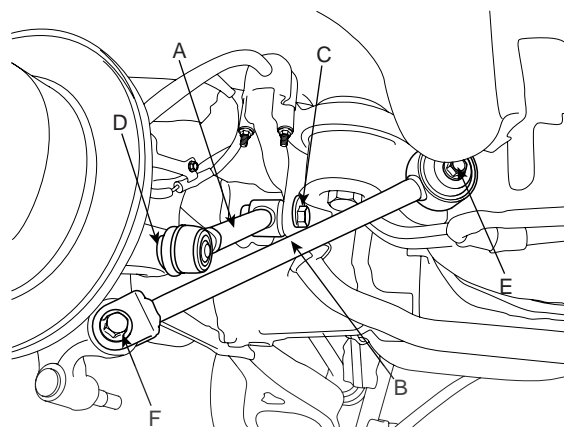
**Tightening torque Nm (kgf-m, lb-ft) :**  
Nut(B) : 58.8~78.5 (6.0~8.0, 43.4~57.9)



SCMDS6026D

6. Install the assist arm (A) and the trailing arm (B) to the rear axle carrier.

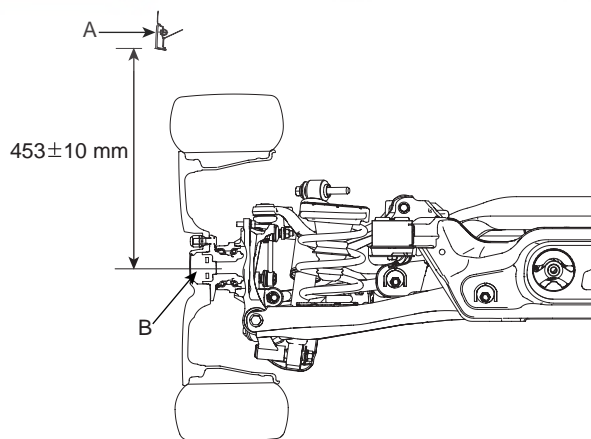
**Tightening torque Nm (kgf-m, lb-ft) :**  
Bolt (C) : 137.3~156.9 (14~16, 101.3~115.7)  
Nut (D) : 98.1~117.7 (10~12, 72.3~86.8)  
Nut (E) : 137.3~156.9 (14~16, 101.3~115.7)  
Bolt (F) : 137.3~156.9 (14~16, 101.3~115.7)



SCMDS6052D

**NOTE**

After checking the distance ( $453 \pm 10 \text{mm}$  ( $17.83 \pm 0.39 \text{in}$ )) between the wheel housing garnish (A) and the hub assembly (B) as shown in the illustration, tighten the mounting bolts and nuts of rear chassis part with specified torque.



SCMDS6513D

DS -42

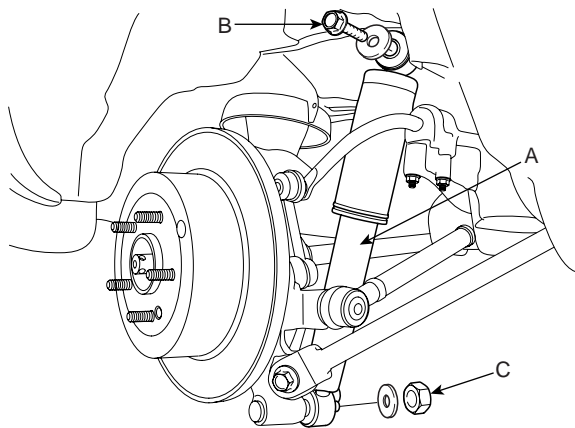
DRIVESHAFT AND AXLE

7. Install the rear shock absorber (A).

**Tightening torque Nm (kgf-m, lb-ft) :**

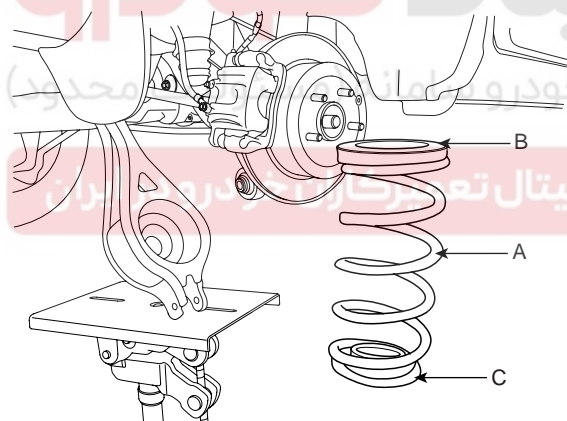
Bolt (B) : 137.3~156.9 (14~16, 101.3~115.7)

Nut (C) : 98.1~117.7 (10.0~12.0, 72.3~86.8)



SCMDS6023D

8. Install the spring (A), the upper pad (B) and the lower pad (C).



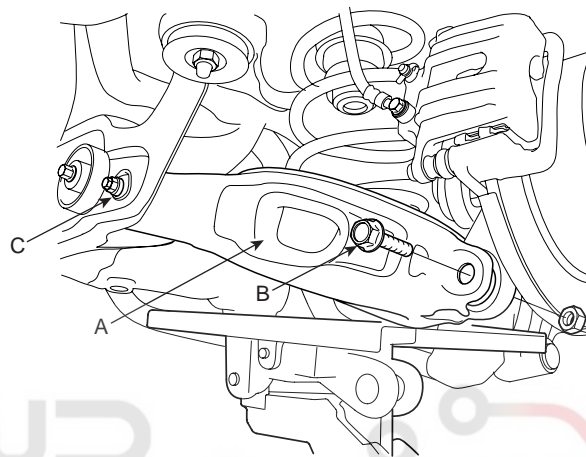
SCMDS6022D

9. Install the mounting bolt (B) of the rear lower arm(A) and the rear carrier with a specified torque, while supporting the lower arm (A) with a jack as shown in the illustration. Tighten the mounting bolt (C) of the cross member and the rear lower arm with a specified torque.

**Tightening torque Nm (kgf-m, lb-ft) :**

Bolt (B) : 137.3~156.9 (14~16, 101.3~115.7)

Nut (C) : 137.3~156.9 (14~16, 101.3~115.7)

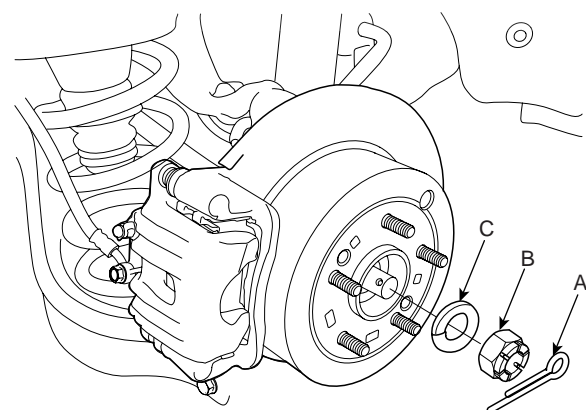


SCMDS6021D

10. Install the washer (C), castle nut (B) and split pin (A) to the rear hub assembly.

**Tightening torque Nm (kgf-m, lb-ft) :**

196.1~255.0 (20~26, 144.7~188.1)

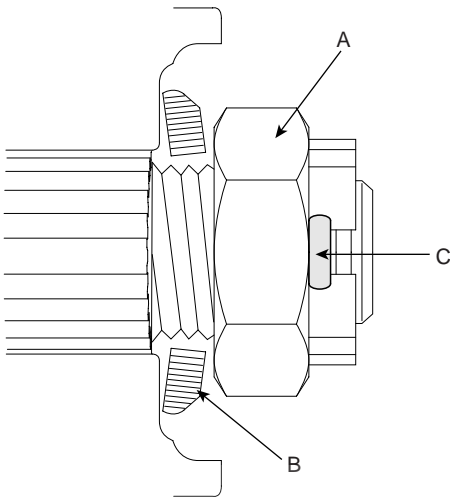


SCMDS6020D

REAR AXLE

**⚠ CAUTION**

The washer (B) should be assembled with convex surface outward when installing the castle nut (A) and split pin (C).

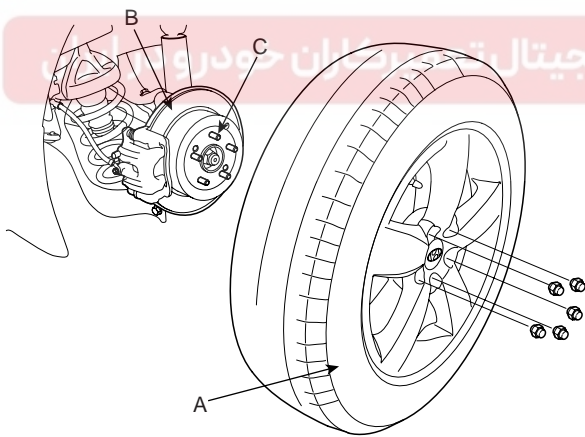


EIKD010A

11. Install the wheel and tire (A) to the rear hub (B).

**Tightening torque Nm (kgf-m, lb-ft) :**

88.3~107.9 (9~11, 65.1~79.6)



SCMDS6019D

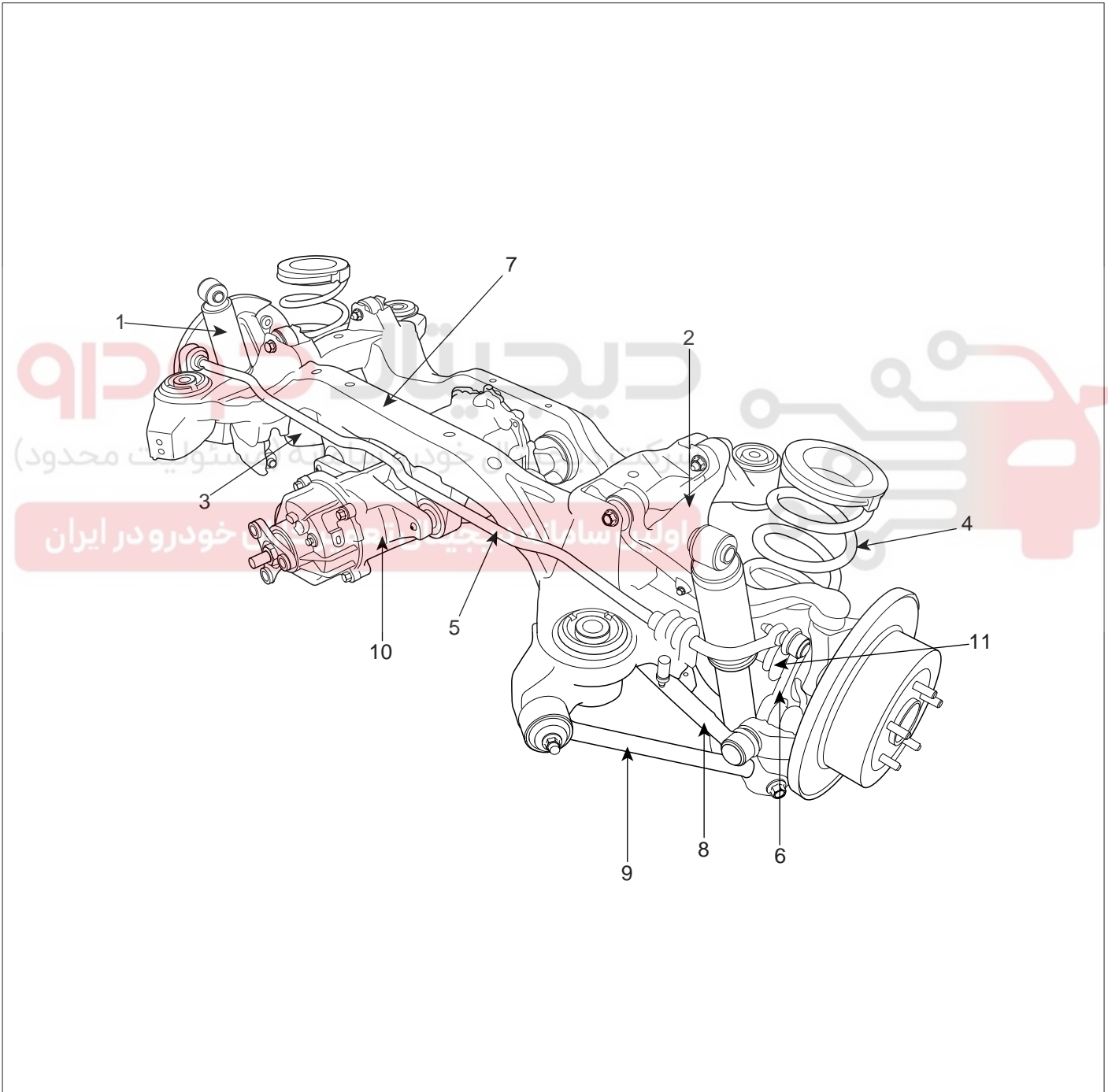
**⚠ CAUTION**

Be careful not to damage the hub bolts (C) when installing the rear wheel and tire (A).

# REAR DRIVESHAFT ASSEMBLY

## REAR DRIVESHAFT (DOJ-BJ TYPE)

### COMPONENT LOCATION EDFAFE3C

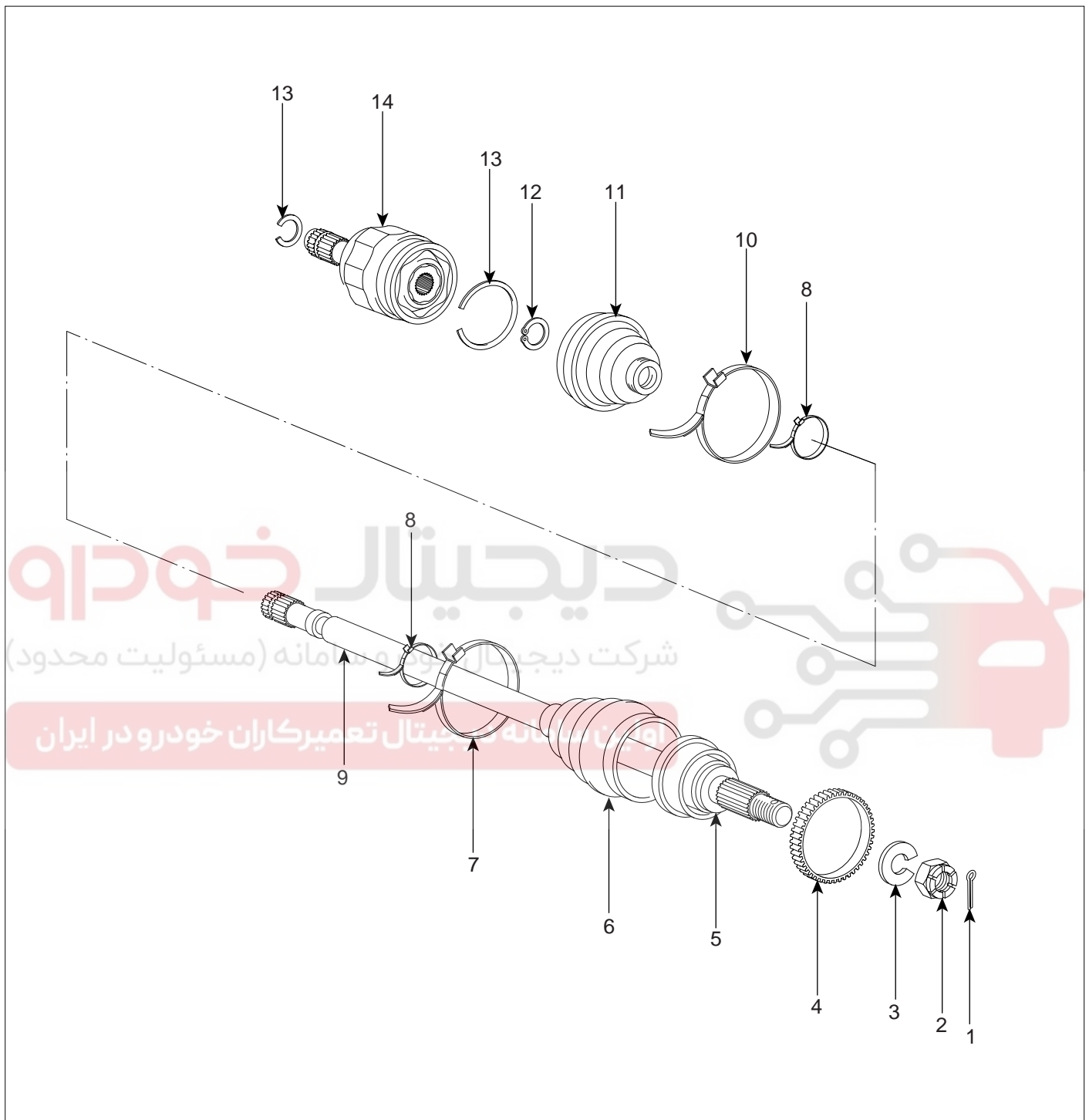


- 1. Rear shock absorber assembly
- 2. Rear upper arm
- 3. Rear lower arm
- 4. Rear coil spring
- 5. Rear stabilizer bar assembly
- 6. Rear stabilizer link assembly
- 7. Rear cross member
- 8. Rear assist arm
- 9. Trailing arm
- 10. Differential Carrier (4WD)
- 11. Drive shaft (4WD)

REAR DRIVESHAFT ASSEMBLY

DS -45

COMPONENT EABF6AAD



- |                            |                            |                  |
|----------------------------|----------------------------|------------------|
| 1. Split pin               | 6. BJ boot                 | 11. DOJ boot     |
| 2. Castle nut              | 7. BJ boot big part band   | 12. Snap ling    |
| 3. Washer                  | 8. Boot small part band    | 13. Circlip      |
| 4. Dust cover & Tone wheel | 9. Shaft                   | 14. DOJ assembly |
| 5. BJ assembly             | 10. DOJ boot big part band |                  |

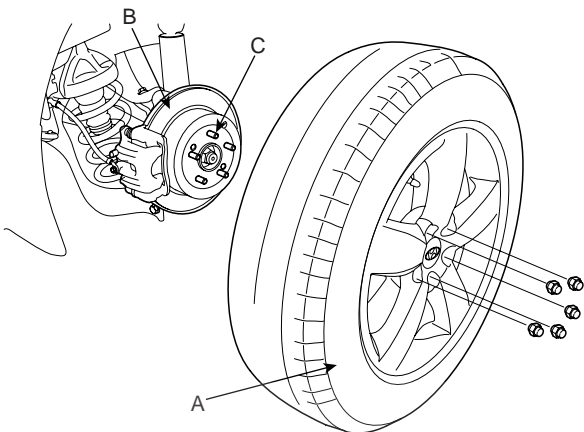
SCMDS6515L

DS -46

DRIVESHAFT AND AXLE

REMOVAL EDC3BEEB

1. Loosen the wheel nuts slightly.  
Raise the vehicle, and make sure it is securely supported.
2. Remove the rear wheel and tire (A) from the rear hub (B).

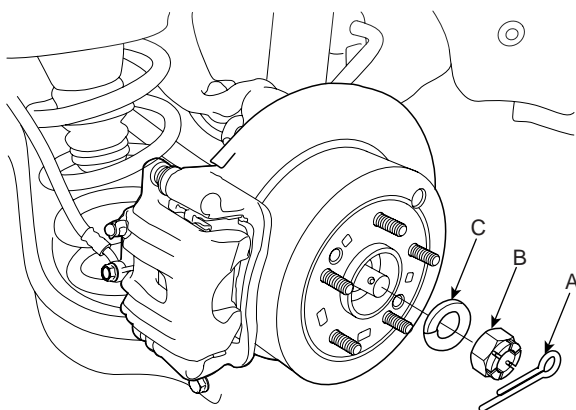


SCMDS6019D

**CAUTION**

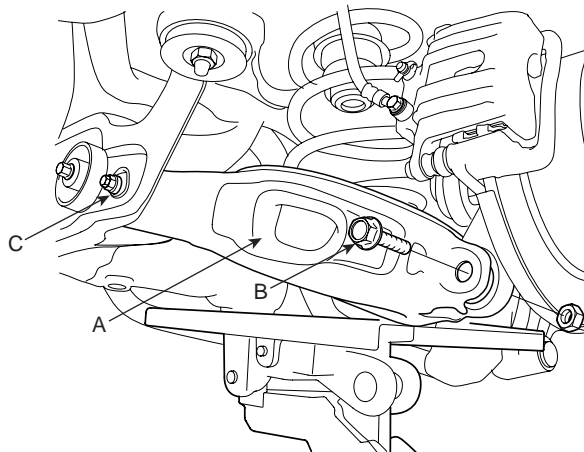
Be careful not to damage to the hub bolts (C) when removing the rear wheel and tire (A).

3. Remove the split pin (A), then remove castle nut (B) and washer (C) from the front hub under applying the brake.



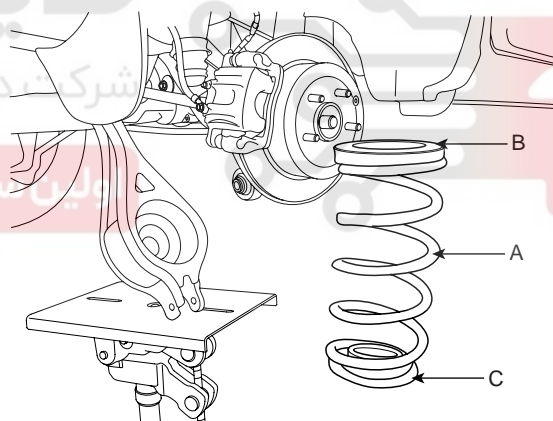
SCMDS6020D

4. Remove the mounting bolt (B) of the rear lower arm (A) and the rear carrier, while supporting the lower arm (A) with a jack as shown in the illustration. Loosen the mounting bolt (C) of the cross member and the rear lower arm.



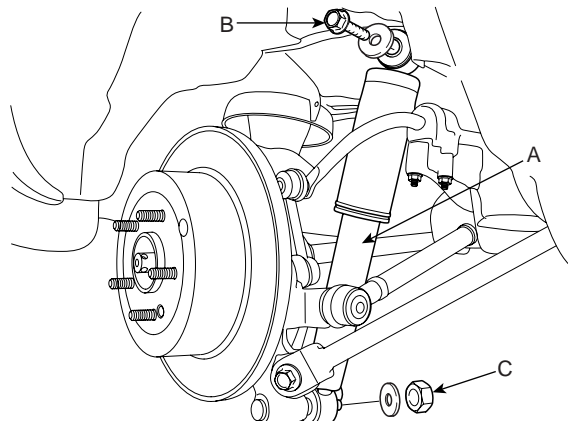
SCMDS6021D

5. Remove the spring (A), the upper pad (B) and the lower pad (C).



SCMDS6022D

6. Remove the rear shock absorber (A).

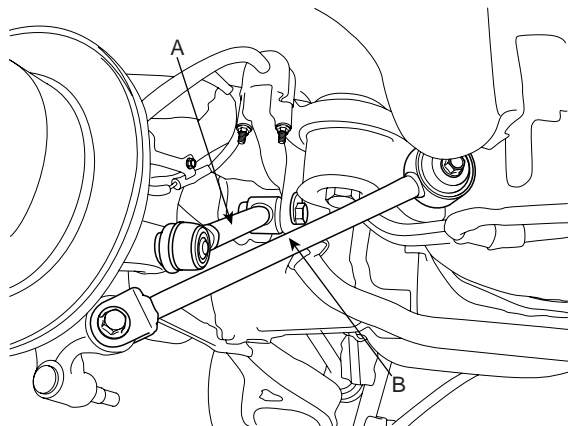


SCMDS6023D

REAR DRIVESHAFT ASSEMBLY

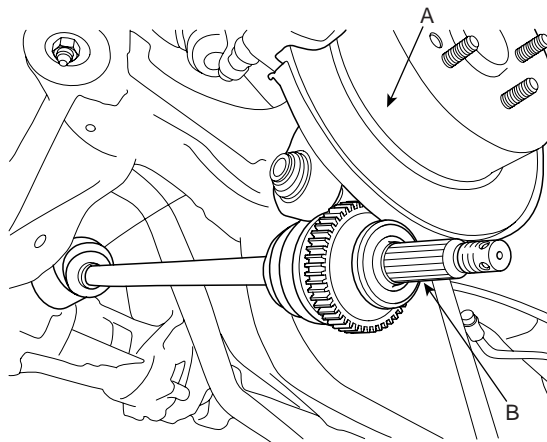
DS -47

7. Remove the assist arm (A) and the trailing arm (B) from the rear axle carrier.



SCMDS6024D

9. Push the rear axle carrier (A) outward and separate the driveshaft (B) from the axle hub (A).

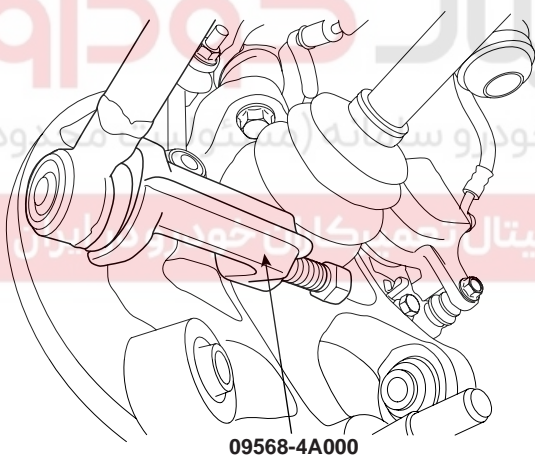


SCMDS6033D

**NOTE**

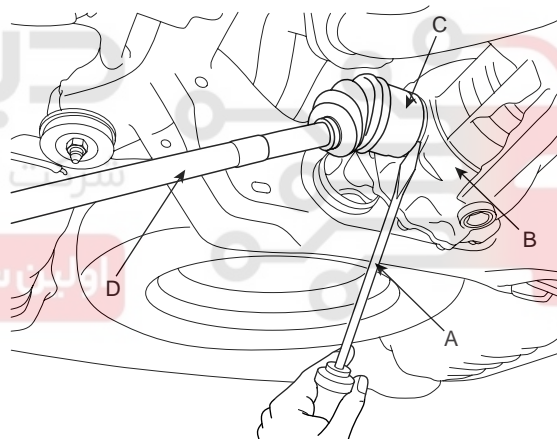
Remove the rear assist arm ball joint by using the special tool(09568-4A000).

10. Insert a pry bar (A) between the differential case (B) and joint case (C), and separate the driveshaft (D) from the differential case.



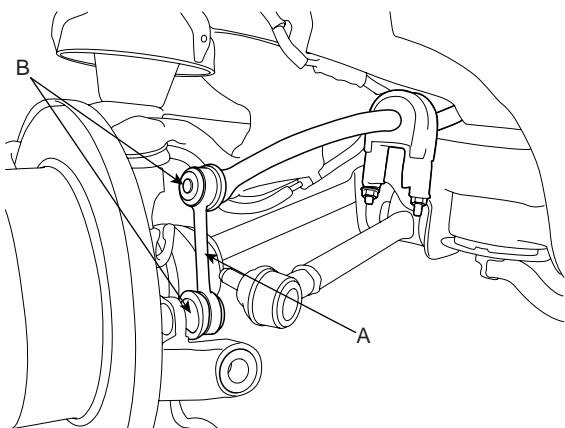
09568-4A000

SCMDS6518L



SCMDS6034D

8. Remove the rear stabilizer link (A) from the rear axle carrier.



SCMDS6026D

**CAUTION**

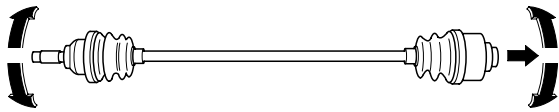
- Use a pry bar (A) being careful not to damage the differential and joint.
- Do not insert the pry bar (A) too deep, as this may cause damage to the oil seal.
- Do not pull the driveshaft by excessive force it may cause components inside the joint kit to dislodge resulting in a torn boot or a damaged bearing.
- Plug the hole of the differential case with the oil seal cap to prevent contamination.
- Support the driveshaft properly.
- Replace the retainer ring whenever the driveshaft is removed from the differential case.

## DS -48

## DRIVESHAFT AND AXLE

## INSPECTION EDB34AB6

1. Check the driveshaft boots for damage and deterioration.
2. Check the ball joint for wear and damage.
3. Check the splines for wear and damage.
4. Check the dynamic damper for cracks, wear and position.



EIKD019A

5. Check the driveshaft for cracks and wears.

## DISASSEMBLY E6EE31E3

**CAUTION**

- Do not disassemble the BJ assembly.
- Special grease must be applied to the drive-shaft joint. Do not substitute with another type of grease.
- The boot band should be replaced with a new one.

1. Remove the DOJ boot bands and pull the DOJ boot from the DOJ outer race.

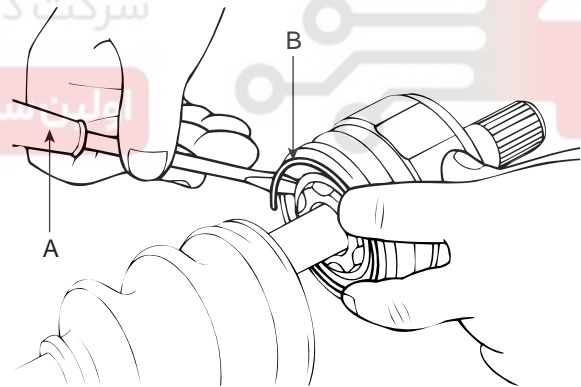
- 1) Using a plier or flat-tipped (-) screwdriver, remove the DOJ boot bands of differential side from the driveshaft.

- 2) Remove BJ boot bands of wheel side in the same way of DOJ boot bands removal procedure.

**CAUTION**

**Be careful not to damage the boot.**

2. Remove the circlip (B) with a flat-tipped (-) screwdriver (A).



KIKD251B



REAR DRIVESHAFT ASSEMBLY

DS -49

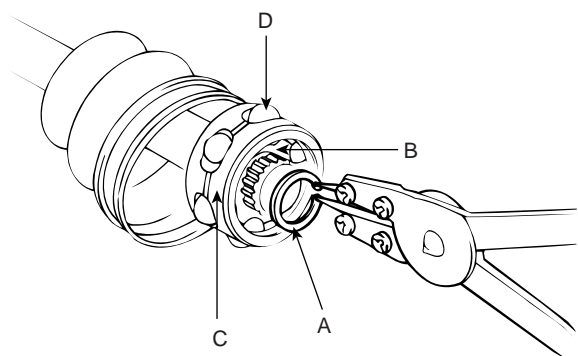
3. Pull out the driveshaft from the DOJ outer race.
4. Remove the snap ring (A) and take out the inner race (B), cage (C) and balls (D) as an assembly.

INSPECTION E9A3C35A

1. Check the DOJ outer race, inner race, cage and balls for rust or damage.
2. Check splines for wear.
3. Check for water, foreign matter, or rust in the BJ boot.

**⚠ CAUTION**

*When the BJ assembly (A) is to be reused, do not wipe away the grease. Check that there are no foreign substances in the grease. If necessary, clean the BJ assembly (A) and replace grease.*

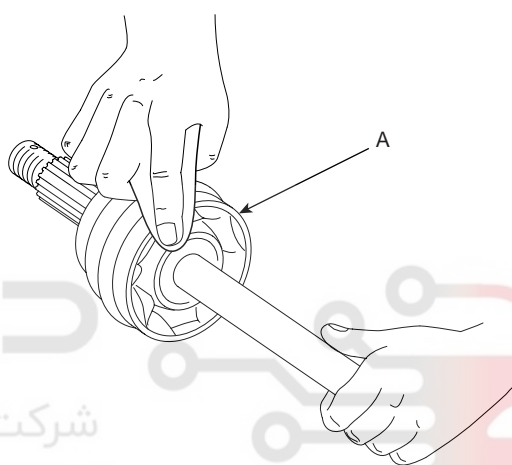


KIKD251C

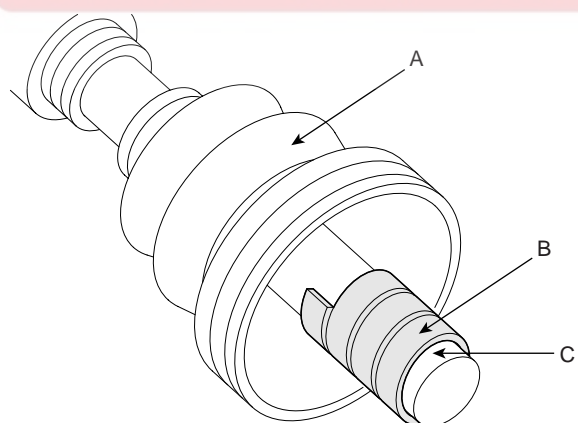
5. Clean the inner race, cage and balls without disassembling.
6. Remove the BJ boot bands and pull out the DOJ boot and BJ boot.

**⚠ CAUTION**

*If the boot (A) is to be reused, wrap tape (B) around the driveshaft splines (C) to protect the boot (A).*



EIKD025A



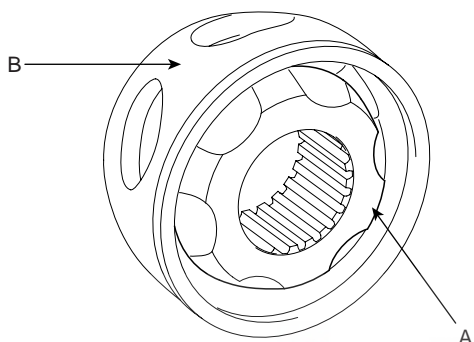
KXDDE14A

DS -50

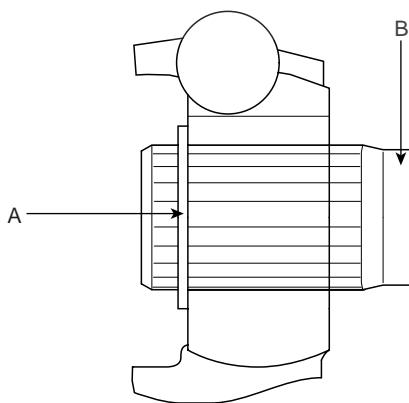
DRIVESHAFT AND AXLE

REASSEMBLY E57EA4AD

1. Wrap tape around the driveshaft splines (DOJ side ) to prevent damage to the boots.
2. Apply grease to the driveshaft and install the boots.
3. Apply the specified grease to the inner race (A) and cage (B). Install the cage (B) so that it is offset on the race as shown.



4. Apply the specified grease to the cage and fit the balls into the cage.
5. Position the chamfered side (A) as shown in the illustration. Install the inner race on the driveshaft (B), and then the snap ring.



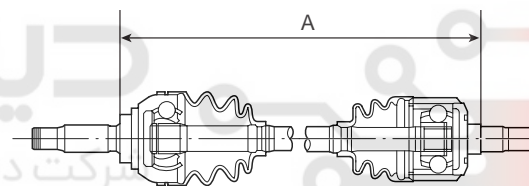
EIKD020A

6. Apply the specified grease to the outer race and install the BJ outer race onto the driveshaft.
7. Apply the specified grease into the DOJ boot and install the boot with a clip.
8. Tighten the DOJ boot bands.
9. Add the specified grease to the BJ as much as wiped away at inspection.
10. Install the boots.
11. Tighten the BJ boot bands.
12. To control the air in the DOJ boot, keep the specified distance between the boot bands when they are tightened.

---

Distance(A) (mm(in)):  
686.8 +22.7 -14.4 (27.04 +0.89 -0.57)

---



EIKD021A

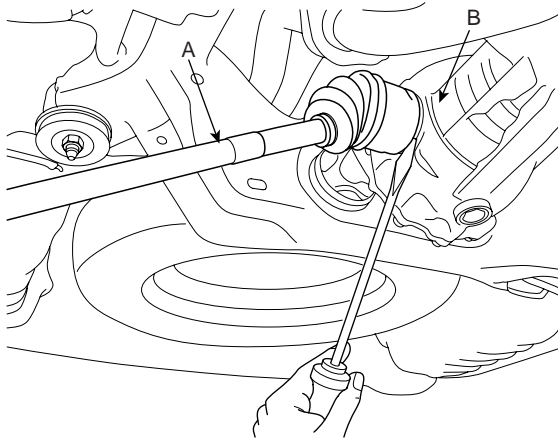
REAR DRIVESHAFT ASSEMBLY

DS -51

INSTALLATION

EDA39BCD

1. Apply gear oil on the oil seal contacting surface of differential case (B) and the driveshaft (A) splines.

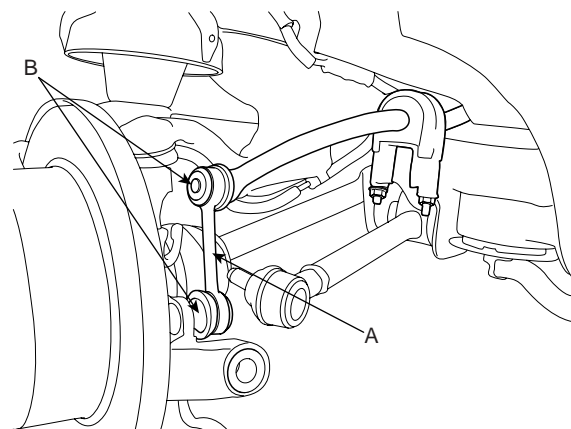


SCMDS6053D

2. Before installing the driveshaft(A), set the opening side of the circlip facing downward.
3. After installation, check that the driveshaft (A) cannot be removed by hand.
4. Install the driveshaft to the rear axle carrier assembly.
5. Install the rear stabilizer link (A) from the rear axle carrier.

**Tightening torque Nm (kgf-m, lb-ft) :**

Nut(B) : 58.8~78.5 (6.0~8.0, 43.4~57.9)



SCMDS6026D

6. Install the assist arm (A) and the trailing arm (B) to the rear axle carrier.

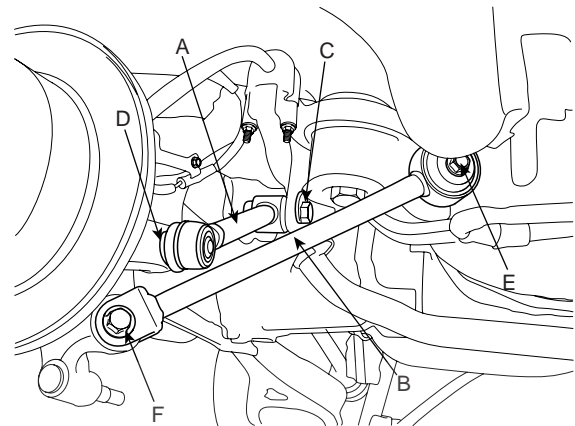
**Tightening torque Nm (kgf-m, lb-ft) :**

Bolt (C) : 137.3~156.9 (14~16, 101.3~115.7)

Nut (D) : 98.1~117.7 (10~12, 72.3~86.8)

Nut (E) : 137.3~156.9 (14~16, 101.3~115.7)

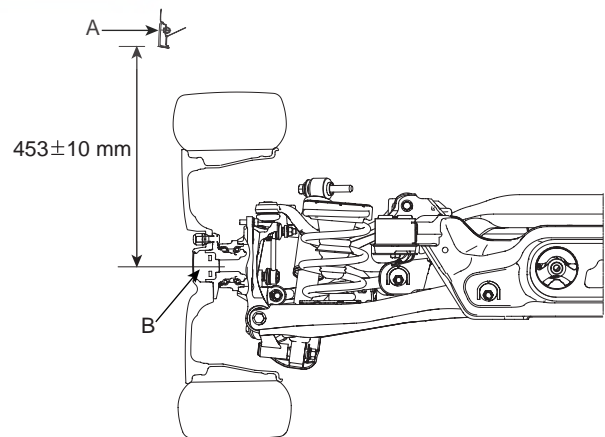
Bol t(F) : 137.3~156.9 (14~16, 101.3~115.7)



SCMDS6052D

**NOTE**

After checking the distance( $453 \pm 10\text{mm}$ ( $17.83 \pm 0.39\text{in}$ )) between the wheel housing garnish(A) and the hub assembly(B) as shown in the illustration, tighten the mounting bolts and nuts of rear chassis part with specified torque.



SCMDS6513D

DS -52

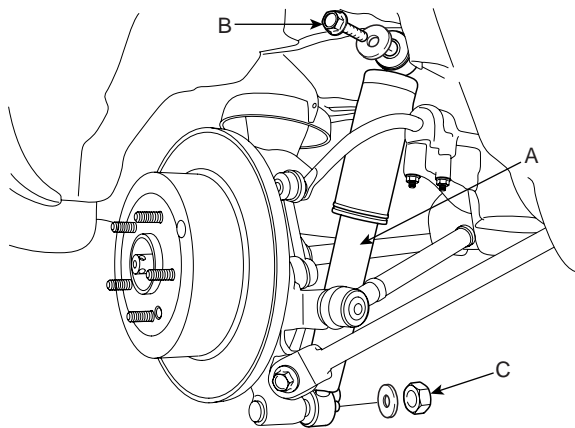
DRIVESHAFT AND AXLE

7. Install the rear shock absorber (A).

**Tightening torque Nm (kgf-m, lb-ft) :**

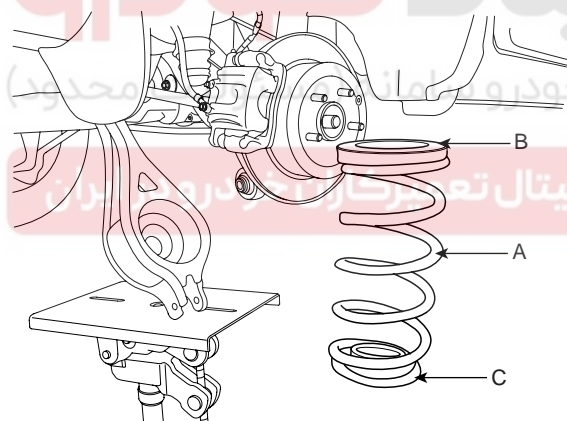
Bolt (B) : 137.3~156.9 (14~16, 101.3~115.7)

Nut (C) : 98.1~117.7 (10.0~12.0, 72.3~86.8)



SCMDS6023D

8. Install the spring (A), the upper pad (B) and the lower pad (C).



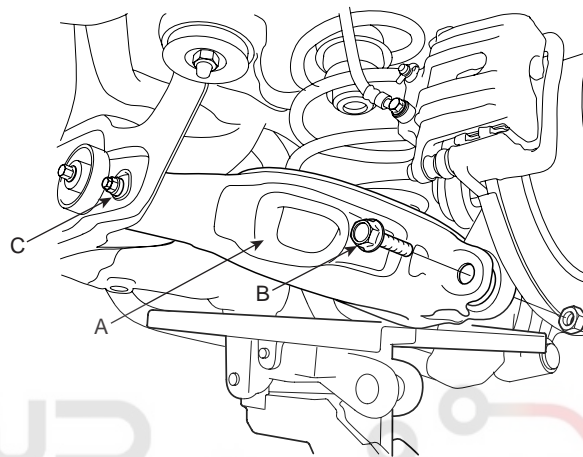
SCMDS6022D

9. Install the mounting bolt (B) of the rear lower arm (A) and the rear carrier with a specified torque, while supporting the lower arm (A) with a jack as shown in the illustration. Tighten the mounting bolt (C) of the cross member and the rear lower arm with a specified torque.

**Tightening torque Nm (kgf-m, lb-ft) :**

Bolt (B) : 137.3~156.9 (14~16, 101.3~115.7)

Nut (C) : 137.3~156.9 (14~16, 101.3~115.7)

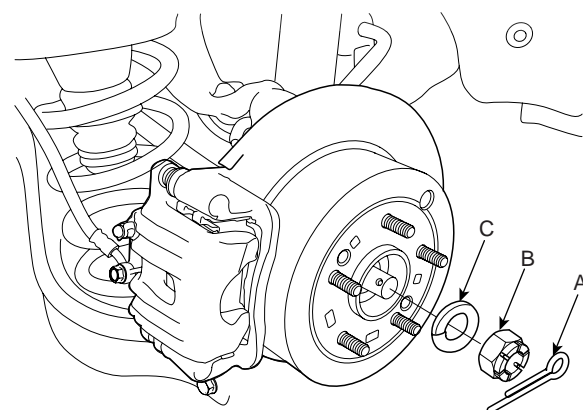


SCMDS6021D

10. Install the washer (C), castle nut (B) and split pin (A) to the rear hub assembly.

**Tightening torque Nm (kgf-m, lb-ft) :**

196.1~255.0 (20~26, 144.7~188.1)

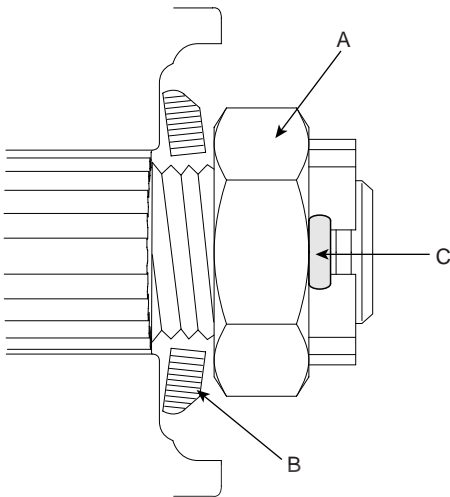


SCMDS6020D

REAR DRIVESHAFT ASSEMBLY

**⚠ CAUTION**

The washer (B) should be assembled with convex surface outward when installing the castle nut (A) and split pin (C).

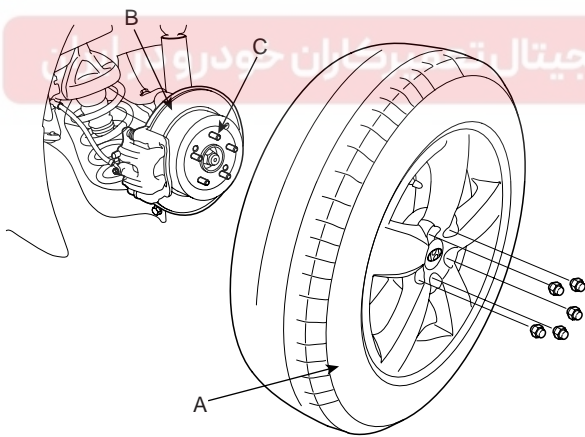


EIKD010A

11. Install the wheel and tire (A) to the rear hub (B).

**Tightening torque Nm (kgf-m, lb-ft) :**

88.3~107.9 (9~11, 65.1~79.6)



SCMDS6019D

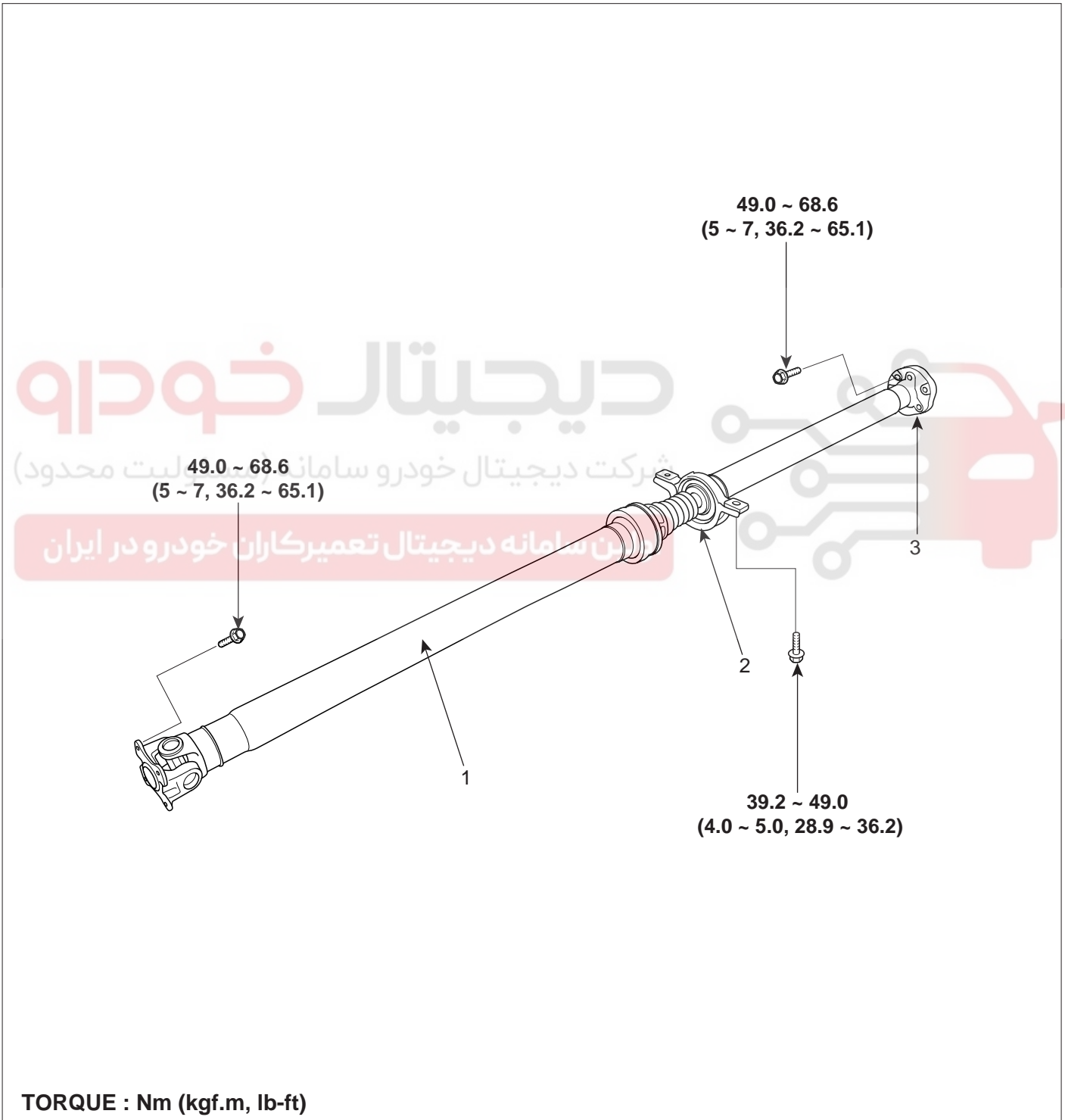
**⚠ CAUTION**

Be careful not to damage the hub bolts (C) when installing the rear wheel and tire (A).

# PROPELLER SHAFT ASSEMBLY

## PROPELLER SHAFT

COMPONENT EAD08B0F



- 1. Front propeller shaft
- 2. Center bearing bracket
- 3. Rear propeller shaft

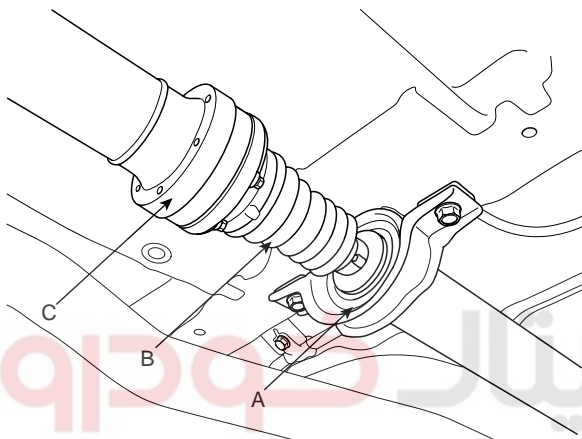
**PROPELLER SHAFT ASSEMBLY**

**DS -55**

**INSPECTION** EDBA5EEC

**CV JOINT AND BOOTS**

1. Shift the transaxle to Neutral.
2. Raise the vehicle off the ground, and support it with safety stands in the proper locations.
3. Check the center bearing (A) for excessive play or rattle and rubber for rent. If the center bearing (A) has excessive play or rattle and rubber has rent, replace the propeller shaft assembly.



4. Check the CV joint boot (B) for damage and deterioration. If the boot is damaged or deteriorated, replace the propeller shaft assembly.
5. Check the CV joint (C) for excessive play or rattle. If the CV joint have excessive play or rattle, replace the propeller shaft assembly.

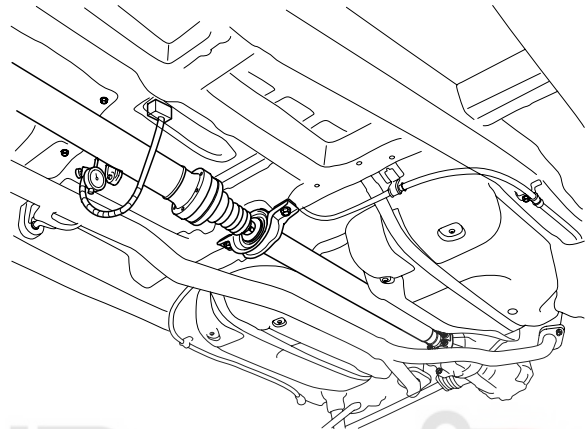
**PROPELLER SHAFT RUNOUT**

1. Install a dial indicator with its needle on the center of front propeller shaft or rear propeller shaft.
2. Turn the propeller shaft slowly and check the runout. Repeat this procedure for the other propeller shaft.

---

Front Propeller Shaft Runout : 0.3mm (0.012in.)

---

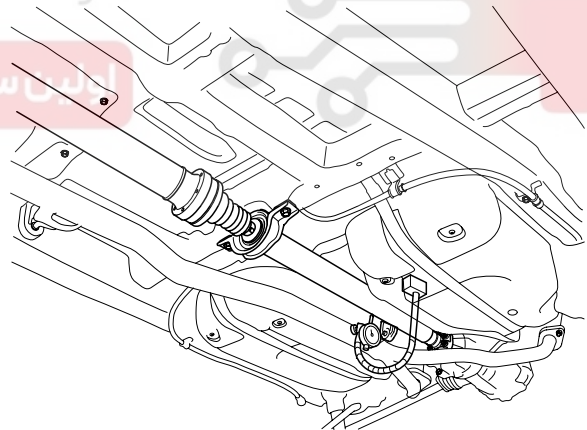


SCMDS6037D

---

Rear Propeller Shaft Runout : 0.3mm (0.012in.)

---



SCMDS6055D

3. If the runout on either propeller shaft exceeds the service limit, replace the propeller shaft assembly.

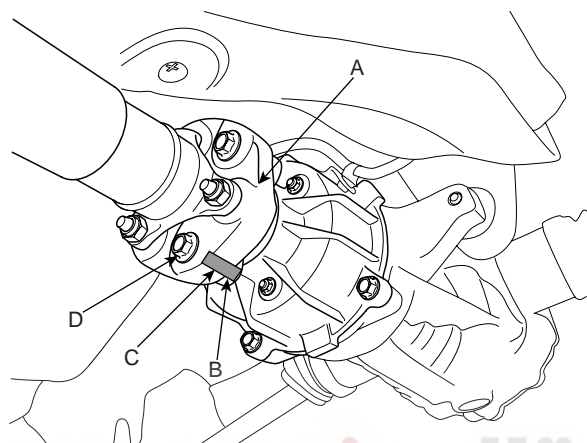
DS -56

DRIVESHAFT AND AXLE

REMOVAL EC587D0E

1. After making a match mark (C) on the rubber coupling (A) and rear differential companion (B), remove the propeller shaft mounting bolts (D).

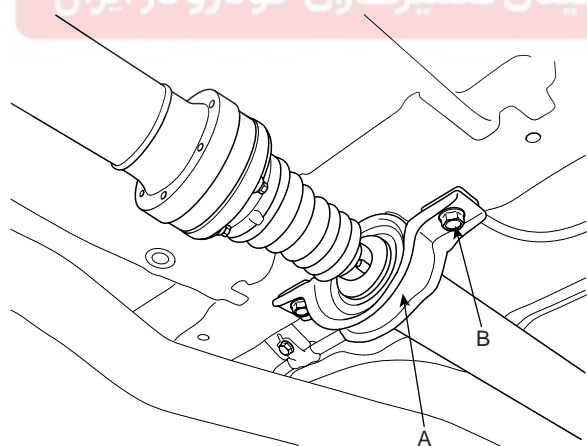
**Tightening torque Nm (kgf-m, lb-ft) :**  
49.0~68.6 (5~7, 36.2~50.6)



SCMDS6038D

2. Remove the center bearing bracket (A) mounting bolts (B).

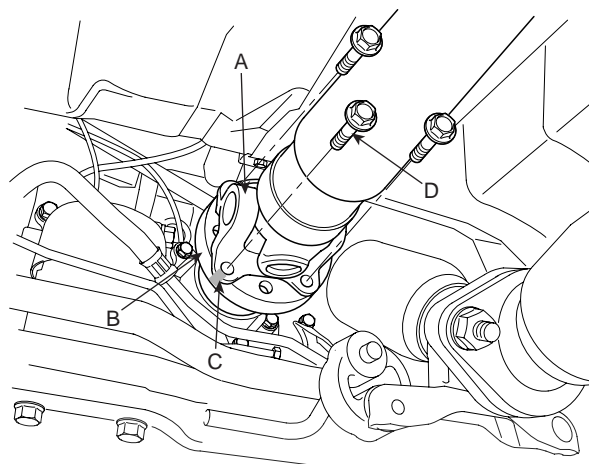
**Tightening torque Nm (kgf-m, lb-ft) :**  
39.2~49.0 (4~5, 28.9~36.2)



SCMDS6054D

3. After making a match mark (C) on the flange yoke (A) and transaxle companion (B), remove the propeller shaft mounting bolts (D).

**Tightening torque Nm (kgf-m, lb-ft) :**  
49.0~68.6 (5~7, 36.2~50.6)



SCMDS6510D

**CAUTION**

*Use the hexagonal wrench to prevent damage of bolt head when removing bolts (D).*

4. Installation is the reverse of the removal procedures



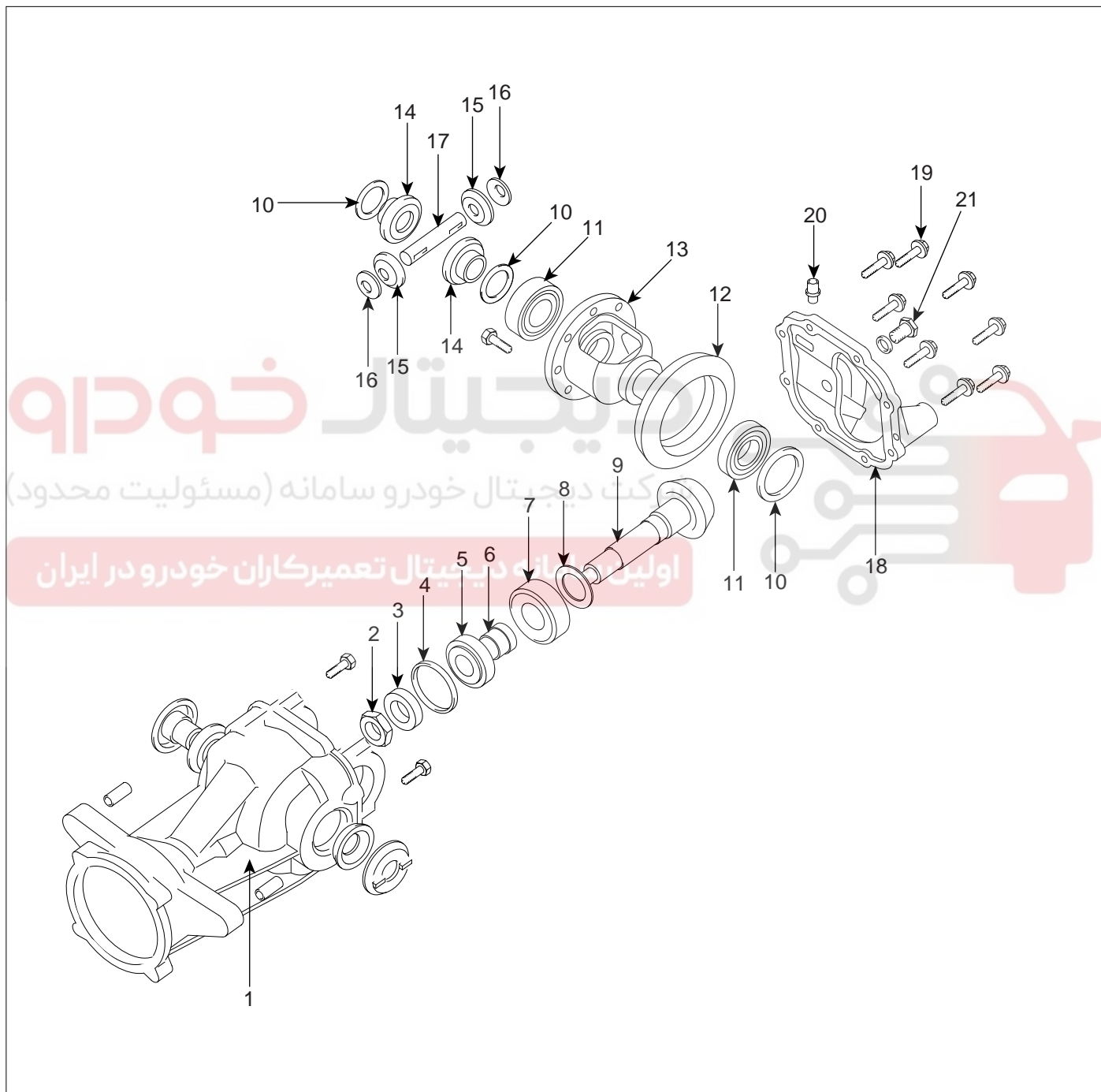
DIFFERENTIAL CARRIER ASSEMBLY

DS -57

DIFFERENTIAL CARRIER ASSEMBLY

DIFFERENTIAL CARRIER (4WD)

COMPONENT E7DDEA5A



- |                          |                               |                                       |
|--------------------------|-------------------------------|---------------------------------------|
| 1. Differential carrier  | 8. Inner bearing adjust shim  | 15. Pinion gear                       |
| 2. Pinion locking nut    | 9. Drive gear                 | 16. Thrust washer                     |
| 3. Oil seal guide        | 10. Oil seal                  | 17. Differential pinion shaft         |
| 4. Pinion oil seal       | 11. Differential side bearing | 18. Differential cover                |
| 5. Outer pinion bearing  | 12. Ring gear                 | 19. Differential cover mounting bolts |
| 6. Pinion bearing spacer | 13. Differential              | 20. Breather                          |
| 7. Inner pinion bearing  | 14. Cam side gear             | 21. Filler plug                       |

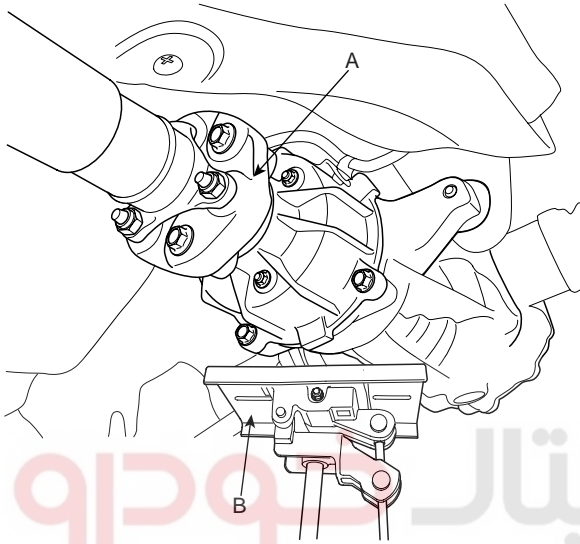
DS -58

DRIVESHAFT AND AXLE

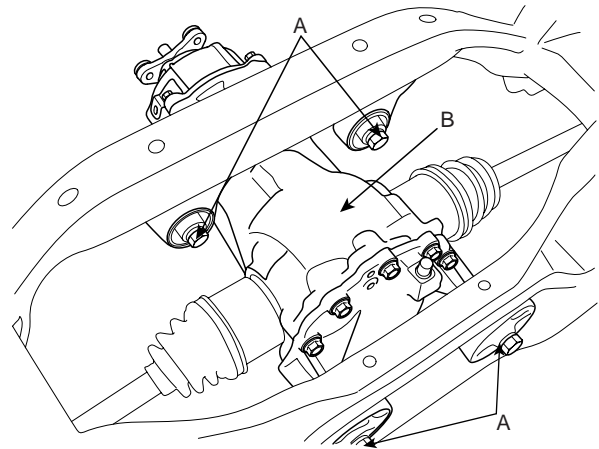
REMOVAL EE8D3F42

1. Drain the differential gear oil.
2. Remove the rear drive shaft.
3. Remove the propeller shaft.
4. Support the differential assembly (A) with the jack (B).

6. After loosen the differential mounting bolts (A), and remove the differential (B).



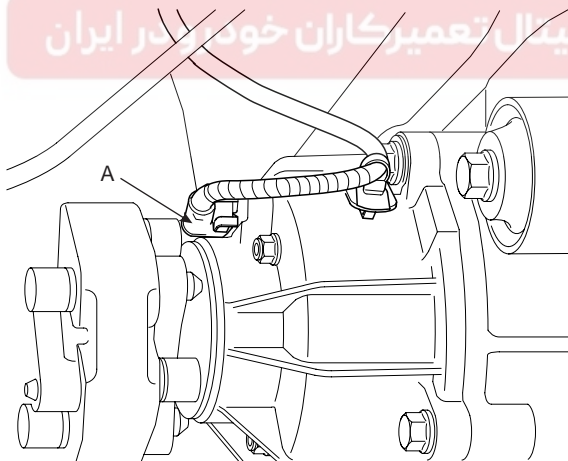
SCMDS6056D



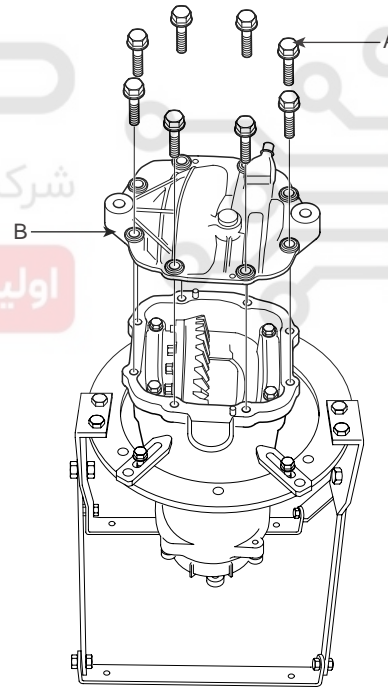
SCMDS6039D

7. After loosen the cover bolts (A), and remove the differential cover (B).

5. Disconnect the coupling control connector (A).



KIQE600B



SCMDS6514D

**DIFFERENTIAL CARRIER ASSEMBLY**

**DS -59**

**INSPECTION** E92AFA1B

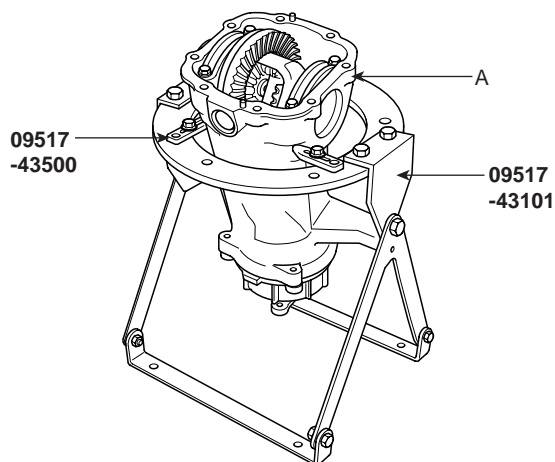
Install the differential carrier assembly(A) with the special tools(09517-43101 & 09517-43500).Then carry out the following inspection.

2. Check the drive gear back-face lash by the following procedure.
  - 1) Place a dial gauge on the back-face of the drive gear and measure the runout.

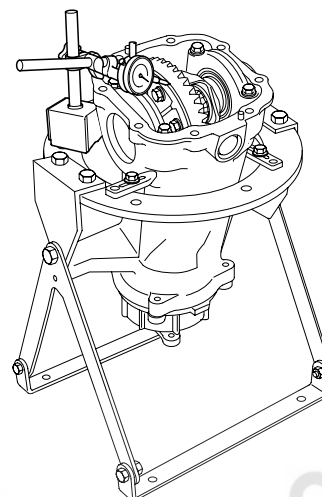
---

Limit : 0.05 mm (0.002 in)

---



KIQE610A



KIQE610C

1. Check the final drive gear backlash by the following procedure.
  - 1) Place the drive pinion and move the drive gear to check backlash is within the standard range.

- 2) If the runout is beyond the limit, check that there are no foreign substances between the drive gear and differential case and, that the bolts fixing the drive gear are not loose.

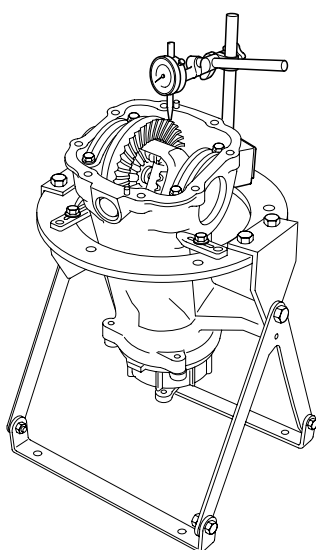
**NOTE**

Measure at 4 points on the gear periphery.

---

Standard value :  
0.10 ~ 0.15mm (0.0039 ~ 0.0059in.)

---



KIQE610B

DS -60

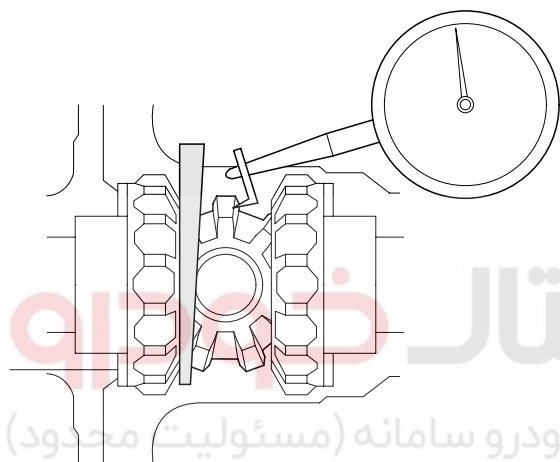
DRIVESHAFT AND AXLE

3. Check the differential carrier backlash by the following procedure.
  - 1) Fix the side gear with a wedge so it cannot move and measure the differential gear backlash with a dial indicator on the pinion gear.

Standard value :  
0 ~ 0.05 mm (0 ~ 0.002 in)

**NOTE**

Take the measurements at two places on the pinion gear.



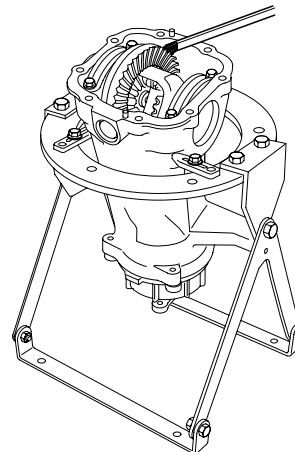
KISE610E

- 2) If the backlash exceeds the limit, adjust using side bearing spacers.

**NOTE**

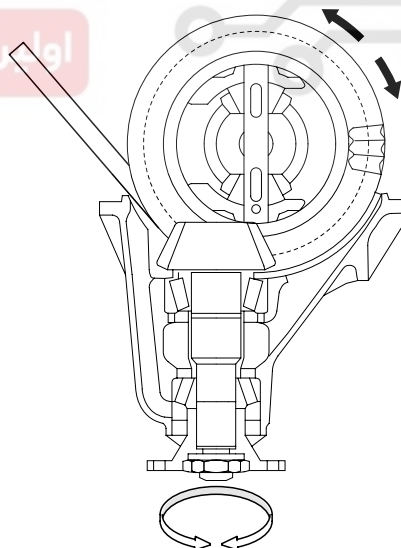
If adjustment is impossible, replace the side gear and pinion gear as a set.

4. Check the tooth contact of the final drive gear by the following procedure.
  - 1) Apply the same amount of machine blue slightly to both surfaces of the drive gear teeth.



KIQE610D

- 2) Insert a brass rod between the differential carrier and the differential case, and then rotate the companion flange by hand (once in the normal direction, and then once in the reverse direction) while applying a load to the drive gear so that some torque (approximately 25~30Nm) is applied to the drive pinion.



KISE610G

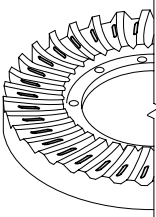
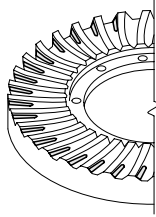
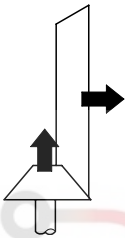
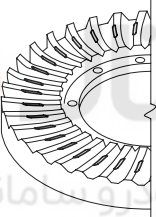
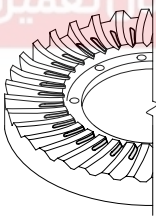
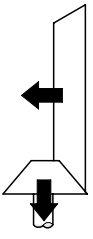
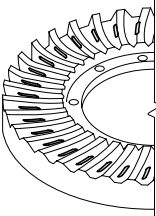
**CAUTION**

If the drive gear is rotated too much, the tooth contact pattern will become unclear and difficult to check.

DIFFERENTIAL CARRIER ASSEMBLY

DS -61

3) Check the tooth contact pattern.

Tooth contact	Contact state	Solution	
Standard contact	 <p style="text-align: right;">KISE610H</p>		
1. Heal contact	 <p style="text-align: right;">KISE650A</p>	<p>Increase the thickness of the pinion height adjusting shim, and position the drive pinion closer to the center of the drive gear.</p> <p>Also, for backlash adjustment, reposition the drive gear further from the drive pinion.</p>	 <p style="text-align: right;">KISE630A</p>
2. Face contact	 <p style="text-align: right;">KISE650B</p>		
3. Toe contact	 <p style="text-align: right;">KISE650C</p>	<p>Decrease the thickness of the pinion height adjusting shim, and position the drive pinion further from the center of the drive gear.</p> <p>Also, for backlash adjustment, reposition the drive gear closer to the drive pinion.</p>	 <p style="text-align: right;">KISE630B</p>
4. Flank contact	 <p style="text-align: right;">KISE650D</p>		

 **NOTE**

- Tooth contact pattern is a method for judging the result of the adjustment of drive pinion height and final drive gear backlash. The adjustment of drive pinion height and final drive gear backlash should be repeated until the tooth contact patterns are similar to the standard tooth contact pattern.

- When you cannot obtain a correct pattern, the drive gear and drive pinion have exceeded their limits. Both gears should be replaced as a set.

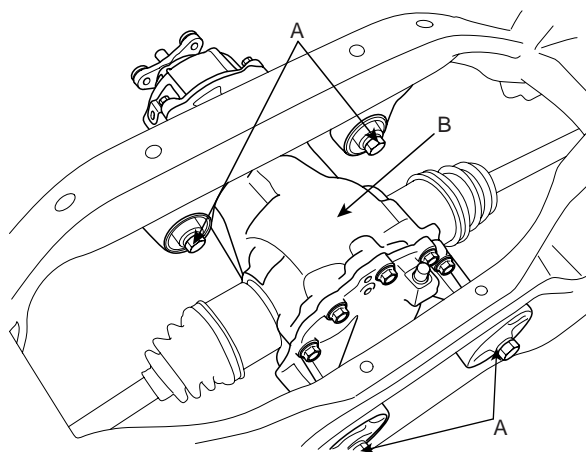
**DS -62**

**DRIVESHAFT AND AXLE**

5. Check the oil leaks and the lip part for chew or wear.
6. Check the bearings for wear or discoloration.
7. Check the gear carrier for cracks.
8. Check the drive pinion and drive gear for wear or cracks.
9. Check the side gears, pinion gears and pinion shaft for wear or damage.
10. Check the side gear spline for wear or damage.

2. After install the differential (B), and install the mounting bolts (A).

**Tightening torque Nm (kgf-m, lb-ft) :**  
68.6~88.3 (7~9, 50.6~65.1)



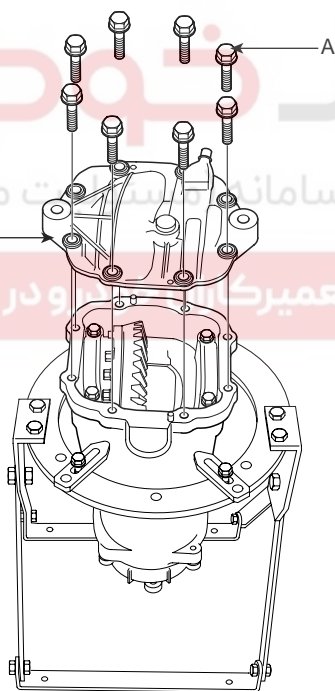
SCMDS6039D

**INSTALLATION**

E3E9CFB5

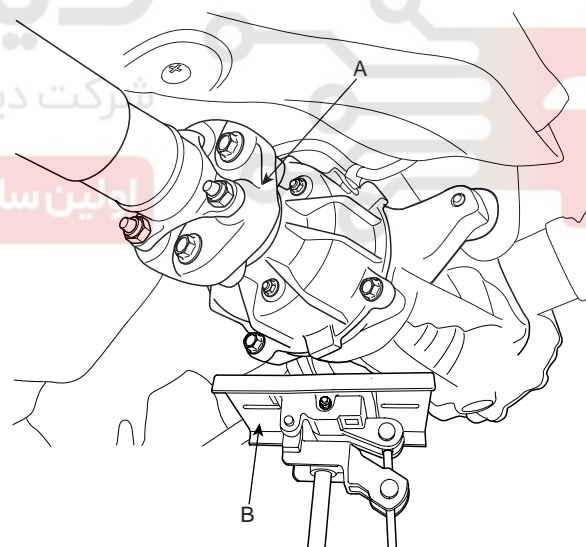
1. After apply liquid gasket, install the differential cover (B), and install the mounting bolts (A).

**Tightening torque Nm (kgf-m, lb-ft) :**  
39.2~49.0 (4~5, 28.9~36.2)



SCMDS6514D

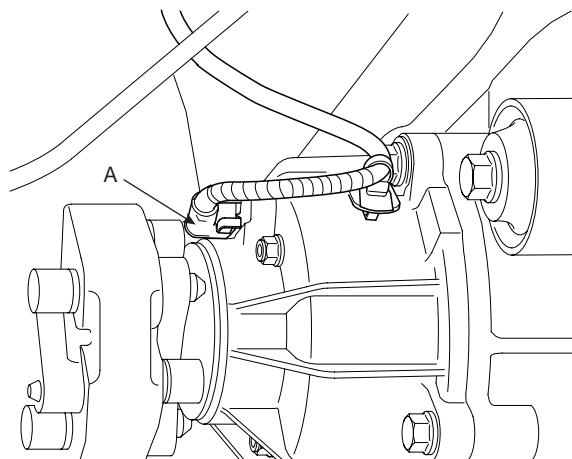
3. Using the transaxle jack (B), install the differential assembly (A).



SCMDS6056D

**DIFFERENTIAL CARRIER ASSEMBLY****DS -63**

4. Connect the coupling control connector (A).



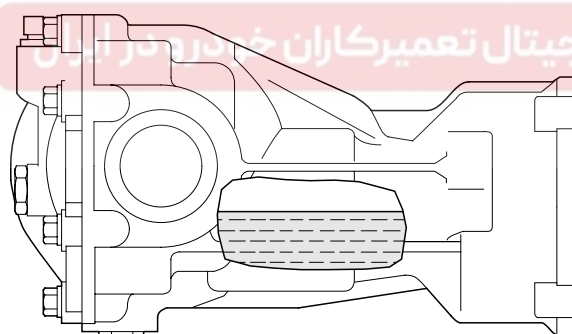
KIQE600B

5. Install the propeller shaft.
6. Install the rear drive shaft.
7. Fill the gear oil.

Specified lubricant:

Hypoid gear oil (API GL-5, SAE 75W/90)

Oil quantity : Fill the reservoir to the plug hold (About 0.9 L)



KIQE640A