

Repair Manual for Brilliance V5

Exhaust System

دیجیتال خودرو

شرکت دیجیتال خودرو سامانه (مسئولیت محدود)

اولین سامانه دیجیتال تعمیرکاران خودرو در ایران



Contents

Section I Overview.....	1
Section II Exhaust Piping.....	1

دیجیتال خودرو

شرکت دیجیتال خودرو سامانه (مسئولیت محدود)

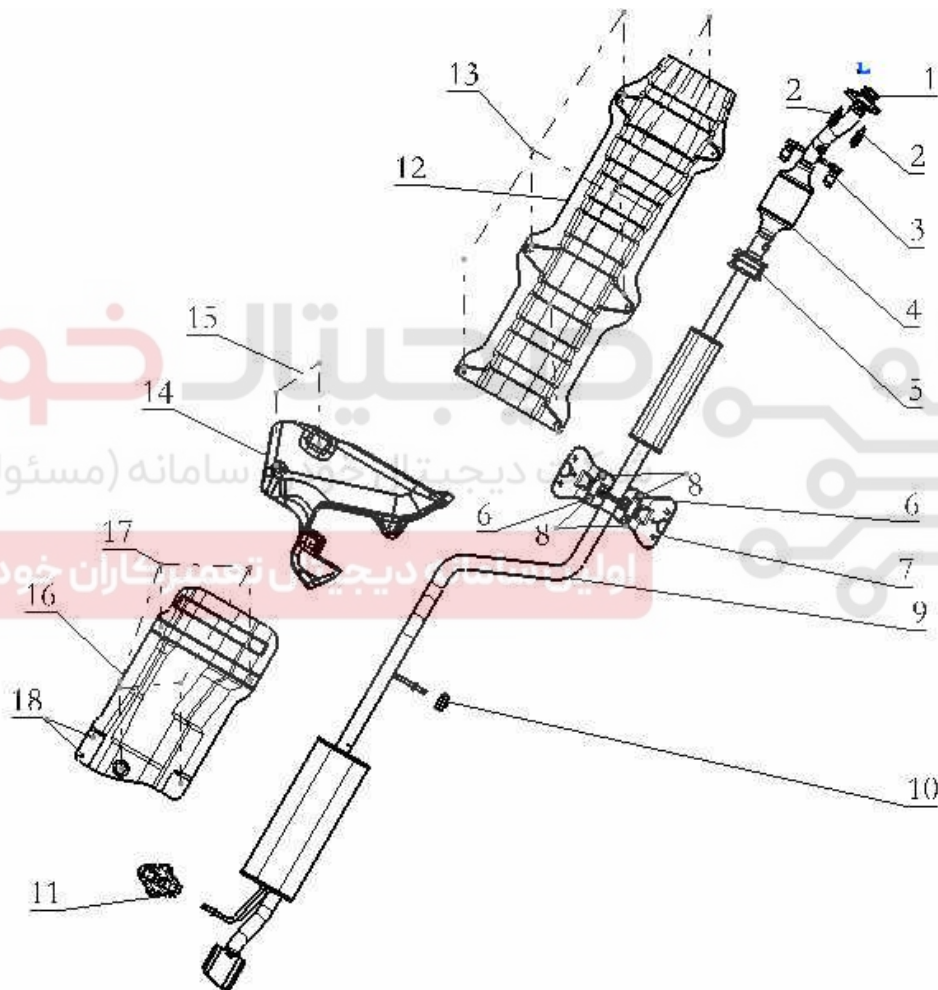
اولین سامانه دیجیتال تعمیرکاران خودرو در ایران



Section I Overview

The exhaust system is mainly divided into four parts: assembly of front pipe and catalyst, assembly of middle silencer and rear silencer (including main silencer), heat insulating board and lifting lug.

Section II Exhaust Piping



Disassembly steps:

Assembly of front exhaust pipe

- (1) Seal washer of exhaust front pipe
- (2) Bolt with spring (moment: 50-55N.m)
- (3) Assembly of catalytic converter suspension
- (4) Assembly of front pipe and catalyst
- (5) Asbestos pad of converter

Central exhaust pipe

- (6) First lifting lug of central pipe
- (7) Rear beam in lower part of central channel
- (8) Bolt (moment: 18-23N.m)
- (9) Assembly of middle silencer and rear silencer
- (10) Assembly of front suspension of silencer
- (11) Assembly of silencer cradle and suspension

Heat insulating board

- (12) Heat insulating board in lower part of car body
- (13) Nut (moment: $5\pm 0.5N.m$)
- (14) Heat insulating board of oil tank
- (15) Nut (moment: $5\pm 0.5N.m$)
- (16) Heat insulating board of rear silencer
- (17) Nut (moment: $5\pm 0.5N.m$)
- (18) Bolt (moment: 18-23N.m)

Notes:

1. Catalytic converter is the key part of exhaust system, which should be handled with care. The direction of installation is determined according to the arrow direction on the part surface (the arrow direction refers to airflow direction).
2. An appropriate torque wrench should be used with even force in both ends according to technical requirements.

شرکت دیجیتال خودرو (مسئولیت محدود)

اولین سامانه دیجیتال تعمیرکاران خودرو در ایران

