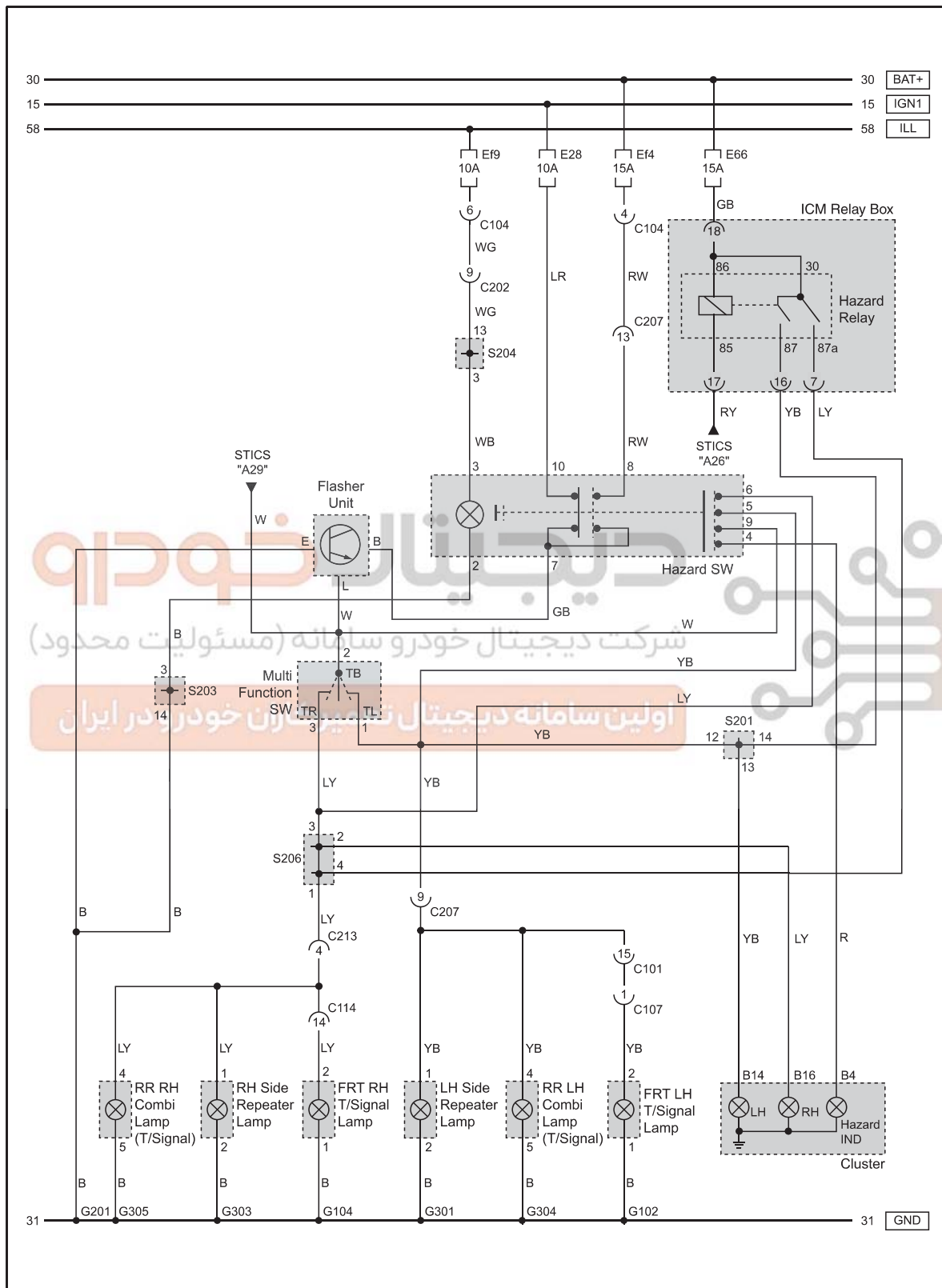


8410-00 TURN SIGNAL / HAZARD LAMP CIRCUIT



CIRCUIT

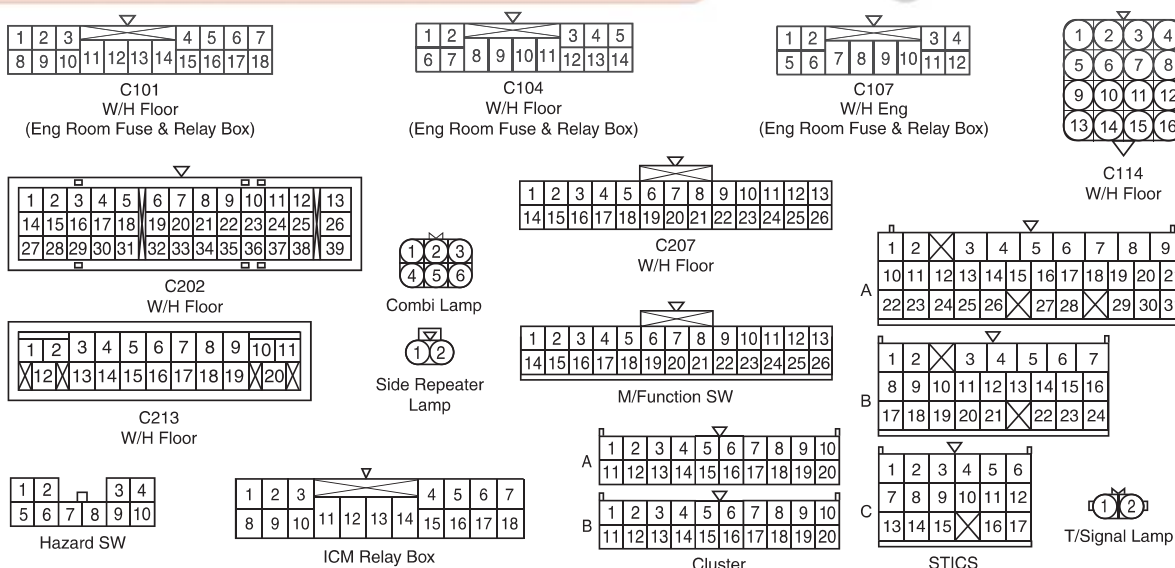
ACTYON 2010.01

Modification basis	
Application basis	
Affected VIN	

(1) CONNECTOR INFORMATION

Connector Number (Pin Number, Color)	Connecting Wiring Harness	Connector Position	Remark
C101 (18Pin, White)	W/H Floor - Eng Room Fuse & Relay Box	Eng Room Fuse & Relay Box	
C104 (14Pin, White)	W/H Floor - Eng Room Fuse & Relay Box	Eng Room Fuse & Relay Box	
C107 (12Pin, White)	W/H Eng - Eng Room Fuse & Relay Box	Eng Room Fuse & Relay Box	
C114 (16Pin, Black)	W/H Eng - W/H Floor	Inside RH Fender PNL	
C202 (39Pin, Black)	W/H Main - W/H Floor	Driver Cowl Side C/Holder	
C207 (26Pin, White)	W/H Main - W/H Floor	Upper the Driver Legroom	C/Holder
C213 (20Pin, Red)	W/H Main - W/H Floor	Passenger Cowl Side C/Holder	
G102	W/H Eng Room	Behind LH Head Lamp	
G104	W/H Eng Room	Behind RH Head Lamp	
G201	W/H Main	Under the Driver Cowl Side PNL	Under C/Holder
G301	W/H Floor	Under the Driver Seat	
G303	W/H Floor	Under the Passenger Seat	
G304	W/H Floor	Driver QTR PNL (Under the QTR Glass)	
G305	W/H Floor	Passenger QTR PNL (Under the QTR Glass)	
S201 (14Pin, Black)	W/H Main	RH Protector of the Driver Legroom	
S203 (14Pin, Black)	W/H Main	RH Protector of the Driver Legroom	GND
S204 (14Pin, Black)	W/H Main	RH Protector of the Driver Legroom	ILL
S206 (8Pin, Black)	W/H Main	Upper the PTC Protector	IGN1, T/Signal

(2) CONNECTOR IDENTIFICATION SYMBOL & PIN NUMBER POSITION



Modification basis	
Application basis	
Affected VIN	