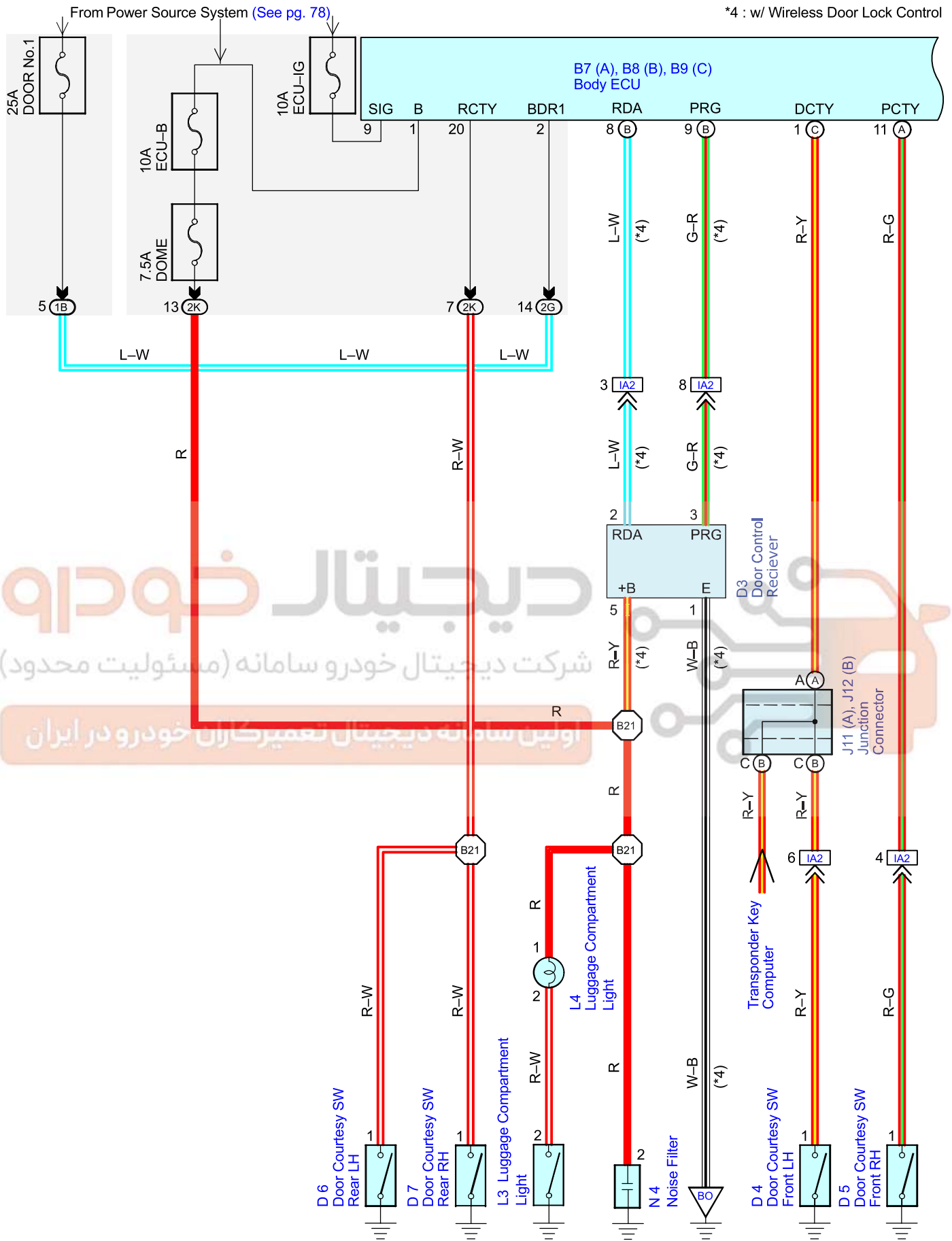


Door Lock Control (LHD)

System Outline

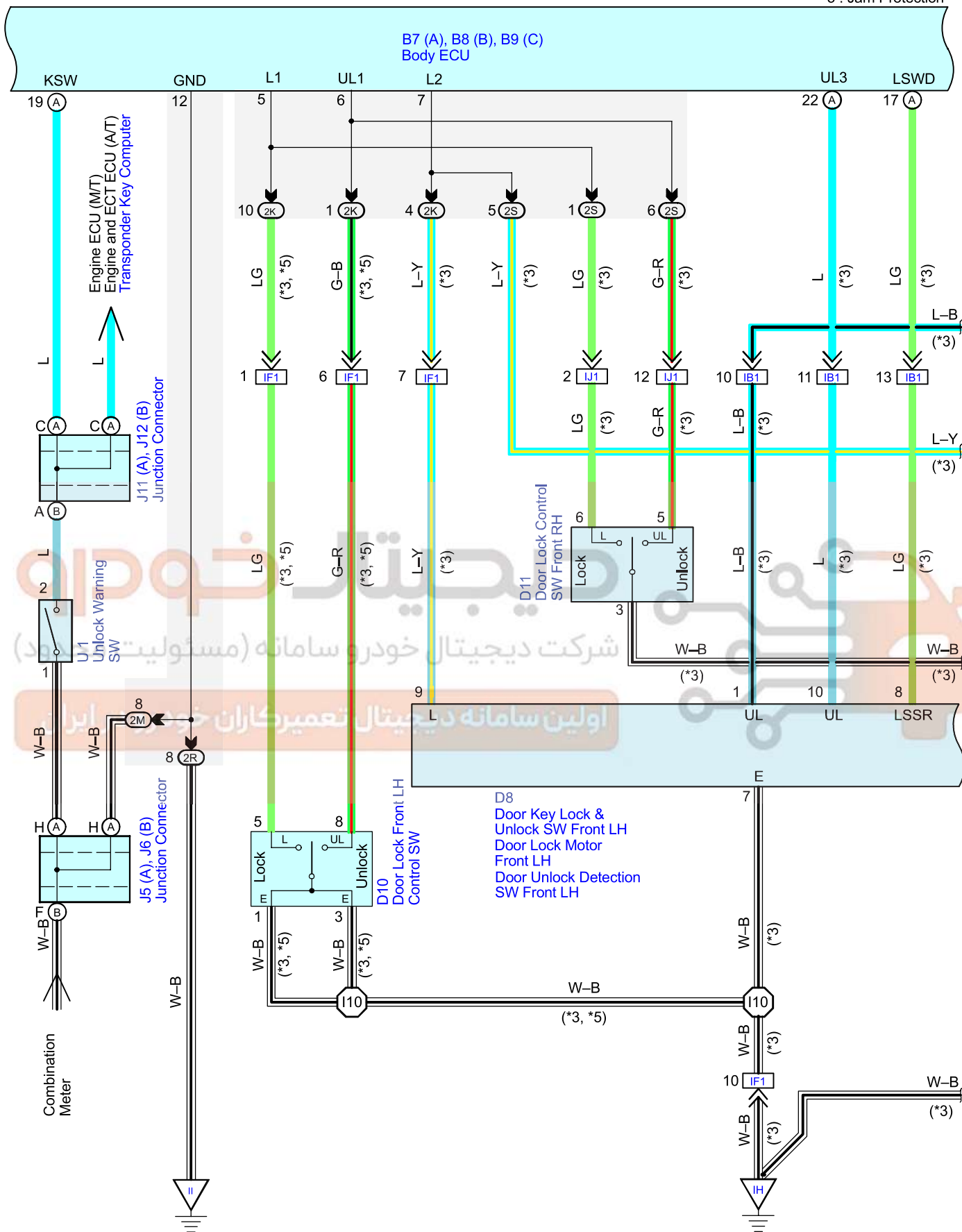
Service Hints



*4 : w/ Wireless Door Lock Control

دیجیتال خودرو
 شرکت دیجیتال خودرو سامانه (مسئولیت محدود)
 اولین سامانه دیجیتال تعمیرکاران خودرو در ایران

* 3 : Door Lock Control
* 5 : Jam Protection

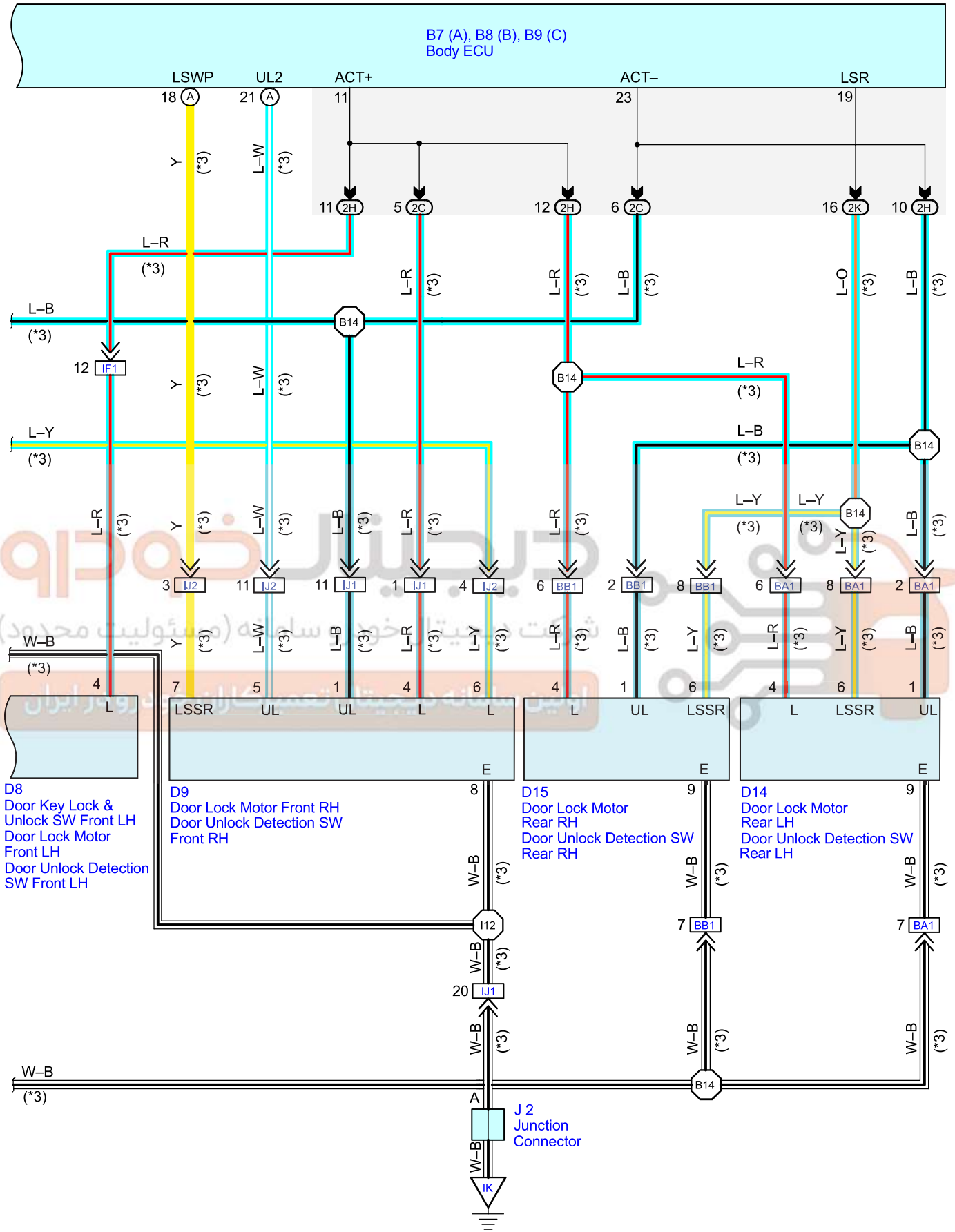


Door Lock Control (LHD)

System Outline

Service Hints

* 3 : Door Lock Control



System Outline**1. Manual Unlock Operation**

When the door lock control SW of the driver's side door is pushed to UNLOCK, the door lock will unlock.

2. Manual Lock Operation

When the door lock control SW of the driver's side door is pushed to LOCK, the door lock will lock.

3. Door Key Unlock Operation

* Unlock operation from driver's side door

When the driver's side door is unlocked once using the ignition key, all the other doors are unlocked.

* Unlock operation from front passenger's side door

When the front passenger's side door is unlocked using the ignition key, all the other doors are unlocked.

Service Hints**Body ECU**

9-Ground : Approx. 12 volts with ignition SW at ON or ST position

12, 24-Ground : Always continuity

1, 2-Ground : Always approx. 12 volts

○ : Parts Location

Code		See Page	Code		See Page	Code		See Page
B7	A	36 (LHD)	D8		38 (LHD)	J11	A	37 (LHD)
B8	B	36 (LHD)	D9		38 (LHD)	J12	B	37 (LHD)
B9	C	36 (LHD)	D10		38 (LHD)	L3		38 (LHD)
D3		38 (LHD)	D11		38 (LHD)	L4		38 (LHD)
D4		38 (LHD)	D14		38 (LHD)	N4		38 (LHD)
D5		38 (LHD)	D15		38 (LHD)	U1		37 (LHD)
D6		38 (LHD)	J5	A	37 (LHD)			
D7		38 (LHD)	J6	B	37 (LHD)			

○ : Junction Block and Wire Harness Connector

Code	See Page	Junction Block and Wire Harness (Connector Location)
1B	24	Engine Room Main Wire and Engine Room J/B
2C	26	Instrument Panel Wire and Driver Side J/B
2G		Engine Room Main Wire and Driver Side J/B
2H		Floor Wire and Driver Side J/B
2K		
2M		Instrument Panel Wire and Driver Side J/B
2R		
2S		

□ : Connector Joining Wire Harness and Wire Harness

Code	See Page	Joining Wire Harness and Wire Harness (Connector Location)
BA1	60 (LHD)	Rear Door LH Wire and Floor Wire (Left Center Pillar)
BB1	60 (LHD)	Rear Door RH Wire and Floor Wire (Right Center Pillar)
IA2	55 (LHD)	Instrument Panel Wire and Floor Wire (Left Kick Panel)
IB1	55 (LHD)	Front Door LH Wire and Instrument Panel Wire (Left Kick Panel)
IF1	55 (LHD)	Front Door LH Wire and Floor Wire (Left Kick Panel)
IJ1	58 (LHD)	Rear Door RH Wire and Floor Wire (Left Center Pillar)
IJ2	58 (LHD)	Rear Door RH Wire and Floor Wire (Left Center Pillar)

Door Lock Control (LHD)

▽ : Ground Points

Code	See Page	Ground Points Location
BO	60 (LHD)	Front Side of Rear Quarter Wheel House LH
IH	55 (LHD)	Left Kick Panel
II	55 (LHD)	Instrument Panel Reinforcement LH
IK	55 (LHD)	Instrument Panel Brace RH

○ : Splice Points

Code	See Page	Wire Harness with Splice Points	Code	See Page	Wire Harness with Splice Points
B14	60 (LHD)	Floor Wire	I12	58 (LHD)	Instrument Panel Wire
B21	60 (LHD)		I10	58 (LHD)	Instrument Panel Brace

دیجیتال خودرو

شرکت دیجیتال خودرو سامانه (مسئولیت محدود)

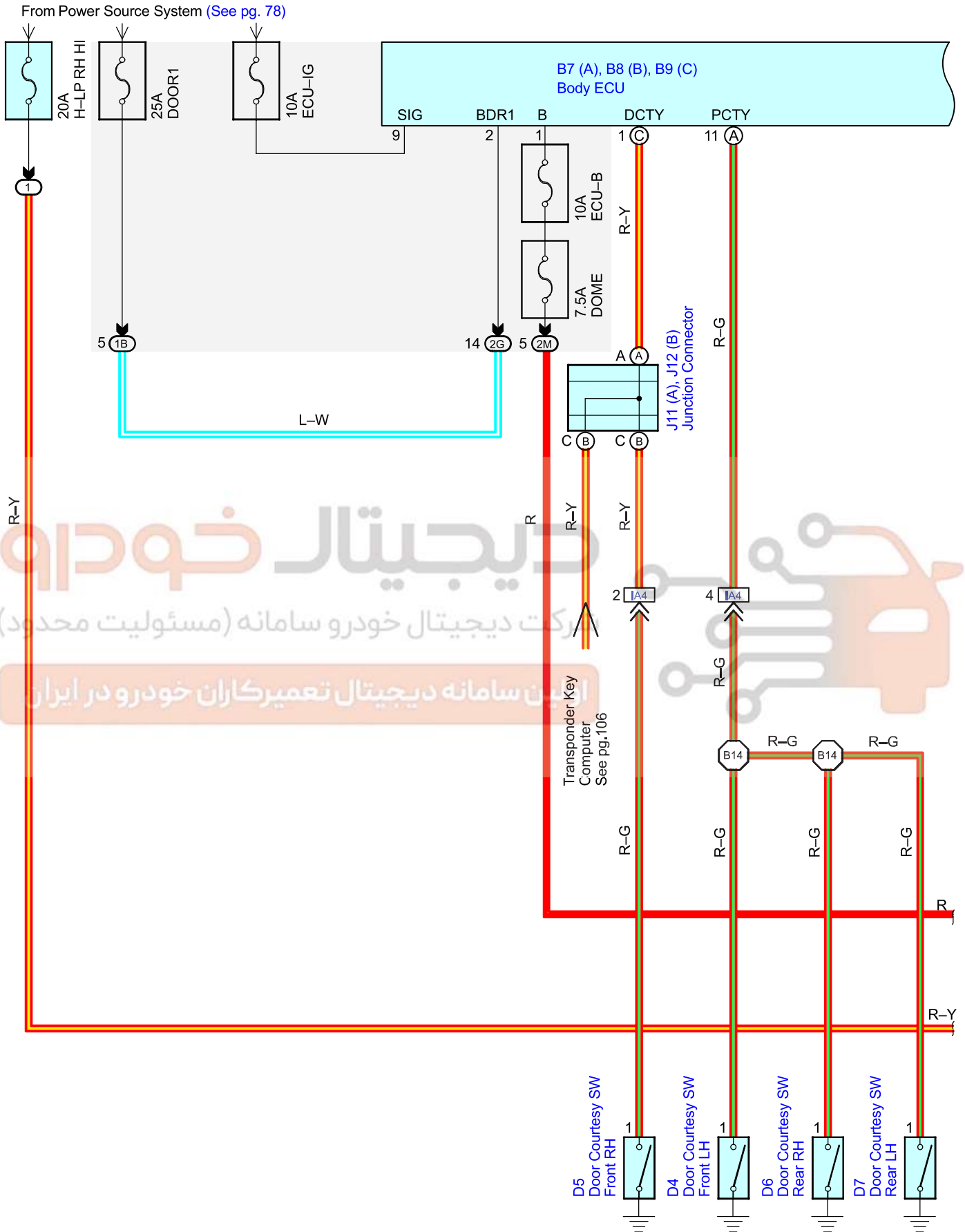
اولین سامانه دیجیتال تعمیرکاران خودرو در ایران



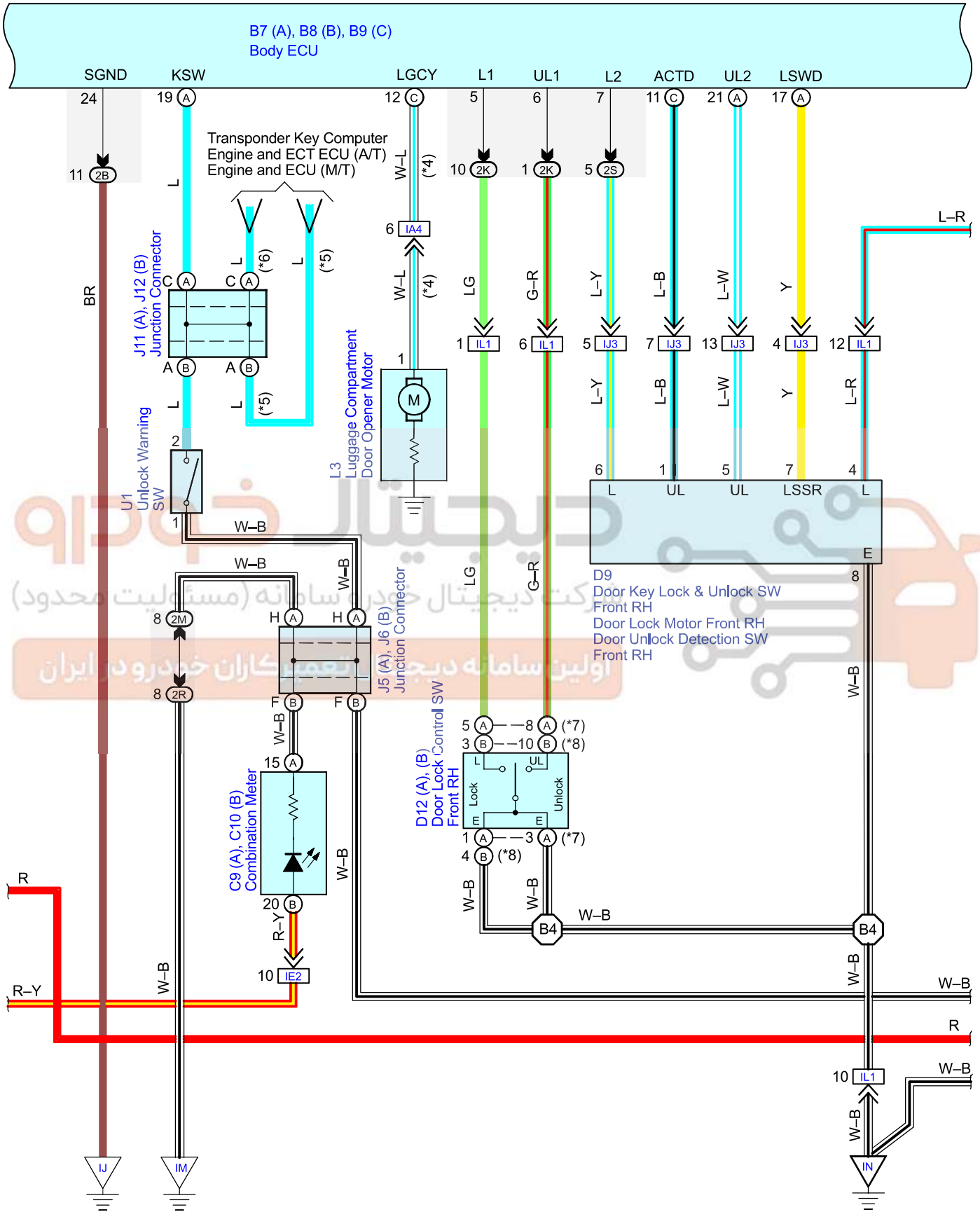
Door Lock Control (RHD)

System Outline

Service Hints



- * 4 : w/ Luggage Compartment Door Opener
- * 5 : RHD 1MZ-FE
- * 6 : 2AZ-FE
- * 7 : w/ Jam Protection
- * 8 : w/o Jam Protection

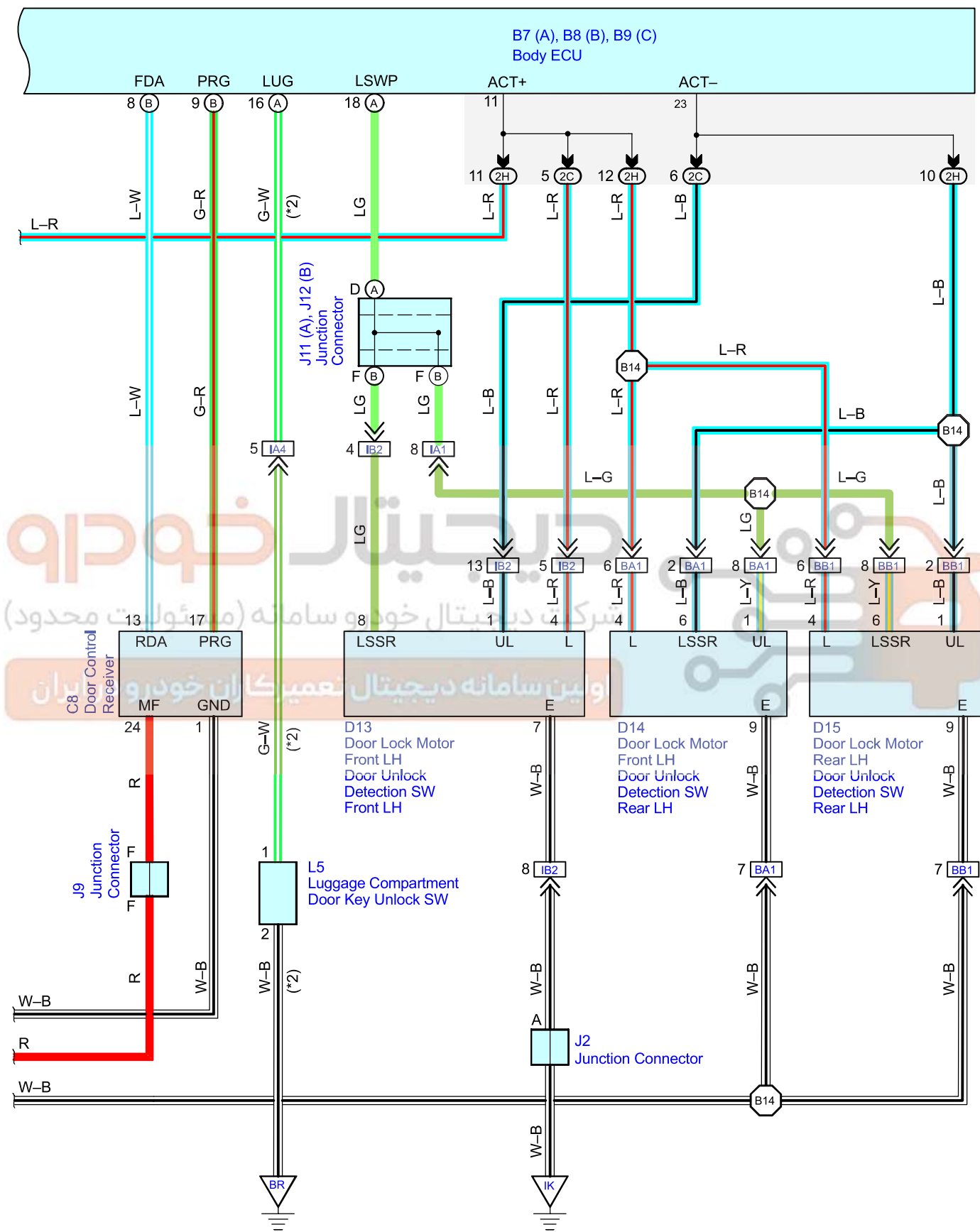


Door Lock Control (RHD)

System Outline

Service Hints

* 2 : w/ Theft Deterrent System



System Outline**1. Manual Unlock Operation**

When the door lock control SW of the driver's side door is pushed to UNLOCK, the door lock will unlock.

2. Manual Lock Operation

When the door lock control SW of the driver's side door is pushed to LOCK, the door lock will lock.

3. Door Key Unlock Operation

* Unlock operation from driver's side door

When the driver's side door is unlocked once using the ignition key, all the other doors are unlocked.

* Unlock operation from front passenger's side door

When the front passenger's side door is unlocked using the ignition key, all the other doors are unlocked.

Service Hints**Body ECU**

9-Ground : Approx. 12 volts with ignition SW at ON or ST position

12, 24-Ground : Always continuity

1, 2-Ground : Always approx. 12 volts

○ : Parts Location

Code		See Page	Code		See Page	Code		See Page
B7	A	46 (RHD)	D7		48 (RHD)	J9		47 (RHD)
B8	B	46 (RHD)	D8		48 (RHD)	J11	A	47 (RHD)
B9	C	46 (RHD)	D9		48 (RHD)	J12	B	47 (RHD)
C8		46 (RHD)	D12		48 (RHD)	L3		48 (RHD)
C9	A	46 (RHD)	D13		48 (RHD)	L5		48 (RHD)
C10	B	46 (RHD)	D14		48 (RHD)	U1		47 (RHD)
D3		48 (RHD)	D15		48 (RHD)			
D4		48 (RHD)	J2		47 (RHD)			
D5		48 (RHD)	J5	A	47 (RHD)			
D6		48 (RHD)	J6	B	47 (RHD)			

○ : Relay Blocks

Code	See Page	Relay Blocks (Relay Block Location)
1	22	Engine Room R/B

○ : Junction Block and Wire Harness Connector

Code	See Page	Junction Block and Wire Harness (Connector Location)
1B	24	Engine Room Main Wire and Engine Room J/B (Engine Compartment Left)
2B	26	Instrument Panel Wire and Driver Side J/B
2C	26	Instrument Panel Wire and Driver Side J/B
2G	26	Engine Room Main Wire and Driver Side J/B
2H	26	Floor Wire and Driver Side J/B
2K		
2R	26	Instrument Panel Wire and Driver Side J/B
2S		
2M	26	Instrument Panel Wire and Driver Side J/B

Door Lock Control (RHD)

☐ : Connector Joining Wire Harness and Wire Harness

Code	See Page	Joining Wire Harness and Wire Harness (Connector Location)
BA1	72 (RHD)	Rear Door LH Wire and Floor Wire (Left Center Pillar)
BB1	72 (RHD)	Rear Door RH Wire and Floor Wire (Right Center Pillar)
IA4	67 (RHD)	Instrument Panel Wire and Floor Wire (Right Kick Panel)
IB2	67 (RHD)	Front Door LH Wire and Instrument Panel Wire (Left Kick Panel)
IE2	67 (RHD)	Engine Room Main Wire and Instrument Panel Wire RH
IJ3	70 (RHD)	Front Door RH Wire and Instrument Panel Wire (Right Kick Panel)
IL1	70 (RHD)	Front Door RH Wire and Floor Wire (Right Kick Panel)

▽ : Ground Points

Code	See Page	Ground Points Location
BR	72 (RHD)	Front Side of Rear Quarter Wheel House RH
IJ	67 (RHD)	Instrument Panel Brace RH
IK	67 (RHD)	Instrument Panel Brace RH
IM	67 (RHD)	Instrument Panel Reinforcement RH
IN	67 (RHD)	Right Kick Panel

⊠ : Splice Points

Code	See Page	Wire Harness with Splice Points	Code	See Page	Wire Harness with Splice Points
B4	72	Floor Wire	B14	72	Floor Wire

دیجیتال خودرو

شرکت دیجیتال خودرو سامانه (مسئولیت محدود)

اولین سامانه دیجیتال تعمیرکاران خودرو در ایران

