

# Body (Interior and Exterior)

## GENERAL

MECHANICAL SPECIFICATIONS .....	BD - 2
ALL SPECIAL TOOLS AND EQUIPMENT	BD - 4
GENERAL DIAGNOSTICS AND TESTS .	BD - 6

## EXTERIOR

### HOOD

REPLACEMENT .....	BD - 8
ADJUSTMENT .....	BD -12

### TAIL GATE

REPLACEMENT .....	BD -13
ADJUSTMENT .....	BD -22

### FRONT DOOR

EXPLODED VIEW .....	BD -23
REMOVAL .....	BD -25
REPLACEMENT .....	BD -26
ADJUSTMENT .....	BD -32

### REAR DOOR

EXPLODED VIEW .....	BD -35
REMOVAL .....	BD -37
REPLACEMENT .....	BD -38
ADJUSTMENT .....	BD -43

### BODY SIDE MOLDINGS

REPLACEMENT .....	BD -44
-------------------	--------

### SUN ROOF

EXPLODED VIEW .....	BD -47
INSPECTION .....	BD -48
REPLACEMENT .....	BD -49
ADJUSTMENT .....	BD -54

### MIRROR

EXPLODED VIEW .....	BD -56
REPLACEMENT .....	BD -57

## INTERIOR

### CONSOLE

EXPLODED VIEW .....	BD -58
REPLACEMENT .....	BD -59

### CRASH PAD

EXPLODED VIEW .....	BD -61
REPLACEMENT .....	BD -62

### INTERIOR TRIM

REPLACEMENT .....	BD -69
-------------------	--------

### WINDSHIELD GLASS

EXPLODED VIEW .....	BD -72
REPLACEMENT .....	BD -73

### QUARTER GLASS

REPLACEMENT .....	BD -77
-------------------	--------

## BUMPER

### FRONT BUMPER

REPLACEMENT .....	BD -80
-------------------	--------

### REAR BUMPER

REPLACEMENT .....	BD -82
-------------------	--------

## SEAT

### FRONT SEAT

EXPLODED VIEW .....	BD -83
REPLACEMENT .....	BD -84

### REAR SEAT

EXPLODED VIEW .....	BD -91
REPLACEMENT .....	BD -92

### SEAT BELT

EXPLODED VIEW .....	BD -99
REPLACEMENT .....	BD100

BD -2

BODY (INTERIOR AND EXTERIOR)

**GENERAL****MECHANICAL SPECIFICATIONS****SPECIFICATIONS** EFC3AF4F

<b>HOOD</b> • Type	Rear hinged, front opening type
<b>FRONT DOOR</b> • Construction • Regulator system • Locking system	Front hinged, full door construction X-arm type Pin-fork system
<b>REAR DOOR</b> • Construction • Regulator system • Locking system	Front hinged, full door construction X-arm type Pin-fork system
<b>TAILGATE</b> • Type	Inner hinged, Gas lifter
<b>GLASS THICKNESS mm (in.)</b> • Windshield glass • Front window glass • Rear fixed glass • Rear window glass	Laminated clear, tinted 5 (0.20) 3.2 (0.13) 3.5 (0.15) 3.2 (0.13)
<b>SEAT BELTS</b> • Type	3 point type with E.L.R (Emergency locking retractor)

اولین سامانه دیجیتال تعمیرکاران خودرو در ایران

## GENERAL

BD -3

## TIGHTENING TORQUE

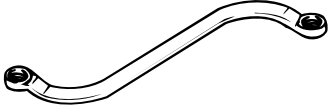

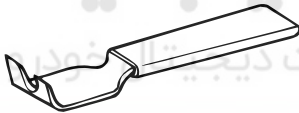
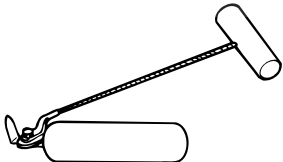
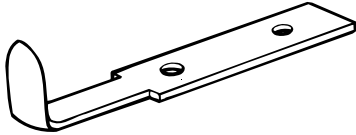
Items	Nm	kgf-cm	lbf-ft
<b>Front and rear doors</b>			
• Door hinge to body	34 ~ 42	340 ~ 420	24.5 ~ 30
• Door hinge to door	13 ~ 26	130 ~ 260	10 ~ 19
• Glass mounting bolt	8 ~ 12	80 ~ 120	6 ~ 9
• Door latch mounting screw	7 ~ 11	70 ~ 110	5 ~ 8
• Outside handle mounting bolt	7 ~ 11	70 ~ 110	5 ~ 8
• Door striker mounting bolt	17 ~ 22	170 ~ 220	12 ~ 16
• Door checker to door	7 ~ 11	70 ~ 110	5 ~ 8
<b>Tailgate</b>			
• Tailgate hinge to body	7 ~ 9	70 ~ 90	5 ~ 6.5
• Tailgate hinge to trunk lid	7 ~ 9	70 ~ 90	5 ~ 6.5
• Tailgate latch mounting bolt	7 ~ 11	70 ~ 110	5 ~ 8
• Tailgate straker mounting bolt	7 ~ 11	70 ~ 110	5 ~ 8
• Key cylinder mounting nut	7 ~ 11	70 ~ 110	5 ~ 8
<b>Hood</b>			
• Hood hinge to body	22 ~ 27	220 ~ 270	16 ~ 19.5
• Hood hinge to hood	22 ~ 27	220 ~ 270	16 ~ 19.5
• Hood latch to body	7 ~ 11	70 ~ 110	5 ~ 8.0
<b>Seat</b>			
• Front seat to floor bolt and nut	44 ~ 66	440 ~ 460	33 ~ 47
• Rear seat back tilting bracket	17 ~ 26	170 ~ 260	12 ~ 19
• Rear seat cushion mounting bolts	17 ~ 26	170 ~ 260	12 ~ 19
<b>Seat belt</b>			
• Front seat belt buckle	45 ~ 55	450 ~ 550	33 ~ 40
• Front seat belt upper anchor	45 ~ 55	450 ~ 550	33 ~ 40
• Front seat belt retractor to center pillar	45 ~ 55	450 ~ 550	33 ~ 40
• Front seat belt height adjuster	45 ~ 55	450 ~ 550	33 ~ 40
• Rear seat belt anchor attaching bolt	45 ~ 55	450 ~ 550	33 ~ 40
• Rear seat belt retractor mounting bolt	45 ~ 55	450 ~ 550	33 ~ 40

BD -4

BODY (INTERIOR AND EXTERIOR)

## ALL SPECIAL TOOLS AND EQUIPMENT

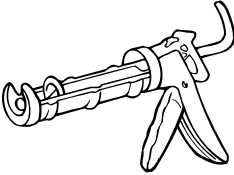

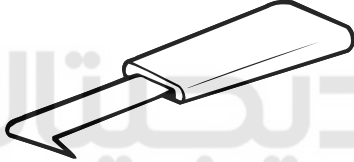
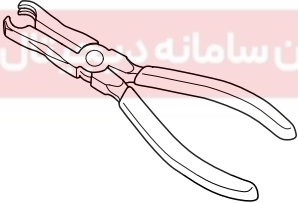
## SPECIAL TOOLS E53AE658

Tool (Number and name)	Illustration	Use
09793-21000 Door hinge adjusting wrench	 ESDA010A	Adjustment, removal and installation of the door hinge
09800-21000 Ornament remover	 ESDA010B	Trim removal
09853-31000 Headliner clip remover	 ESDA010C	Removal of the headliner clips
09861-31100 Sealant cut-out tool	 ESDA010D	Cutting the sealant of the windshield (use with 09861-31200)
09861-31200 Sealant cutting blade	 ESDA010E	Cutting the sealant of the windshield (use with 09861-31100)



## GENERAL

BD -5

Tool (Number and name)	Illustration	Use
09861-31300 Sealant gun	 <p style="text-align: right;">ESDA010F</p>	Application of the sealant to the windshield
09861-31400 Glass holder	 <p style="text-align: right;">ESDA010G</p>	Removal and installation of the windshield
09861-31000 Windshield moulding remover	 <p style="text-align: right;">ESDA010H</p>	Removal of the windshield moulding
09880-4F000 Hogring clip installer	 <p style="text-align: right;">ESSD750C</p>	Installation of the hogring clip

## BD -6

## BODY (INTERIOR AND EXTERIOR)

## GENERAL DIAGNOSTICS AND TESTS

## TROUBLESHOOTING

E8FEFCDB

Symptom	Suspect Area	Remedy (See page)
Water leaks from sunroof	Dirt accumulated in drain tube	Clear dirt inside of drain
	Clogged drain tube	Blow air into drain to remove dirt
	Broken or dislocated drain tube, defective or cracked clip	Check tube installation and flange contact
	Deteriorated roof lid weatherstrip	Replace
	Excessive roof lid-to-body clearance and improperly fitted weatherstrip	Adjust
Wind noise around sunroof	Loose or deformed deflector, gaps in body work	Retighten adjust or replace
Sunroof lid makes a noise when moved	Foreign particles lodged in guide rail	Check drive cable and guide rails for foreign particles
	Loose guide rails and lid	Retighten
Motor runs but sunroof does not move or moves only partially	Foreign particles lodged in guide rail	Check drive cable and guide rails for foreign particles
	Incorrect engagement of motor pinion with drive cable	Check for loose motor installation and damaged pinion
	Decrease in motor's clutch slipping force	Adjust
	Increased sunroof sliding resistance or interference of sunroof with drive cables, weatherstrip, etc. due to maladjustment of sunroof	Adjust or replace
Noise in motor (clutch slipping noise from motor when sunroof is fully opened or closed is not an unusual noise.)	Incorrect engagement of motor pinion with drive cable	Check pinion installation and retighten motor
	Worn out or damaged motor pinion bearing	Replace motor assembly
	Worn out or deformed drive cable	Replace
Door glass fails to operate up and down	Incorrect window glass installation	Adjust position (see page BD- 33)
	Damaged or faulty regulator arm or regulator	Correct or replace (see page BD- 27)
Door does not open or close completely	Incorrect door installation	Adjust position (see page BD- 33)
	Defective door check assembly	Correct or replace
	Door hinge requires grease	Apply grease
Hood does not open or close completely	Striker and latch not properly aligned	Adjust (see page BD- 12)
	Incorrectly installed hood	Adjust (see page BD- 12)
	Incorrect hood bumper height	Adjust (see page BD- 12)
Water leak through windshield and rear window	Defective seal	Fill with sealant
	Defective flange	Correct

## GENERAL

BD -7

Symptom	Suspect Area	Remedy (See page)
Wind noise around door	Weatherstrip not holding firmly	Adjust fit or door (see page BD- 33)
	Improperly installed weatherstrip	Repair or replace (see page BD- 27)
	Improperly closed door	Adjust (see page BD- 33)
	Improperly fit door	Adjust (see page BD- 33)
	Improperly clearance between door glass and division channel	Adjust (see page BD- 33)
	Deformed door	Repair or replace

# دیجیتال خودرو

شرکت دیجیتال خودرو سامانه (مسئولیت محدود)

اولین سامانه دیجیتال تعمیرکاران خودرو در ایران



BD -8

**BODY (INTERIOR AND EXTERIOR)**

**EXTERIOR**

**HOOD**

**REPLACEMENT** EBAA21DA

**HOOD REPLACEMENT**

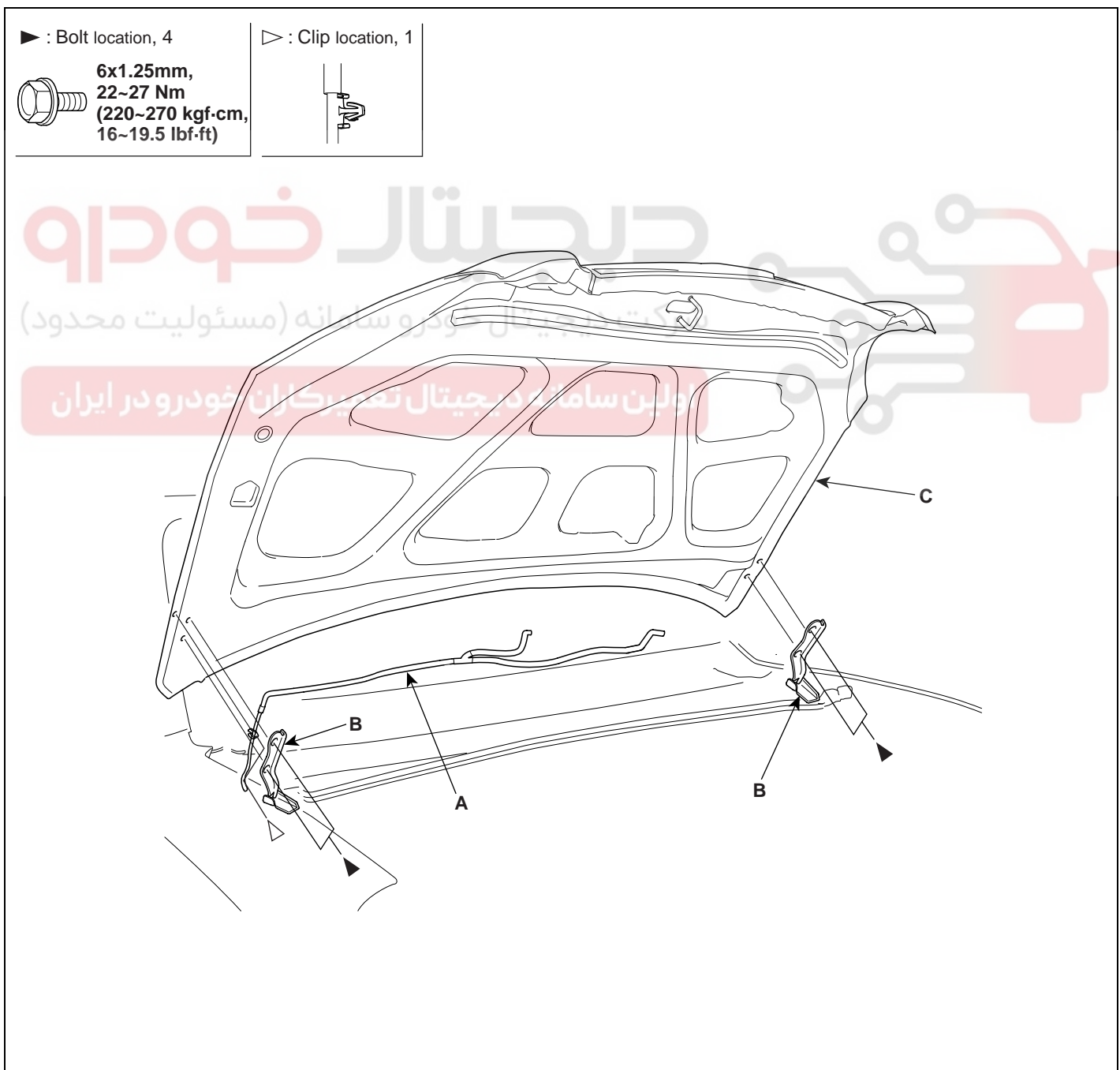
**NOTE**

- When removing and installing the hood, an assistant is necessary.
- Take care not to damage the hood and body.

**NOTE**

- Make sure the hood opens properly and locks securely.
- Adjust the hood alignment (See page BD- 12).

- When removing the clips, use a clip remover.
1. Disconnect the windshield washer nozzle connecting tube (A).
  2. After loosening the hood hinge (B) mounting bolts, remove the hood (C).
  3. Installation is the reverse of removal.



ESQE100A

**EXTERIOR**

**BD -9**

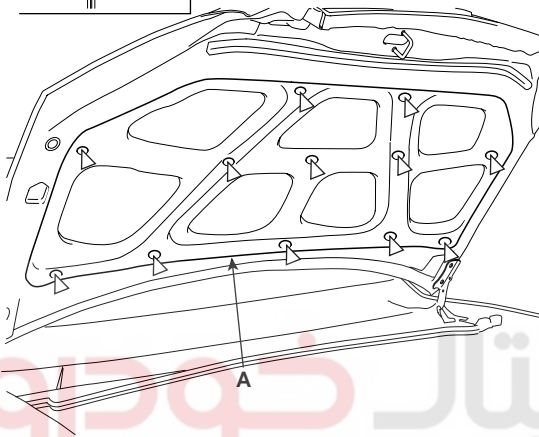
**HOOD INSULATOR REPLACEMENT**

1. Using a clip remover, detach the clips, and remove the hood insulator (A).

**NOTE**

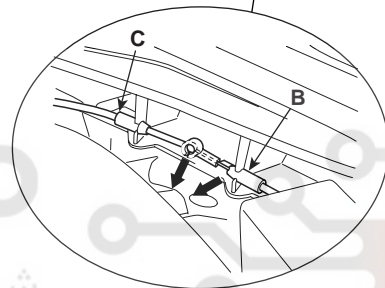
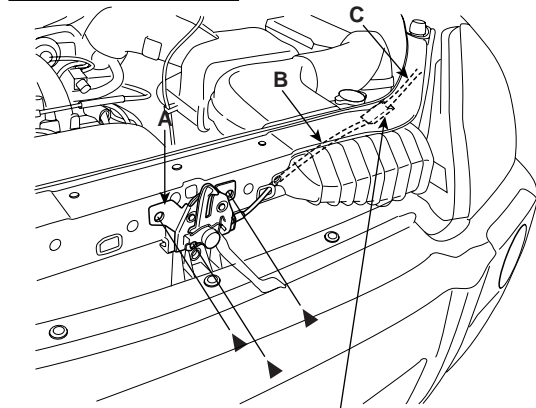
Take care not to scratch the hood panel.

▷ : Clip location, 12



2. Remove the hood latch (A) mounting bolts.

▷ : Bolt location, 4  
6x1.25mm,  
7~11 Nm  
(70~110 kgf-cm,  
5~8 lbf-ft)



2. Installation is the reverse of removal.

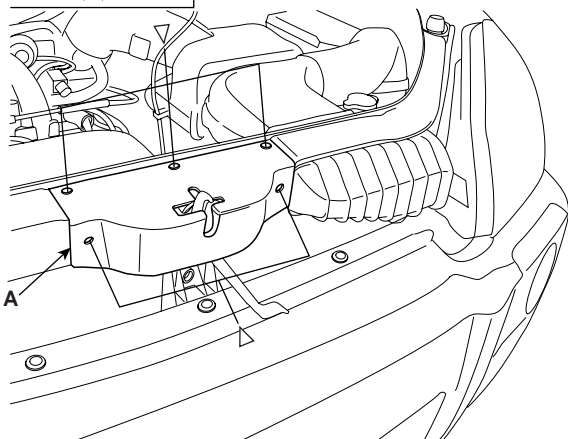
**NOTE**

Replace any damaged clips.

**HOOD LATCH REPLACEMENT**

1. Remove the hood cover (A).

▷ : Clip location, 5



3. Disconnect the hood latch cable (B) and release cable (C).

4. Installation is the reverse of removal.

**NOTE**

- Make sure the hood latch cable is connected properly.
- Make sure the hood locks securely.

ESQE100B

ESQE100F

ESQE100C

**BD -10**

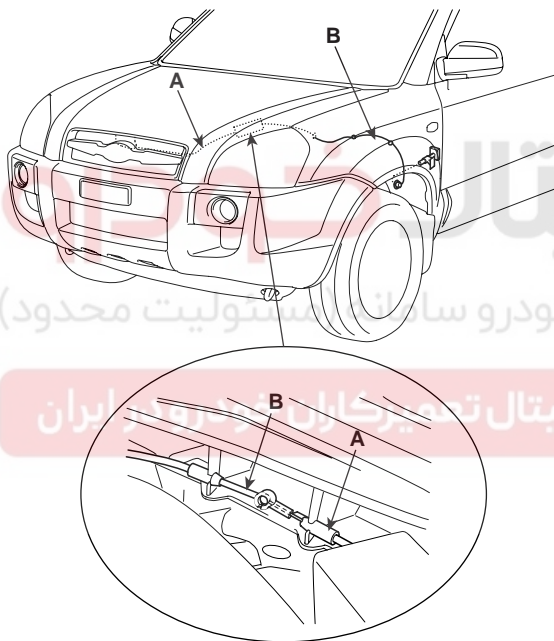
**BODY (INTERIOR AND EXTERIOR)**

**HOOD RELEASE CABLE REPLACEMENT**

1. Remove the following items:
  - Hood release handle (see page BD- 10)
  - Wheel guard (see page BD- 45)
2. Using a clip remover, detach the clips from the body, then disconnect the hood latch cable (A) and release cable (B).

**NOTE**

Take care not to bend the cable.



ESQE100T

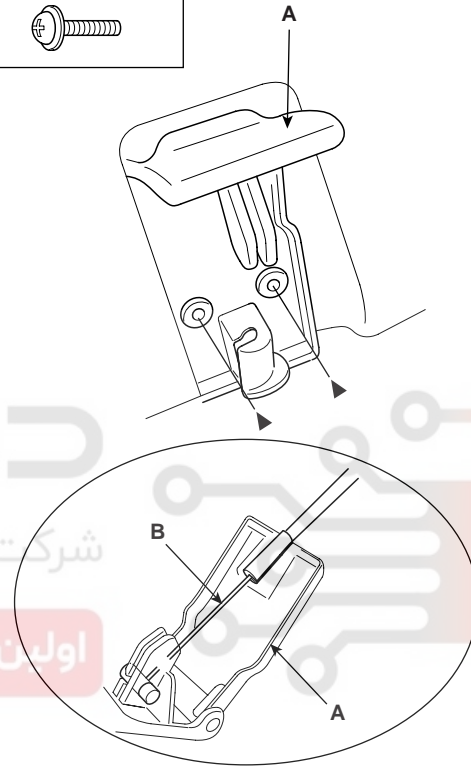
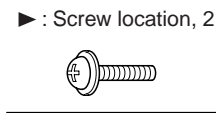
3. Installation is the reverse of removal.

**NOTE**

- Make sure the hood latch cable is connected properly.
- Replace any damaged clips.

**HOOD RELEASE HANDLE REPLACEMENT**

1. Remove the screws, then remove the hood release handle (A).
2. Disconnect the hood latch cable (B) from the hood release handle. Take care not to bend the cable.



ESQE0011

3. Installation is the reverse of removal.

**NOTE**

- Make sure the hood latch cable is connected properly.
- Make sure the hood opens properly.

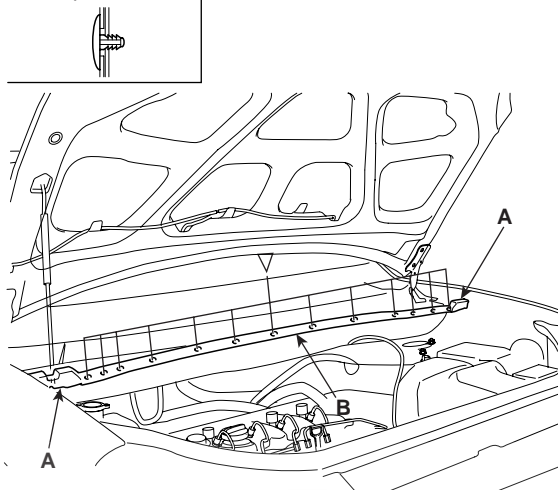
## EXTERIOR

BD -11

## HOOD SEAL WEATHERSTRIP REPLACEMENT

1. Detach the clips, then remove the hood weathersrip  
(A). Take care not to scratch the hood.

▷ : Clip location, 12



2. Installation is the reverse of removal.

شرکت دیجیتال خودرو (مسئولیت) **NOTE** (نکته)  
Replace any damaged clips.

اولین سامانه دیجیتال تعمیرکاران خودرو در ایران





BD -12

BODY (INTERIOR AND EXTERIOR)

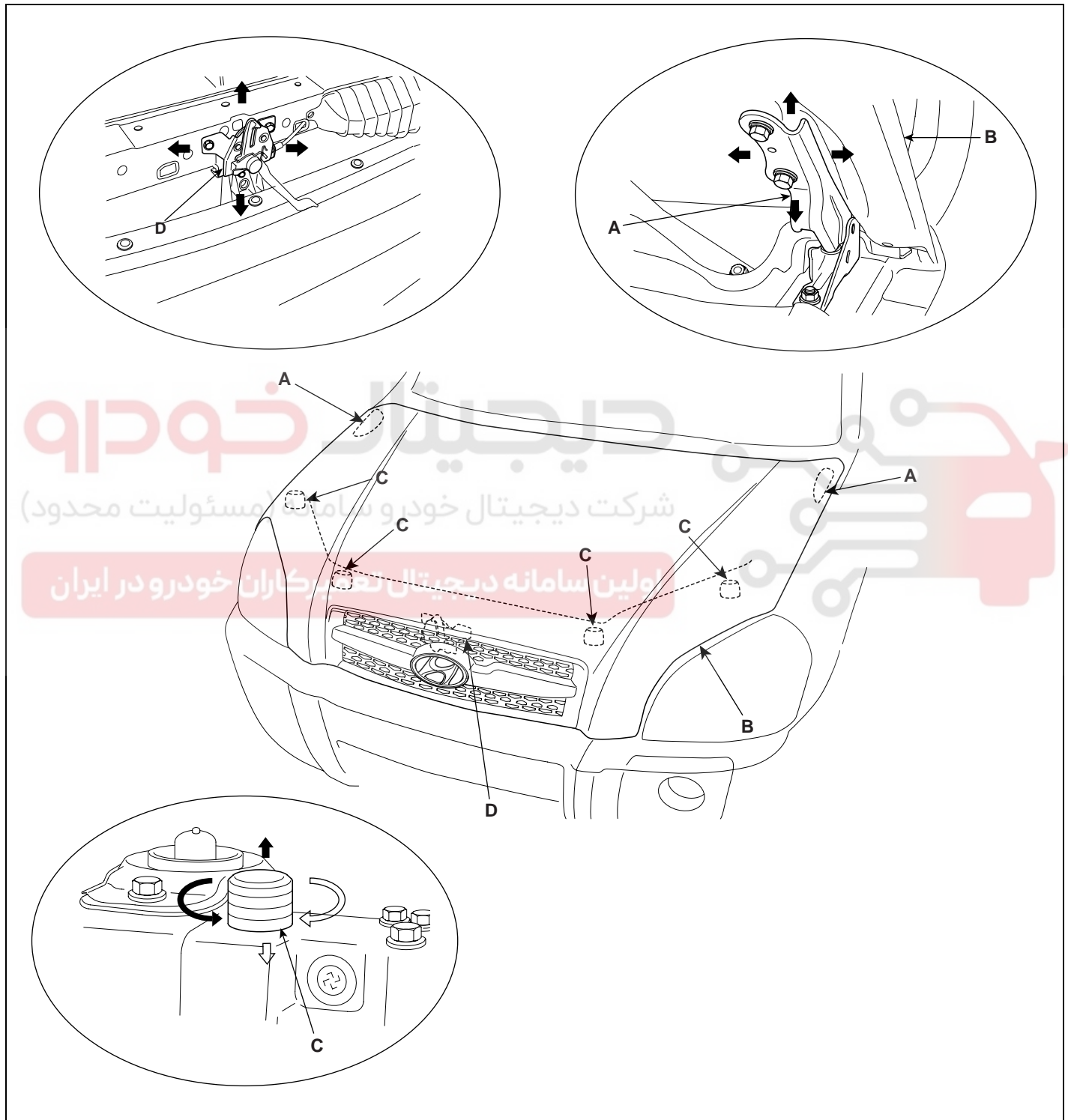
ADJUSTMENT EE2A8F75

ADJUST HOOD

1. After loosening the hood hinge (A) mounting bolt, adjust the hood (B) by moving it up or down, or right or left.

2. Adjust the hood height by turning the hood overslam bumper (C).

3. After loosening the hood latch (D) mounting bolts, adjust the hood latch by moving it up or down, or right or left.



KSQE100R



EXTERIOR

BD -13

**TAIL GATE**

**REPLACEMENT** E41846ED

**TAILGATE TRIM REPLACEMENT**

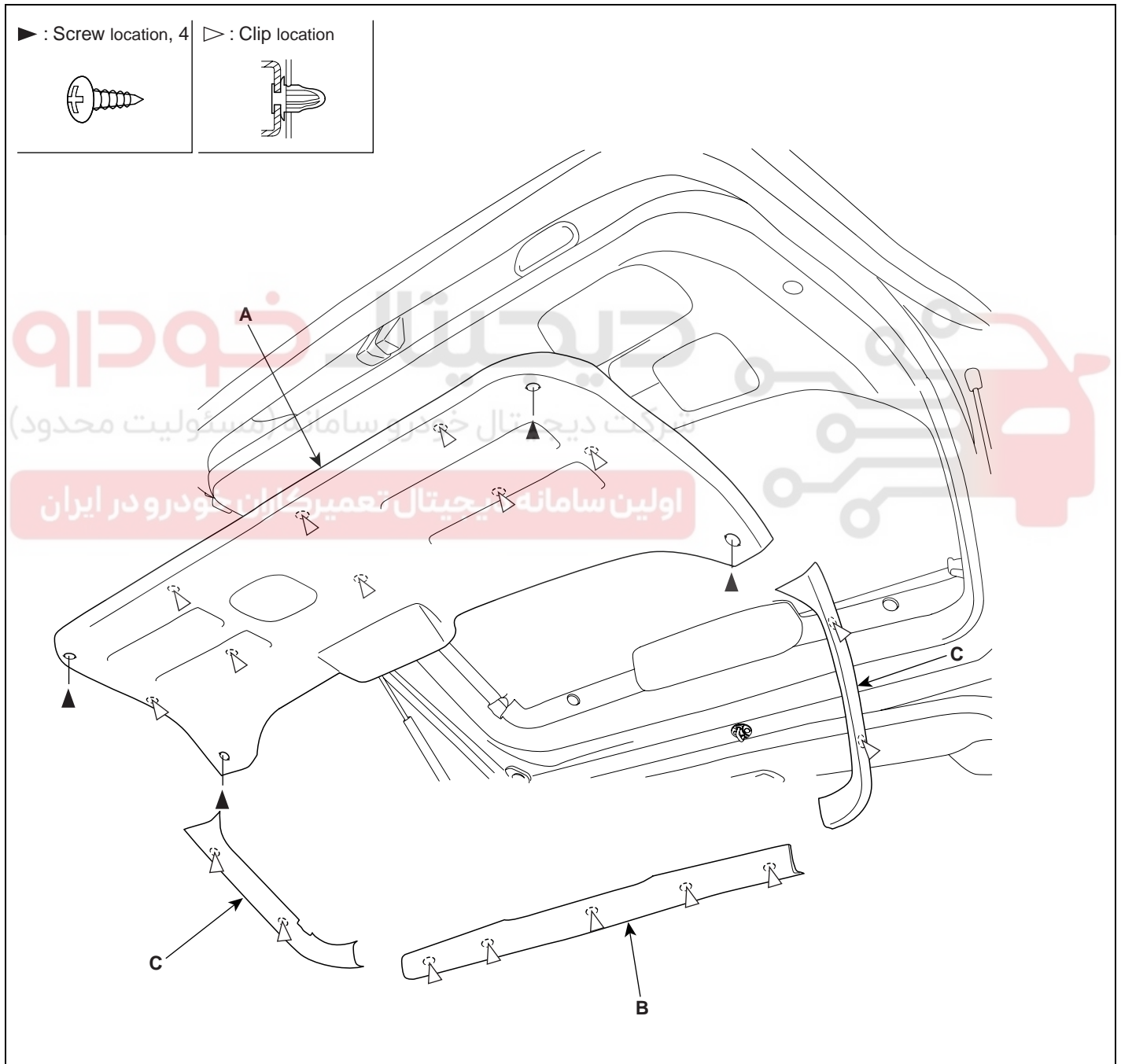
**NOTE**

- When removing and installing the trunk lid, an assistant is necessary.
- Wear gloves to protect hands from injury.

1. Open the tailgate glass
2. After loosening the screws the remove the tailgate trim (A).
3. Remove the upper trim(B) and side trim(C).
4. Installation is the reverse of removal.

**NOTE**

Replace and damaged clips.



ESQE120B

## BD -14

## BODY (INTERIOR AND EXTERIOR)

## TAILGATE GLASS REPLACEMENT

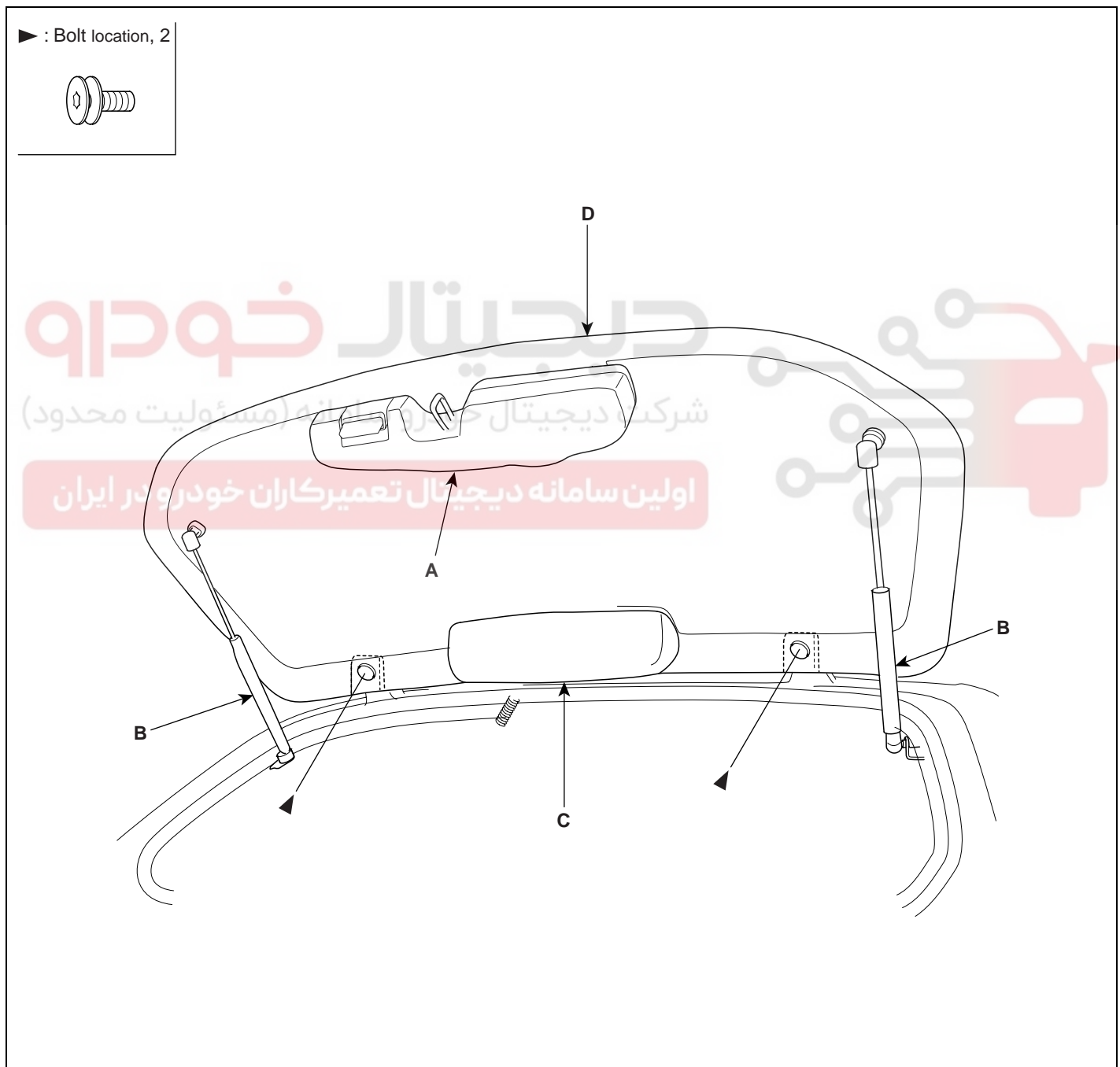
 NOTE

- When prying with a flat-tip screwdriver, wrap it with protective tape, and apply protective tape around the related parts, to prevent damage.
- Take care not to scratch the surface the tailgate glass.
- Wear gloves to protect hands from injury.

- Rear wiper assembly [A(See page BE- "Rear wiper")].
- Tailgate lifter [B(See page BD- 18)].
- High stop lamp [C(See page BE- "High stop lamp")].

2. After loosening the mounting bolts then remove the tailgate glass (D).

1. Remove the following items.



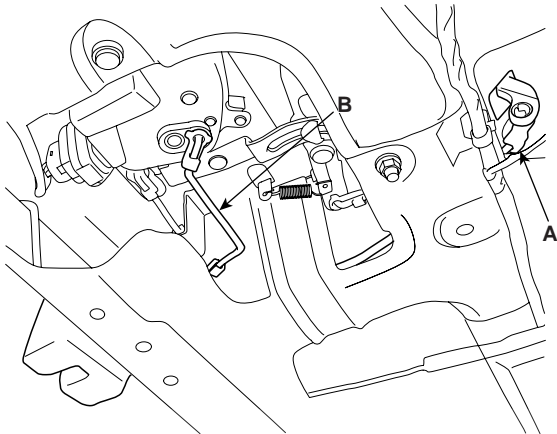
ESQE120C

**EXTERIOR**

**BD -15**

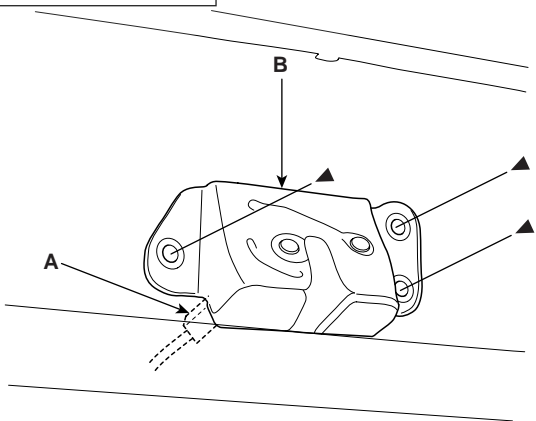
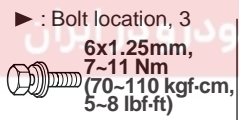
**TAILGATE LATCH REPLACEMENT**

1. Remove the tailgate trim (See page BD- 13).
2. Disconnect the outside handle rod (A) and actuator rod (B).



KSQE121A

3. Loosen the latch mounting bolts and disconnect the connector (A).
4. Remove the tailgate latch (B).



ESQE121B

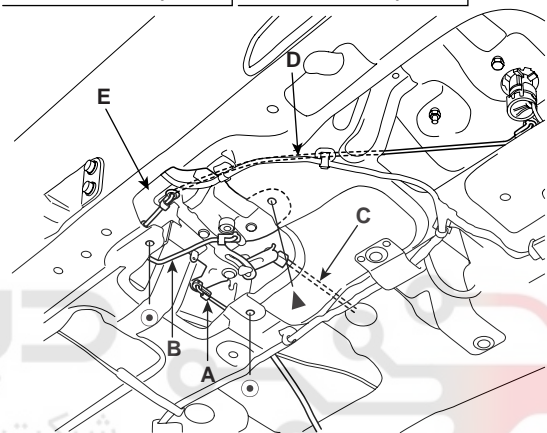
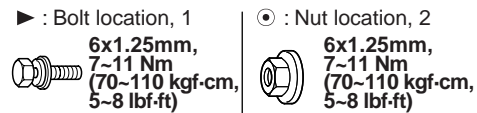
5. Installation is the reverse of removal.

**NOTE**

- Make sure the connector is connected properly and the connecting rod is connected properly.
- Make sure the tailgate opens properly and locks securely.

**ACTUATOR ASSEMBLY**

1. Remove the tailgate trim (See page BD- 13).
2. Disconnect the outside handle rod (A), actuator rod (B), glass latch rod (C), key cylinder rod (D) and connector.
3. After loosening the mounting bolt and nuts, then remove the actuator assembly (E).



ESQE121D

4. Installation is the reverse of removal.

**NOTE**

- Make sure the connector is connected properly and the connecting rod is connected properly.
- Make sure the tailgate opens properly and locks securely.

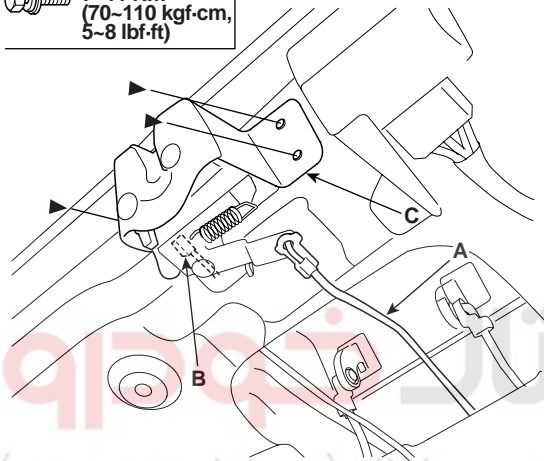
**BD -16**

**BODY (INTERIOR AND EXTERIOR)**

**TAILGATE GLASS LATCH REPLACEMENT**

1. Remove the tailgate trim (See page BD- 13).
2. Disconnect the tailgate glass latch rod (A).
3. After loosening the mounting bolts, then disconnect the connector (B).
4. Remove the tailgate glass latch (C).

▶ : Bolt location, 3  
 6x1.25mm,  
 7~11 Nm  
 (70~110 kgf-cm,  
 5~8 lbf-ft)



ESQE121E

5. Installation is the reverse of removal.

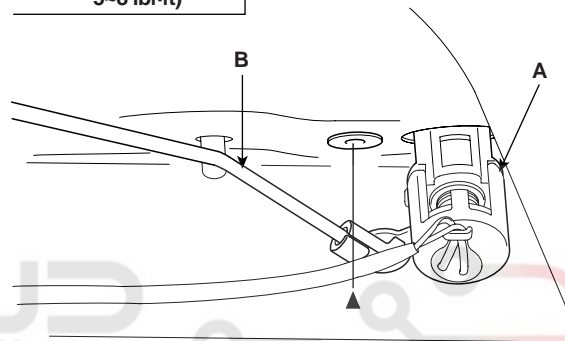
**NOTE**

Make sure the tailgate glass opens properly and locks securely.

**KEY HOLDER REPLACEMENT**

1. Remove the tailgate trim (See page BD- 13).
2. Remove the tailgate garnish (See page BD- 45).
3. Disconnect the key rod (A) and connector.
4. Remove the key holder (B).

▶ : Bolt location, 1  
 6x1.25mm,  
 7~11 Nm  
 (70~110 kgf-cm,  
 5~8 lbf-ft)



ESQE121V

5. Installation is the reverse of removal.

**NOTE**

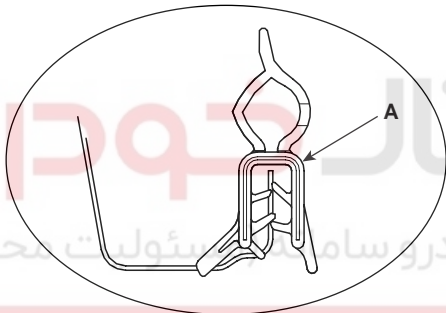
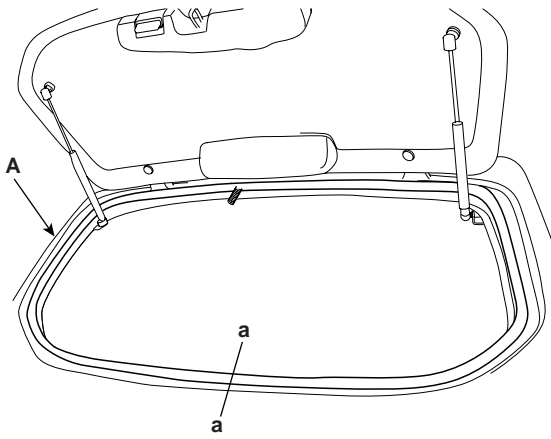
Make sure the tailgate glass opens properly and locks securely.

EXTERIOR

BD -17

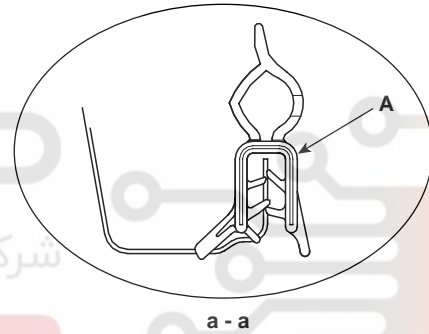
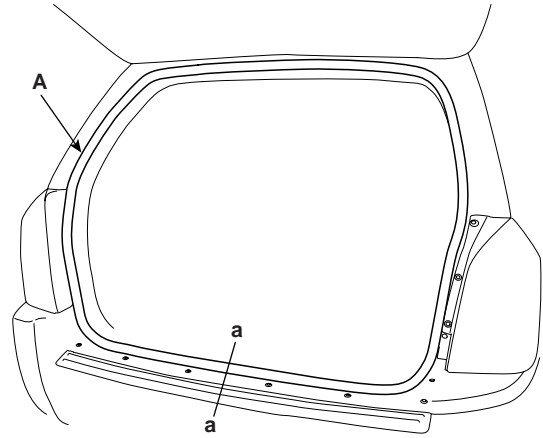
GLASS WEATHERSTRIP REPLACEMENT

1. After disconnecting the tailgate lifter, then remove the glass weatherstrip (A).



TAILGATE WEATHERSTRIP REPLACEMENT

1. Remove the tailgate weatherstrip (A).



دیجیتال خودرو  
 شرکت دیجیتال خودرو سامان با مسئولیت محدود  
 اولین سامانه دیجیتال تعمیرکاران خودرو در ایران

KSQE121G

KSQE121H

2. Installation is the reverse of removal.

2. Installation is the reverse of removal.

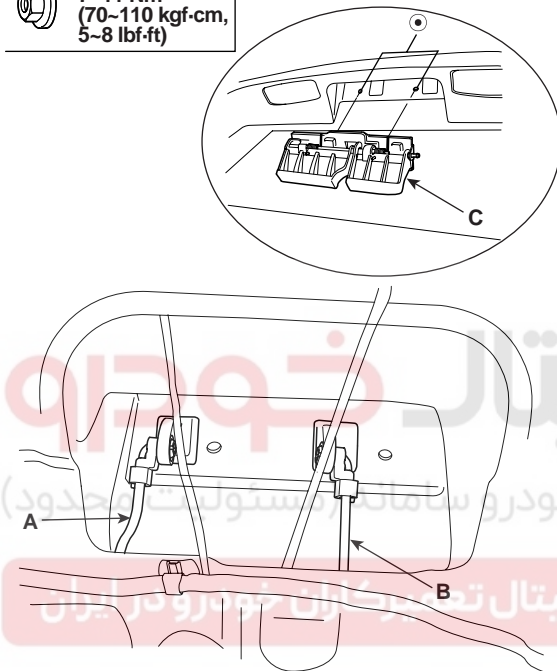
## BD -18

## BODY (INTERIOR AND EXTERIOR)

## OUTSIDE HANDLE REPLACEMENT

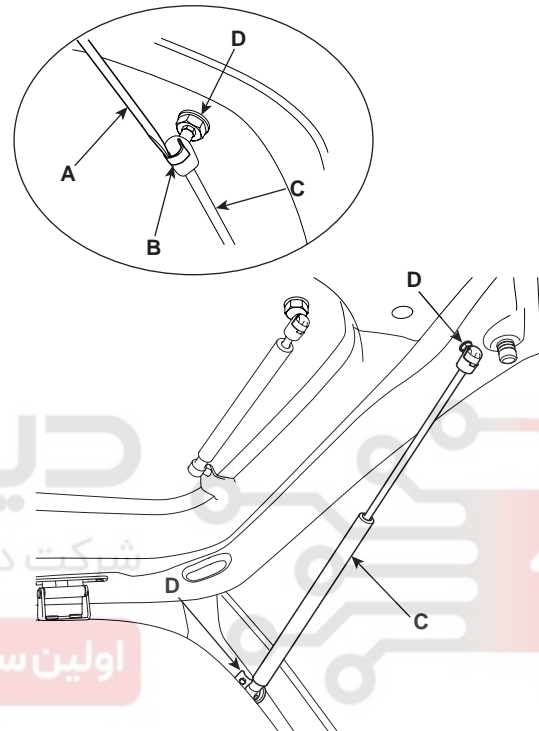
1. Remove the tailgate trim (See page BD- 13).
2. Disconnect the outside handle rod (A) and latch rod (B).
3. Loosen the inside handle (C) mounting bolts.

⊙ : Nut location, 2  
6x1.25mm,  
7~11 Nm  
(70~110 kgf-cm,  
5~8 lbf-ft)



## LIFTER REPLACEMENT

1. Using a screwdriver (A), lift up slightly the socket clips (B) of both ends on the lifter (C), and then remove the lifter from the bracket (D).
2. Push the socket of the lifter into the bracket for installation.



ESQE121U

ESQE121W

4. Installation is the reverse of removal.

 **NOTE**

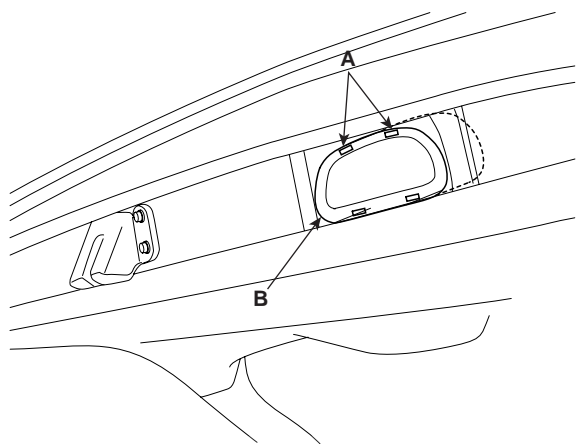
Make sure the tailgate glass opens properly and locks securely.

## EXTERIOR

BD -19

## PULL HANDLE REPLACEMENT

Push down the hook (A) on the upper part of the pull handle (B) by using the screwdriver or the remover.



دیجیتال خودرو

ESQE121S

شرکت دیجیتال خودرو سامانه (مسئولیت محدود)

اولین سامانه دیجیتال تعمیرکاران خودرو در ایران



## BD -20

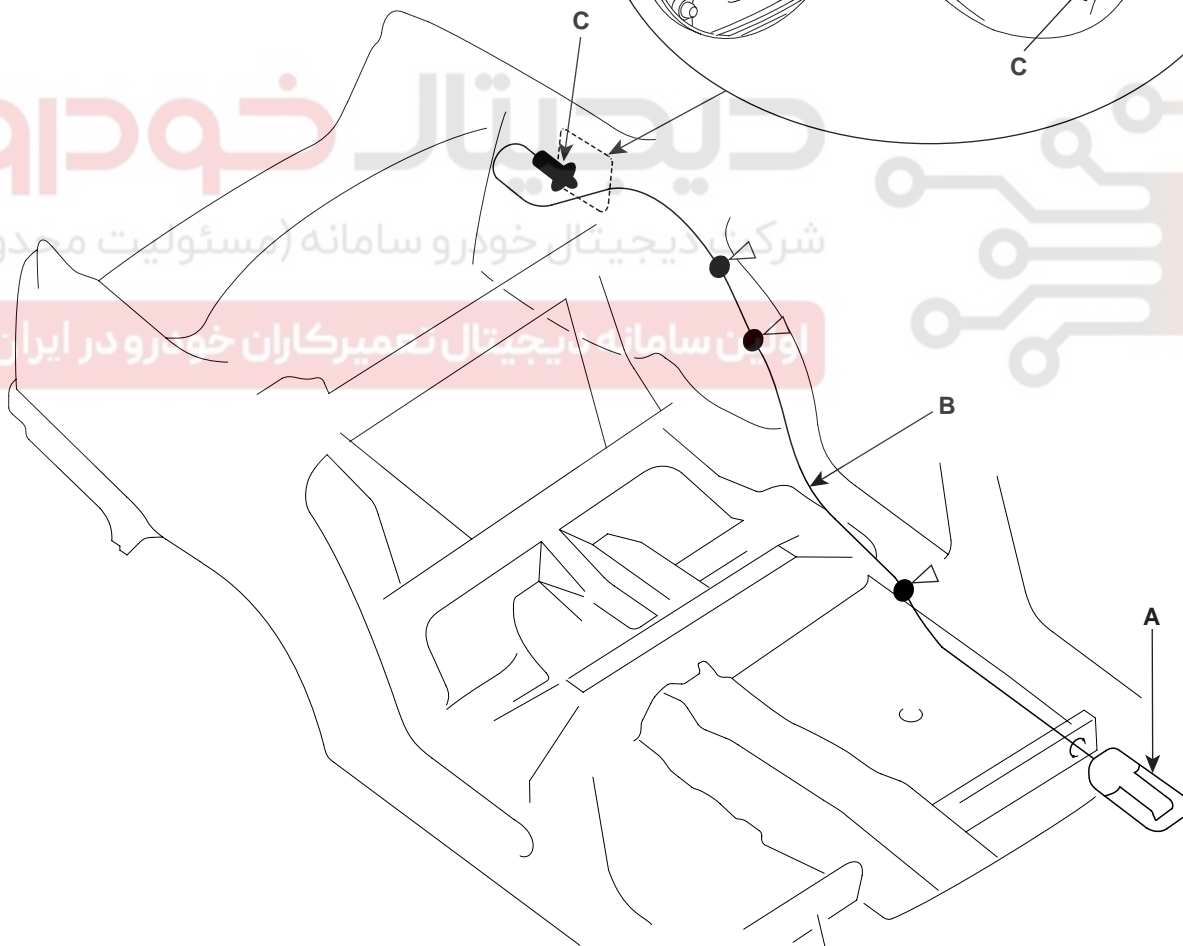
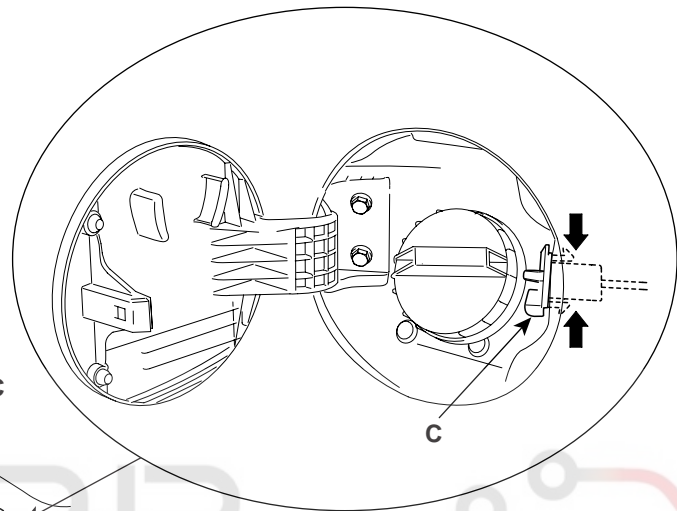
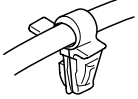
## BODY (INTERIOR AND EXTERIOR)

## FUEL FILLER DOOR RELEASE CABLE REPLACEMENT

1. Remove the following items.
  - Front seat (See page BD- 84).
  - Rear seat (See page BD- 92).
  - Front door scuff trim LH (See page BD- 69).
  - Rear door scuff trim LH (See page BD- 69).
2. Disconnect the fuel filler door release cable from the release handle (A).

## Fastener Locations

▷ : Clip, 3



ESQE122D

3. Remove the release cable (B) from the clip, and disconnect the fuel filler door catch (C), then remove the fuel filler door cable from the vehicle.



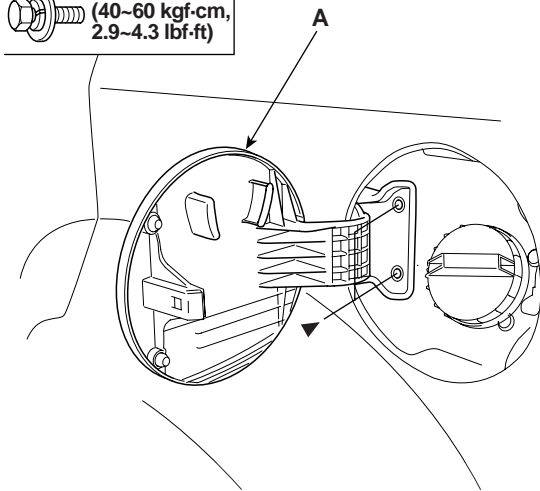
EXTERIOR

BD -21

FUEL FILL DOOR REPLACEMENT

1. Loosen the bolts, then remove the fuel filler door (A).

► : Bolt location, 2  
 4~6 Nm  
 (40~60 kgf-cm,  
 2.9~4.3 lbf-ft)



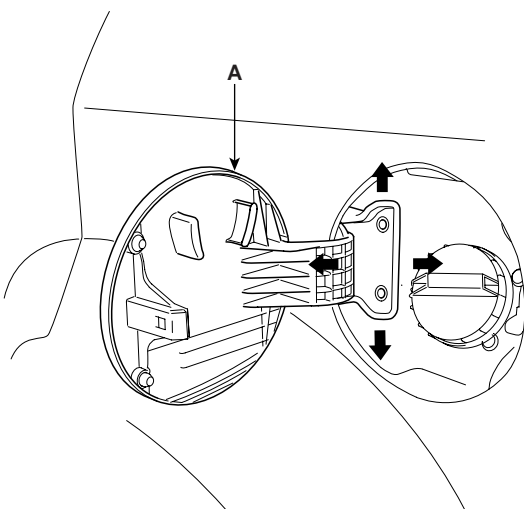
ESQE122A

2. Installation is the reverse of removal.

**NOTE**

Make sure the fuel fill door opens properly and locks securely.

3. Check that the fuel fill door (A) fits flush against the body. If necessary, adjust it.

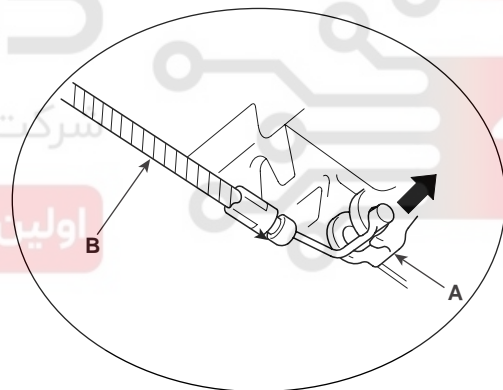
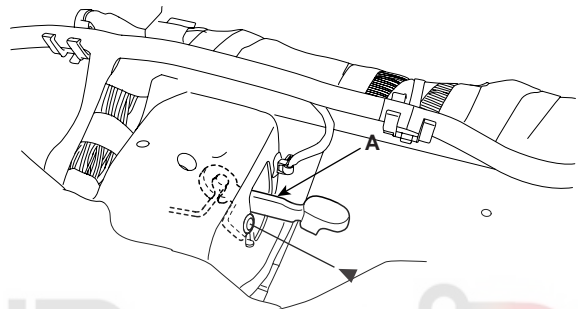


ESQE122H

RELEASE HANDLE REPLACEMENT

1. Remove the front door scuff trim and center pillar lower trim (See page BD- 69).
2. Loosen the release handle (A), mounting bolt. Disconnect the release cable (B), then remove the release handle.

► : Bolt location, 1  
 6x1.25mm,  
 0.4~0.6kgf-m



ESQE122C

3. Installation is the reverse of removal.

**NOTE**

- Make sure the release cable is connected properly.
- Make sure the fuel filler door/trunk lid open properly.

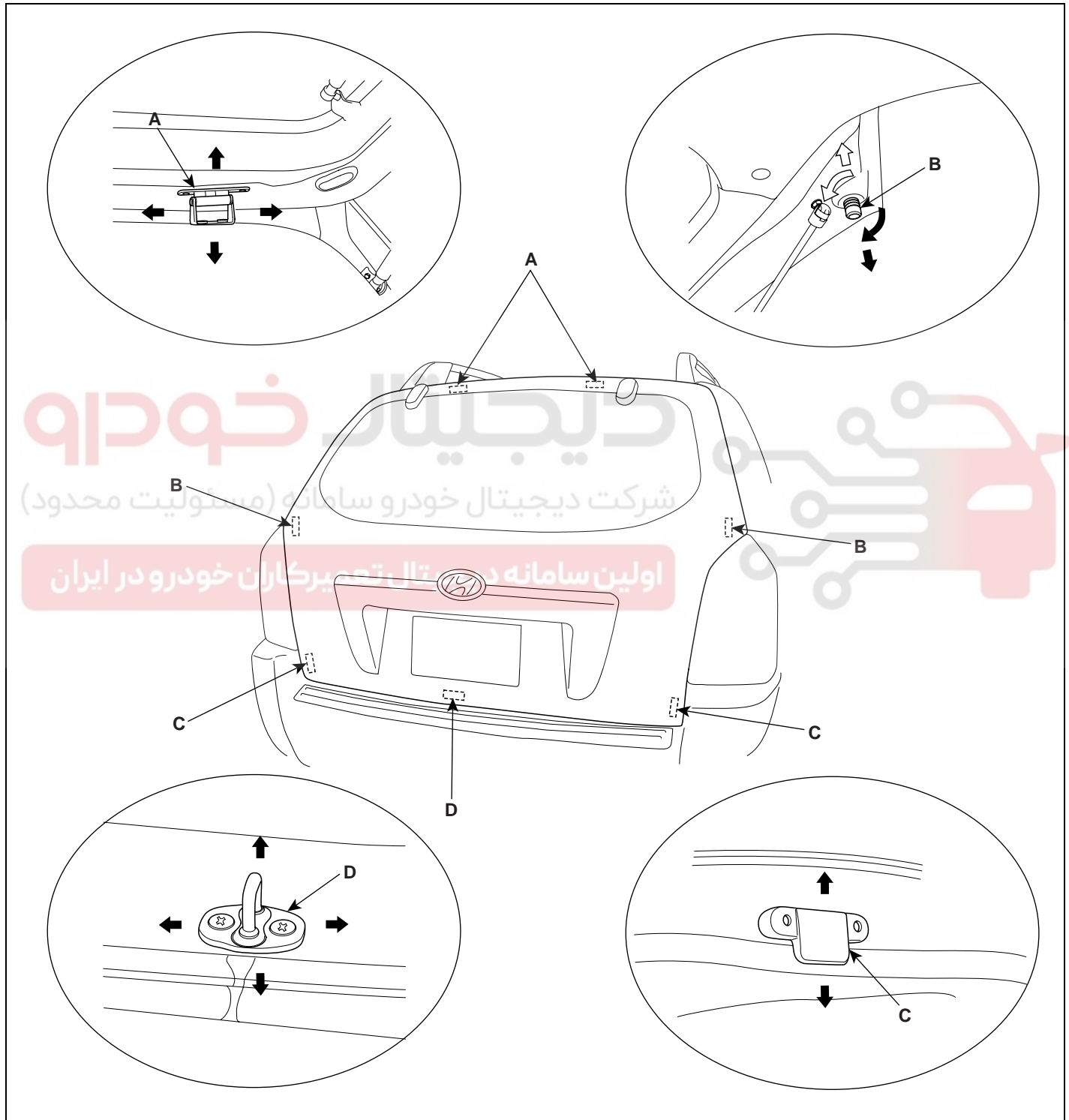
BD -22

BODY (INTERIOR AND EXTERIOR)

ADJUSTMENT EA9BC382

1. Adjust the tailgate alignment.
  - After loosening the tailgate hinge (A) mounting bolt, adjust the tailgate by moving it up or down, or right or left.

- Adjust the tailgate fit by turning the tailgate over slam bumper (B) and side bumper (C).
- Adjust the striker (D) by moving it up or down, or right or left.



ESQE1210

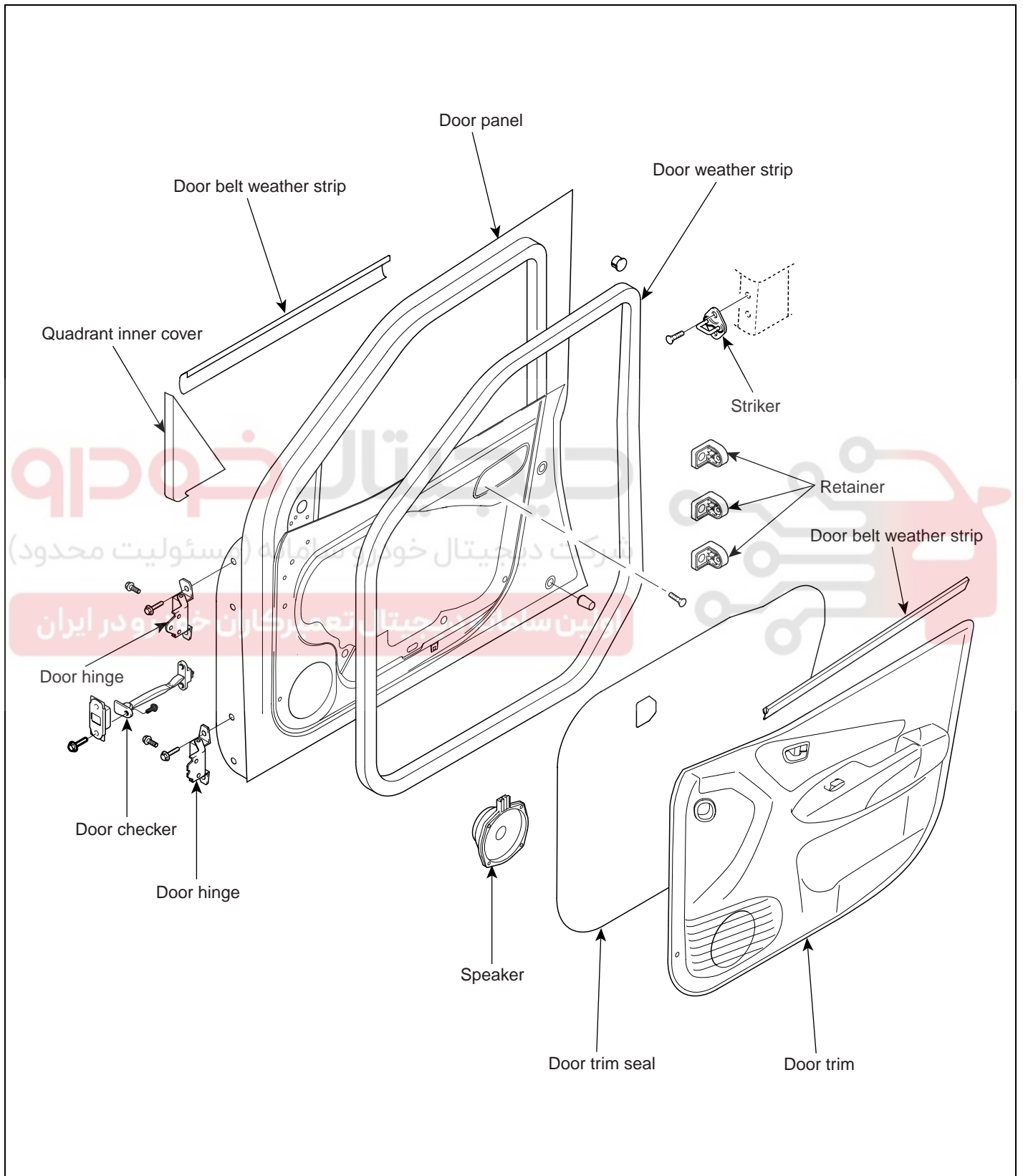
2. Tighten each bolt securely.
3. Make sure the trunk lid opens and locks securely.

EXTERIOR

BD -23

FRONT DOOR

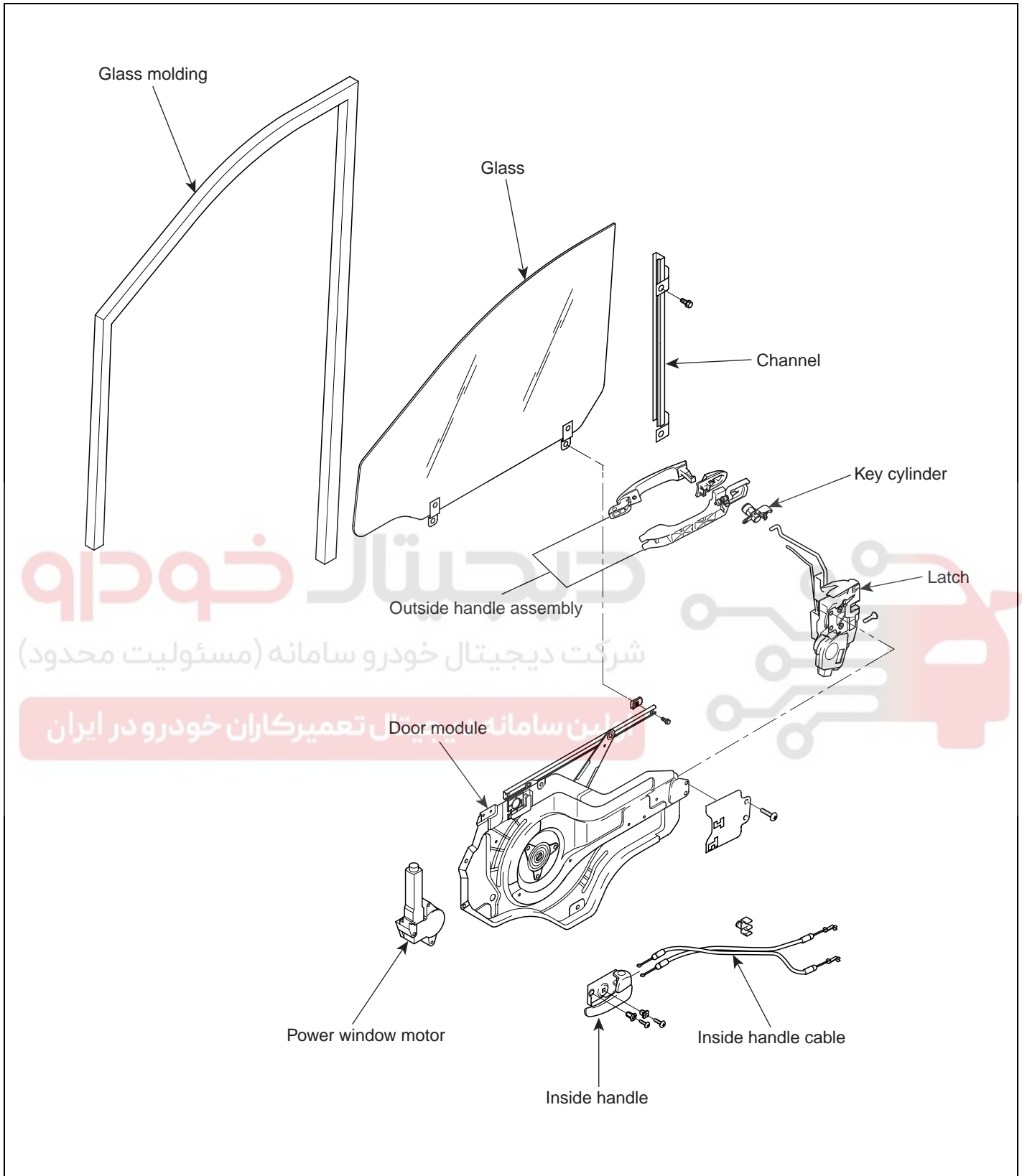
COMPONENTS E52D6A91



ESQE140A

BD -24

BODY (INTERIOR AND EXTERIOR)



ESQE142A

EXTERIOR

BD -25

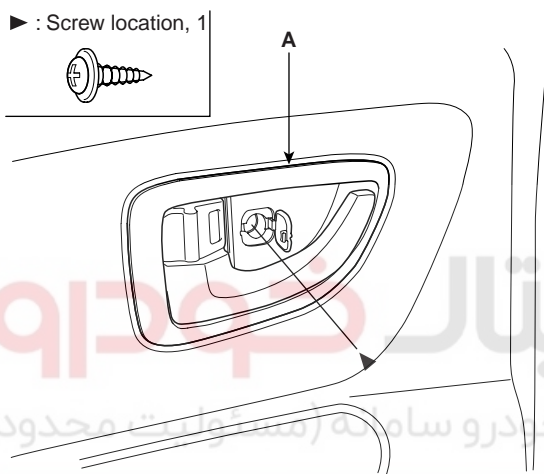
REMOVAL AND INSTALLATION E0CDBFF6

FRONT DOOR TRIM

**NOTE**

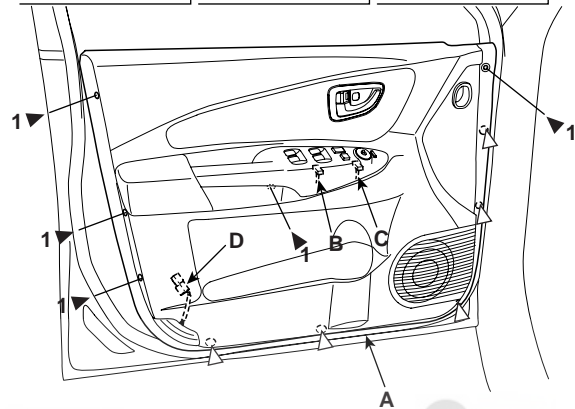
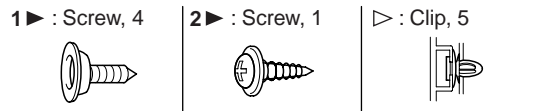
- Take care not to scratch the door trim and other parts.
- Put on gloves to protect your hands.

1. Remove the quadrant inner cover (see page BD- 57).
2. Remove the inside handle cover (A).



3. Loosen the door trim (A) mounting screws. Release the clips that hold the door trim, then remove the door trim by pulling it upward. Disconnect the power window switch connector (B), power mirror connector (C), and door courtesy lamp connector (D).

Fastener Locations



ESQE140C

4. Remove the door trim seal.
5. Installation is the reverse of removal.

**NOTE**

- Make sure the connectors is plugged in properly and each rod is connected securely.
- Make sure the door locks and opens properly.

ESQE140B

## BD -26

## BODY (INTERIOR AND EXTERIOR)

## REPLACEMENT

EDB39DAE

## GLASS REPLACEMENT

 NOTE

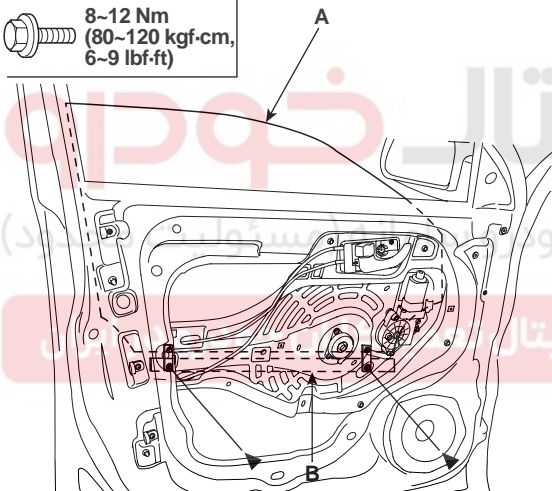
Put on gloves to protect your hands.

1. Remove the door trim (see page BD- 25).
2. Carefully move the glass (A) until you can see the bolts, then loosen them. Separate the glass from the glass run and carefully pull the glass out through the window slot (B).

 CAUTION

Take care not to drop the glass and scratch the glass surface.

▶ : Bolt location, 2  
8-12 Nm  
(80-120 kgf-cm,  
6-9 lbf-ft)



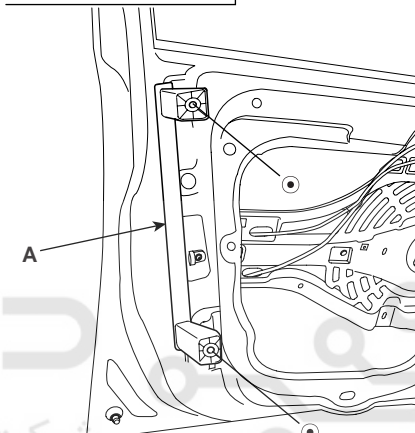
ESQE140D

3. Installation is the reverse of removal.
  - Roll the glass up and down to see if it moves freely without binding.
  - Make sure that there is no clearance between the glass and glass run channel when the glass is closed.
  - Adjust the position of the glass as necessary (see page BD- 32).

## REAR CHANNEL REPLACEMENT

1. Remove the door trim (see page BD- 25).
2. Remove the glass (see page BD- 26).
3. Loosen the rear channel mounting nuts.
4. After disconnecting the glass molding, remove the rear channel (A).

○ : Nut location, 2  
6x1.25mm,  
7-11 Nm  
(70-110 kgf-cm,  
5-8 lbf-ft)



ESQE140E

5. Installation is the reverse of removal.

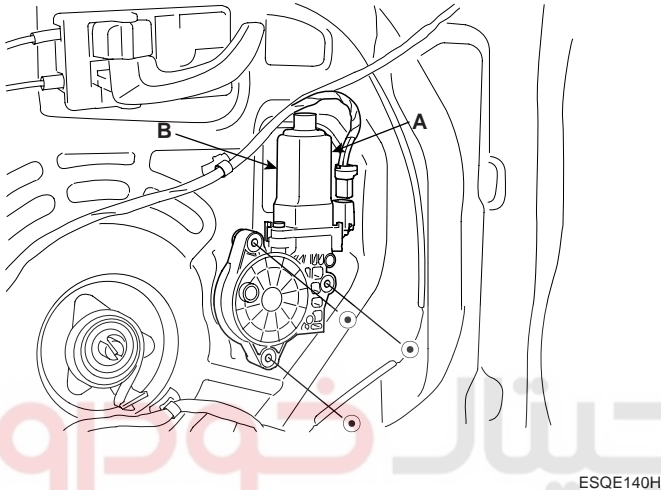
## EXTERIOR

BD -27

## POWER WINDOW MOTOR REPLACEMENT

1. Remove the door trim (see page BD- 25).
2. After disconnecting the connector (A), remove the power window motor (B).

○ : Nut location, 3  
 6x1.25mm,  
 7~11 Nm  
 (70~110 kgf-cm,  
 5~8 lbf-ft)



3. Installation is the reverse of removal.

**NOTE**

Roll the glass up and down to see if it moves freely without binding.

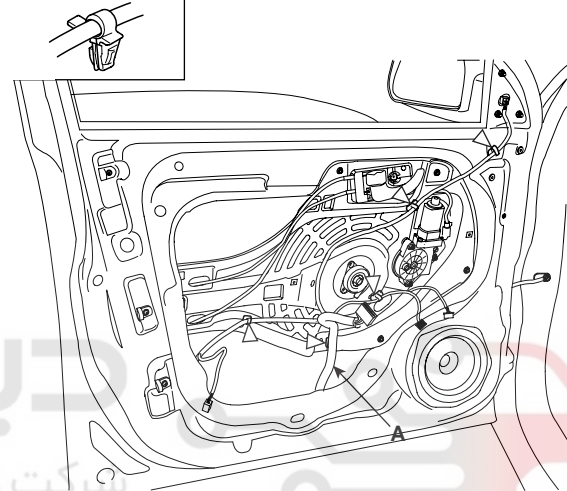
## DOOR MODULE REPLACEMENT

**NOTE**

Put on gloves to protect your hands.

1. Remove the front door trim (See page BD- 25).
2. Remove the glass (see page BD- 26).
3. Disconnect the wiring harness (A).

▷ : Clip location



4. Disconnect the lock rod (A) and outside handle rod (B).

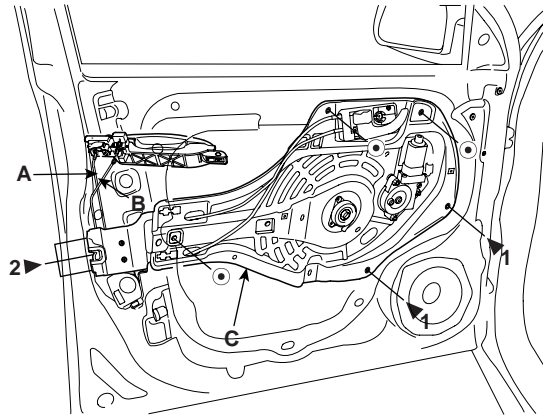
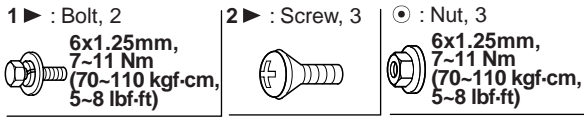


BD -28

BODY (INTERIOR AND EXTERIOR)

5. Remove the door module (C).

Fastener Locations



ESQE140K

6. Installation is the reverse or removal.

**NOTE**

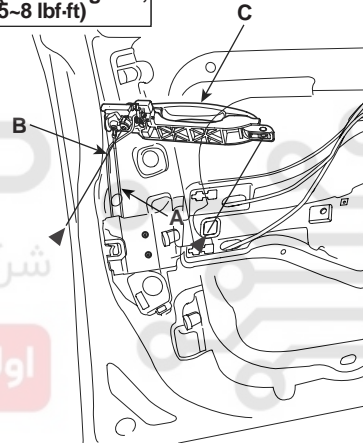
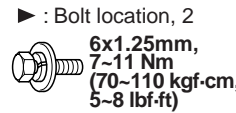
- Make sure the connectors is plugged in properly and each cable is connected securely.
- Make sure the door locks and opens properly.
- Roll the glass and down to see if it moves freely without binding.

OUTSIDE HANDLE REPLACEMENT

**NOTE**

Put on gloves to protect your hands.

1. Remove the following parts.
  - Door trim (See page BD- 25).
  - Glass trim (See page BD- 26).
  - Rear channel (See page BD- 26).
2. Disconnect the outside handle rod (A) and lock rod (B).
3. After removing the outside handle mouting bolt, remove the outside handle base (C) and key cylinder.



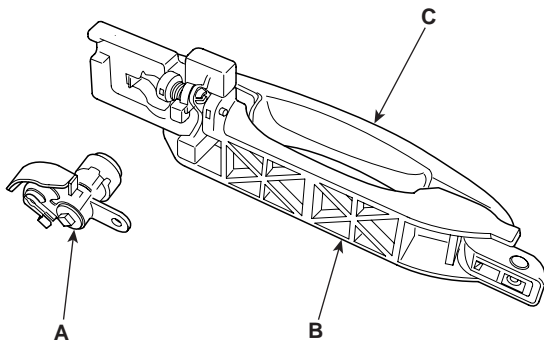
ESQE140F



## EXTERIOR

BD -29

4. After removing the key cylinder (A) and outside handle base (B), remove the outside handle lever (C).

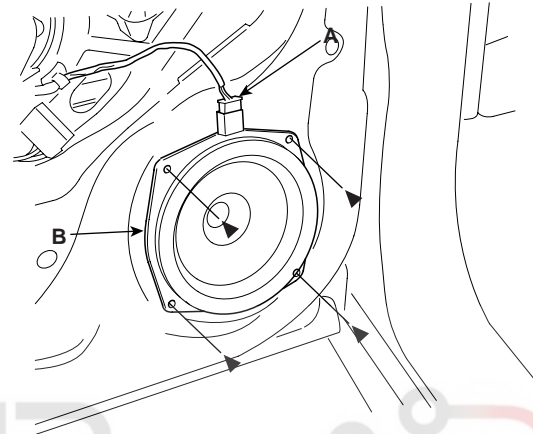
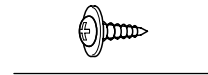


KSQE140G

## SPEAKER REPLACEMENT

1. Remove the door trim (See page BD- 25)
2. Disconnect the speaker connector (A), and remove the speaker (B).

► : Screw location, 4



ESQE1400

5. Installation is the reverse of removal.
- Make sure the connector is plugged in properly, and each rod is connected securely.
  - Make sure the door locks and opens properly.

3. Installation is the reverse of removal.

اولین سامانه دیجیتال تعمیرکاران خودرو در ایران

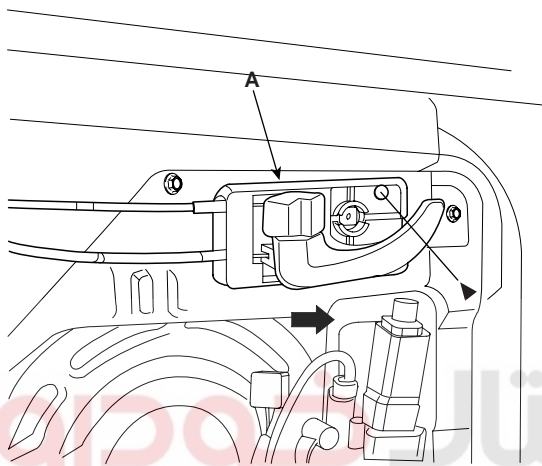
**BD -30**

**BODY (INTERIOR AND EXTERIOR)**

**INSIDE HANDLE REPLACEMENT**

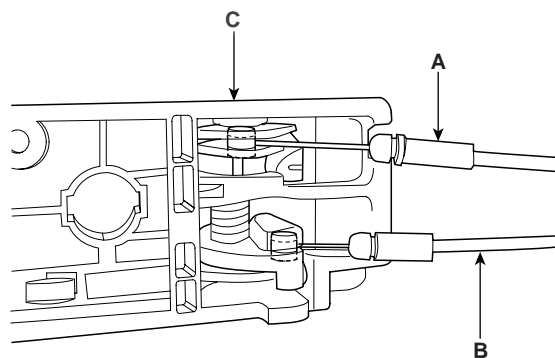
1. Remove the front door trim (See page BD- 25).
2. Loosen the inside handle (A) mounting screw. Push the inside handle forward to disconnect from the door module.

► : Screw location, 1



ESQE140P

3. Disconnect the lock cable and (A) inside handle connect cable (B).



KSQE140R

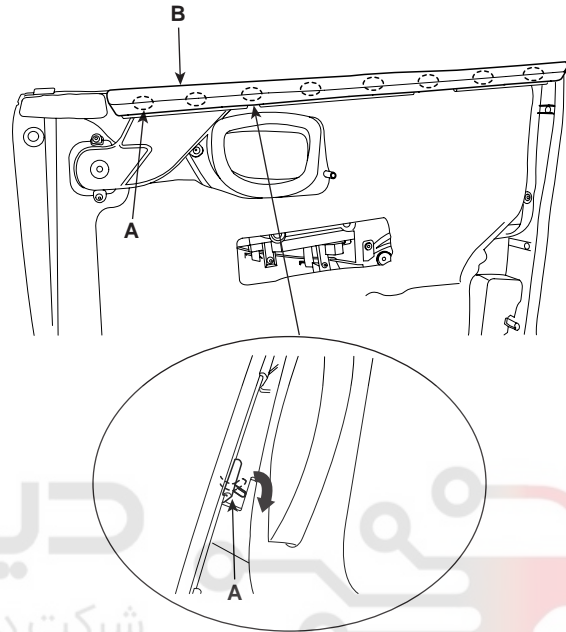
4. Installation is the reverse of removal

**NOTE**

Make sure the door locks and opens properly.

**DOOR BELT WEATHERSTRIP REPLACEMENT**

1. Remove the front door trim (See page BD- 25).
2. Release the hooks (A), and then remove the door belt weatherstrip (B).



KSQE140U

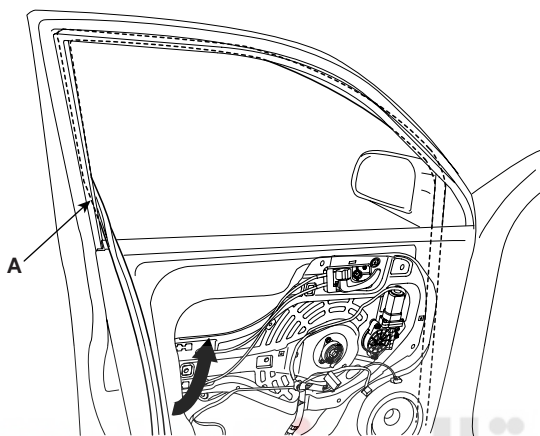
3. Installation is the reverse of removal.

## EXTERIOR

BD -31

## GLASS RUN CHANNEL REPLACEMENT

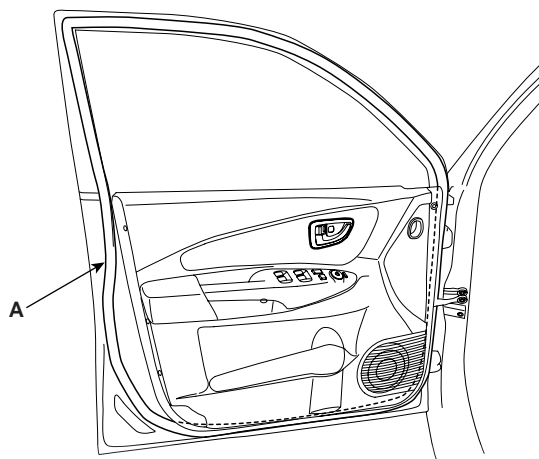
1. Remove the front door trim (See page BD- 25).
2. Remove the glass (see page BD- 26).
3. Remove the glass run channel (A) from the lower part.



KSQE141B

## DOOR WEATHERSTRIP REPLACEMENT

1. Release the clips then remove the door weatherstrip (A).



KSQE141A

2. Installation is the reverse of removal.

4. Installation is the reverse of removal.

اولین سامانه دیجیتال تعمیرکاران خودرو در ایران

BD -32

BODY (INTERIOR AND EXTERIOR)

ADJUSTMENT EF700C1F

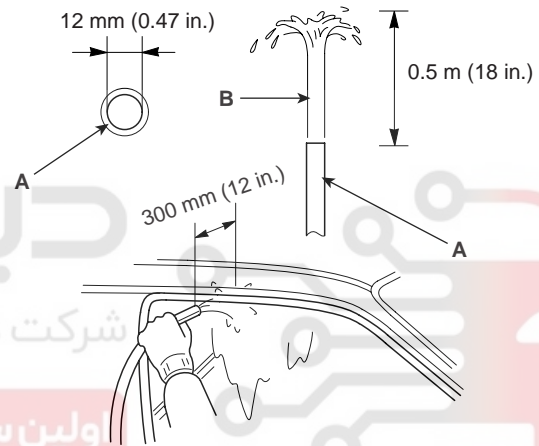
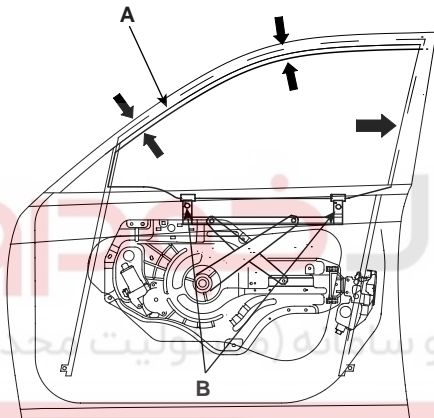
GLASS ADJUSTMENT

**NOTE**

Check the glass run channel for damage or deterioration, and replace them if necessary.

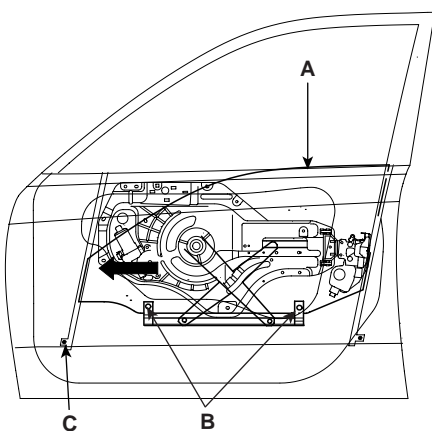
1. Remove the following parts:
  - Quadrant cover (See page BD- 57)
  - Door trim (See page BD- 25)
2. Carefully move the glass (A) until you can see the glass mounting bolts (B), then loosen them.

3. Push the glass (A) against the channel (C), then tighten the glass mounting bolts.
4. Check that the glass moves smoothly.
5. Raise the glass fully, and check for gaps. Check that the glass contacts the glass run channel evenly.
6. Check for water leaks. Run water over the roof and on the sealing area as shown, and note these items:
  - Use a 12mm (1/2in.) diameter hose (A).
  - Adjust the rate of water flow as shown (B).
  - Do not use a nozzle.
  - Hold the hose about 300mm (12in.) away from the door (C).



ESKE003J

ESKE003L



ESKE003K

EXTERIOR

BD -33

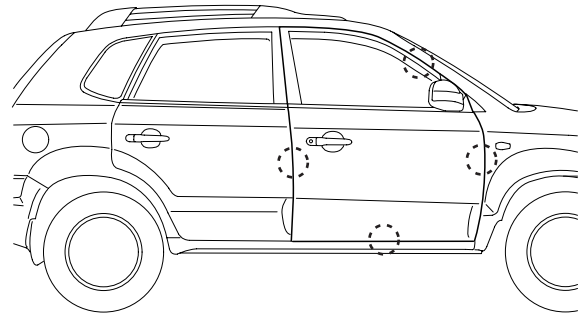
DOOR POSITION ADJUSTMENT

**NOTE**

After installing the door, check for a flush fit with the body, then check for equal gaps between the front, rear, and bottom, door edges and the body. Check that the door and body edges are parallel. Before adjusting, replace the mounting bolts.

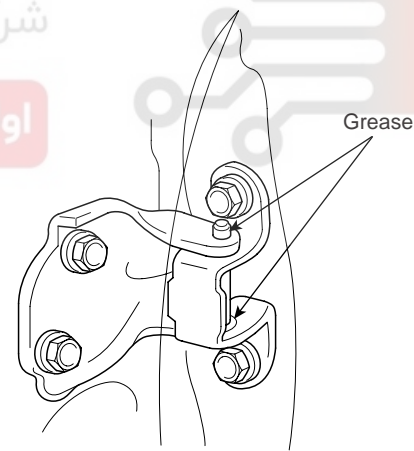
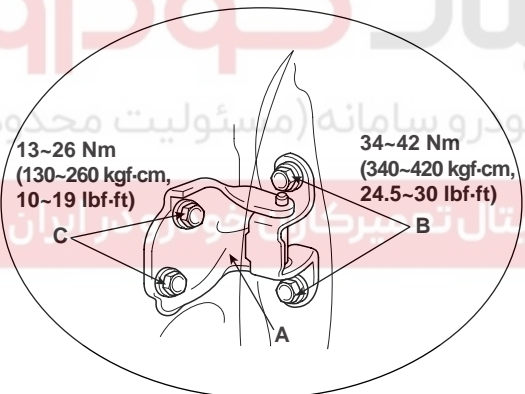
1. Place the vehicle on a firm, level surface when adjusting the doors.
2. Adjust at the hinges(A):
  - Loosen the door mounting bolts(B) slightly, and move the door IN or OUT until it's flush with the body.
  - Loosen the hinge mounting bolts(C) slightly, and move the door BACKWARD or FORWARD, UP or DOWN as necessary to equalize the gaps.
  - Place a shop towel(D) on the jack(E) to prevent damage to the door when adjusting the door.

3. Check that the door and body edges are parallel.



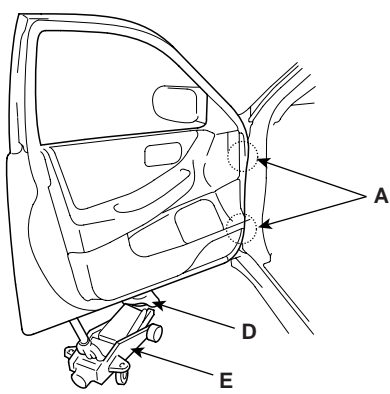
KSQE151F

4. Grease the pivot portions of the hinges indicated by the arrows.



ESKE0030

5. Check for water leaks (See page BD- 32).



ESKE003M

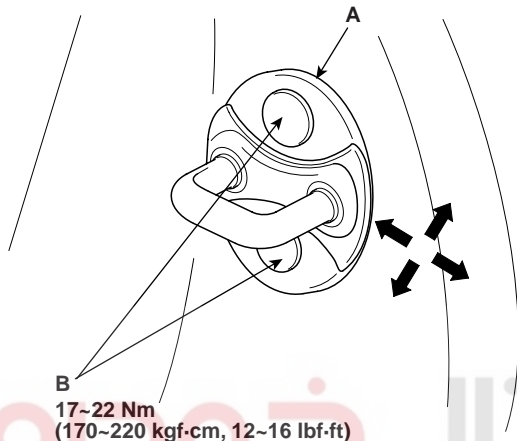
## BD -34

## BODY (INTERIOR AND EXTERIOR)

## DOOR STRIKER ADJUSTMENT

Make sure the door latches securely without slamming it. If necessary, adjust the striker (A): The striker nuts are fixed. The striker can be fine adjusted up or down, and in or out.

1. Loosen the screws (B), then insert a shop towel between the body and striker.



2. Lightly tighten the screws.
3. Wrap the striker with a shop towel, then adjust the striker by tapping it with a plastic hammer. Do not tap the striker too hard.
4. Loosen the screws and remove the shop towel.
5. Lightly tighten the screws.
6. Hold the outer handle out, and push the door against the body to be sure the striker allows a flush fit. If the door latches properly, tighten the screws and recheck.

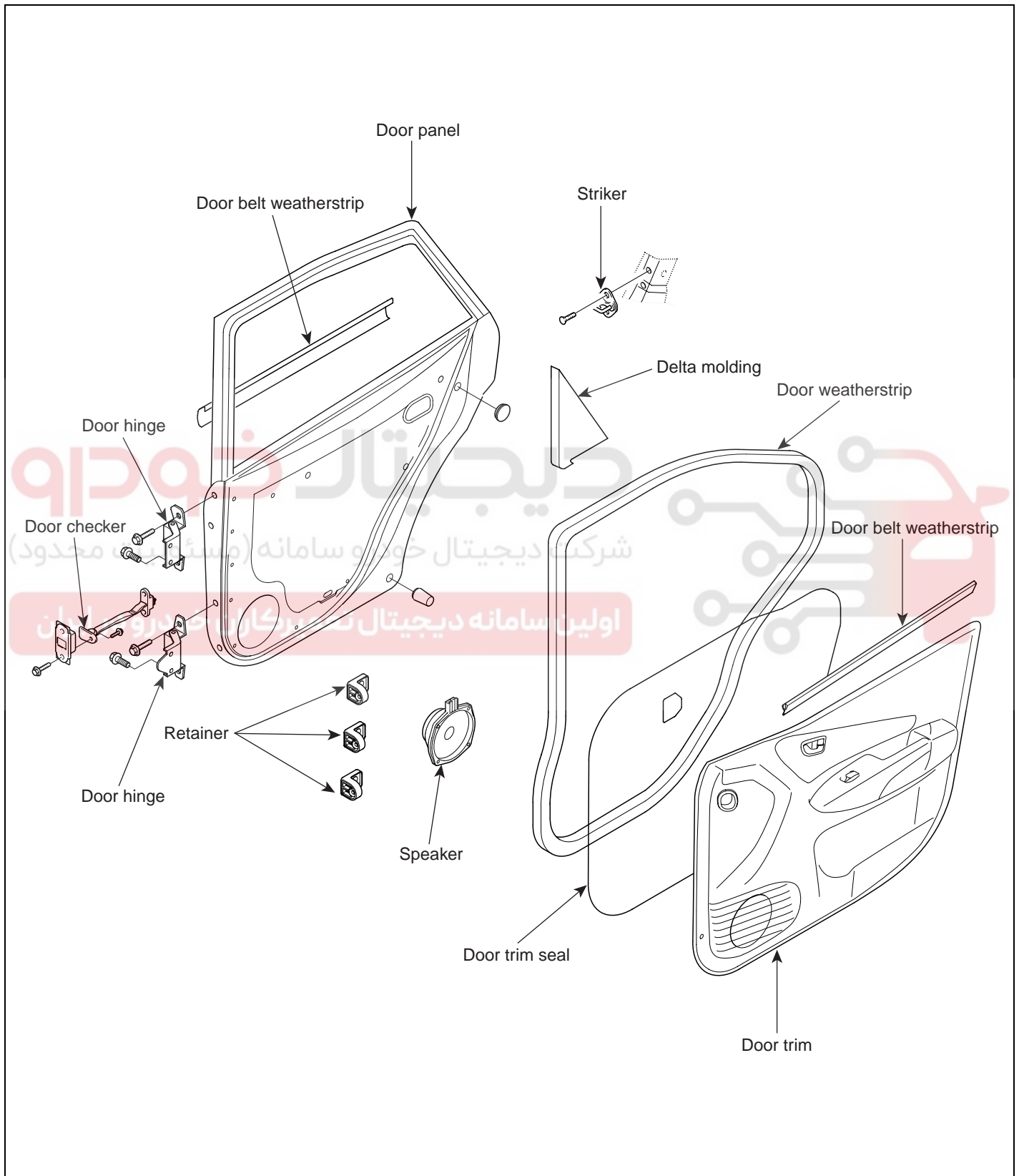


EXTERIOR

BD -35

REAR DOOR

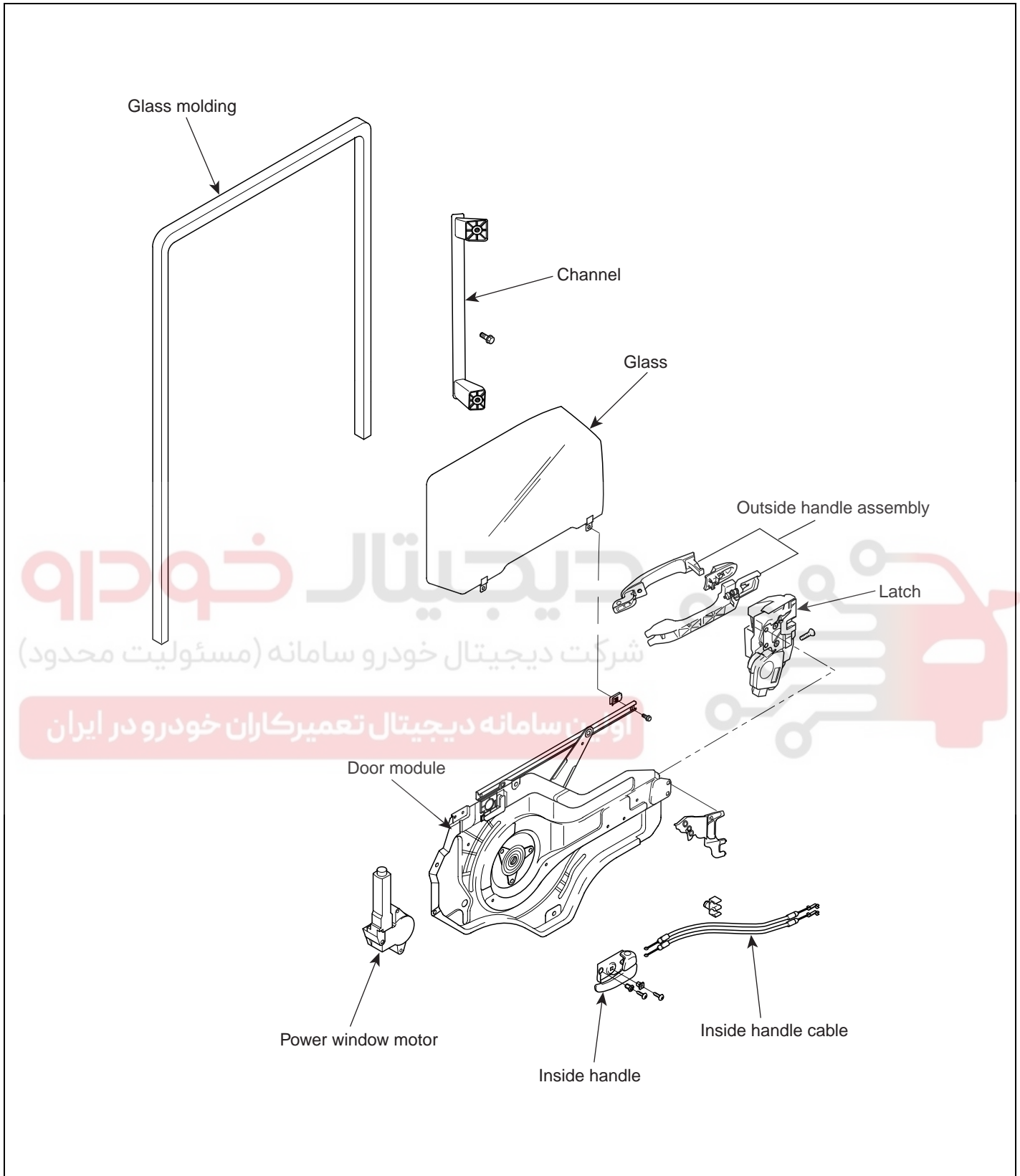
COMPONENTS EC04CAAF



ESQE150A

BD -36

BODY (INTERIOR AND EXTERIOR)



ESQE152A



EXTERIOR

BD -37

REMOVAL AND INSTALLATION EF148F2C

REMOVE REAR DOOR TRIM

**NOTE**

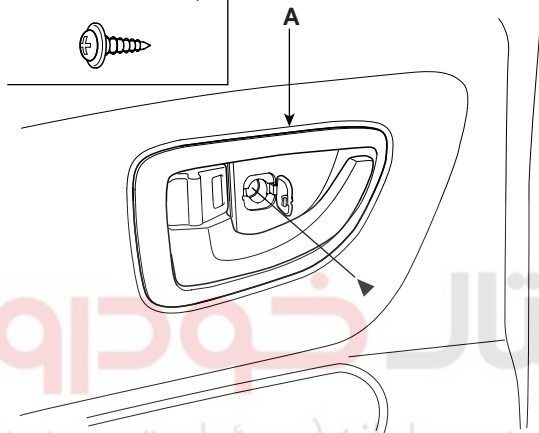
- Take care not to scratch the door trim and other parts.
- Put on gloves to protect your hands.

1. Remove the inside handle cover (A).

3. Remove the door trim seal.

4. Installation is the reverse of removal, make sure the connectors and courtesy light bulb socket are plugged in properly.

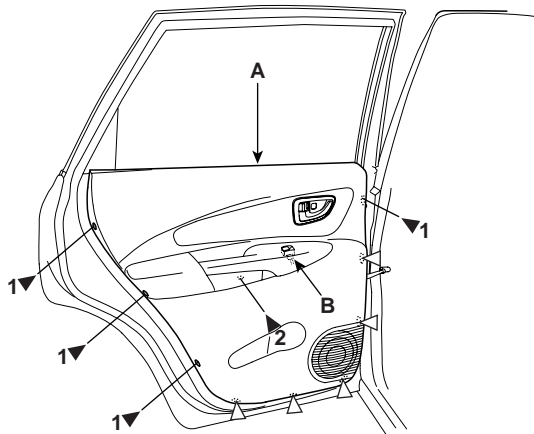
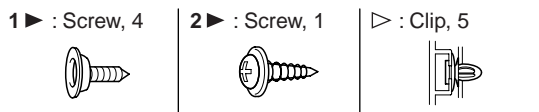
► : Screw locations, 1



اولین سامانه دیجیتال تعمیرکاران خودرو در ایران ESQE139B

2. Loosen the door trim (A) mounting screws. Release the clips that hold the door trim, then remove the door trim by pulling it upward. Disconnect the power window switch connector (B).

Fastener Locations



ESQE150B

BD -38

BODY (INTERIOR AND EXTERIOR)

REPLACEMENT EC1B5624

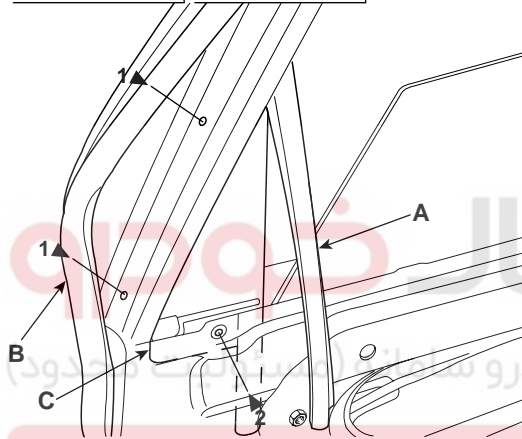
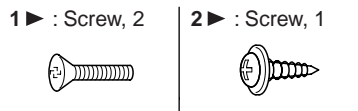
GLASS AND QUARTER GLASS REPLACEMENT

**NOTE**

Put in gloves to protect your hands.

1. Remove the door trim (See page BD- 37).
2. After disconnecting the glass run (A) and weatherstrip (B), then remove the delta molding (C).

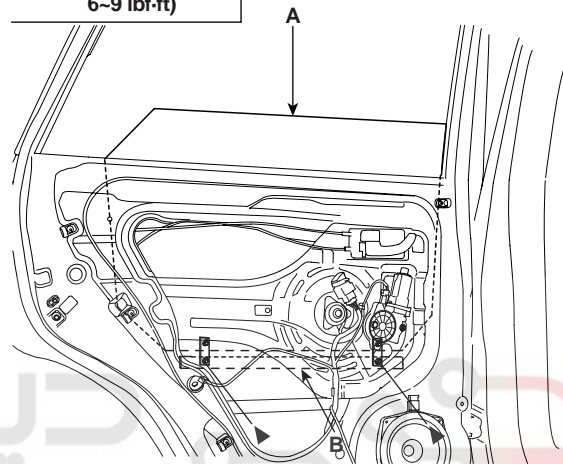
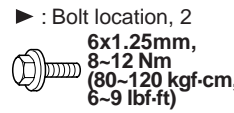
Fastener Locations



3. Carefully move the glass (A) until you can see the bolts, then loosen them. Carefully pull the glass out through the window slot (B).

**CAUTION**

Take care not to drop the glass and scratch the glass surface.



4. Installation is the reverse of removal.
  - Roll the glass up and down to see if it moves freely without binding.
  - Make sure that there is no clearance between the glass and glass run channel when the glass is closed.
  - Adjust the position of the glass as necessary (See page BD- 43).

ESQE150D

ESQE150C

## EXTERIOR

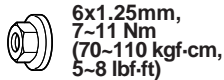
## BD -39

## REAR CHANNEL REPLACEMENT

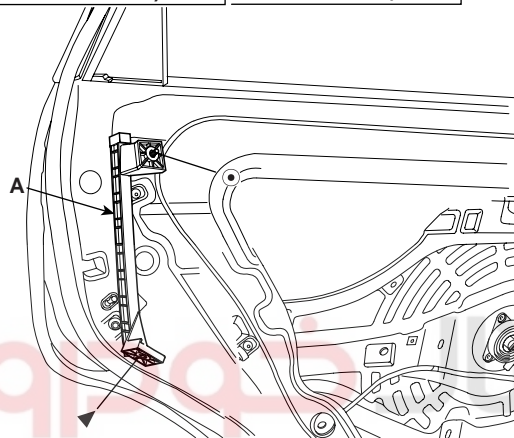
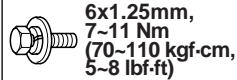
1. Remove the rear door trim (See page BD- 37).
2. Remove the glass (See page BD- 38).
3. After removing the rear channel mounting bolt and nut, remove the rear channel (A).

## Fastener Locations

○ : Nut, 1



▶ : Bolt, 1

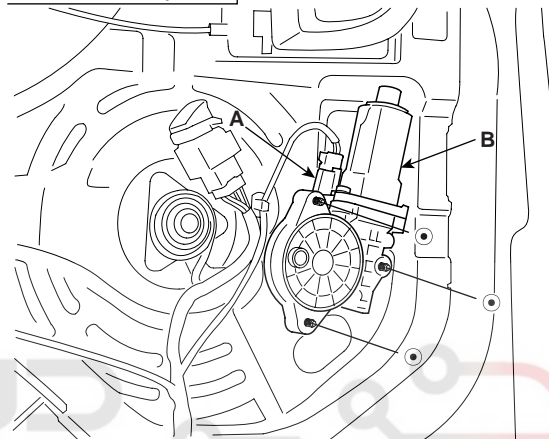
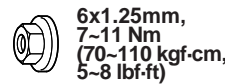


4. Installation is the reverse of removal.

## POWER WINDOW MOTOR REPLACEMENT

1. Remove the rear door trim (See page BD- 37).
2. Disconnect the power window motor connector (A).
3. After loosening the mounting nut, remove the power window motor (B).

○ : Nut locations, 3



4. Installation is the reverse of removal.

**NOTE**

- Make sure that there is no clearance between the glass and glass run channel when the glass is closed.
- Adjust the position of the glass as necessary (See page BD- 43).

شرکت دیجیتالی خودرو سامانه (مسئولیت محدود) ESQE150E

ESQE150H

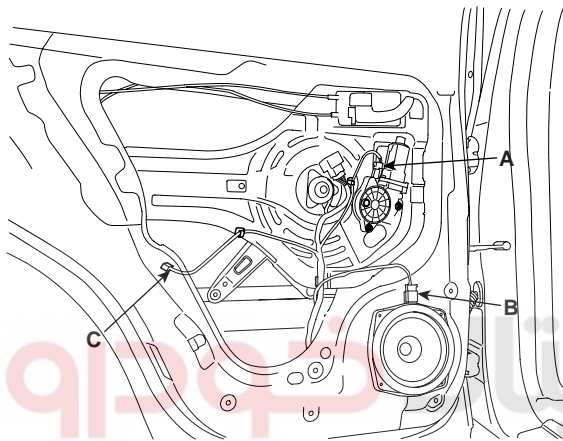
ایران سامانه دیجیتالی تعمیرکاران خودرو در ایران

**BD -40**

**BODY (INTERIOR AND EXTERIOR)**

**REAR DOOR MODULE REPLACEMENT**

1. Remove the door trim (See page BD- 37).
2. Remove the glass (See page BD- 38).
3. Remove the rear channel (See page BD- 39).
4. Disconnect the power window motor connector (A), speaker connector (B) and actuator connector (C). Detach the harness clip.

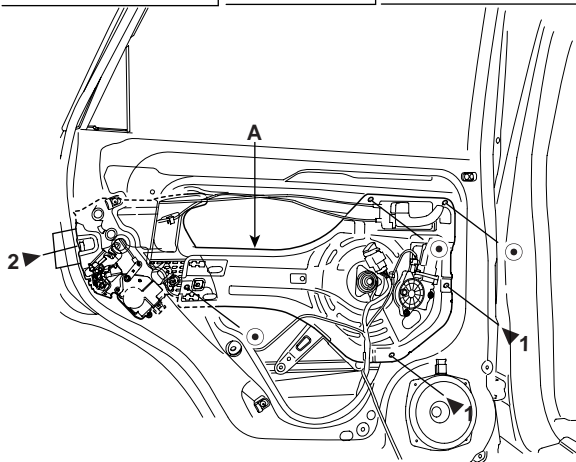


KSQE150I

5. Remove the door module assembly (A).

**Fastener Locations**

<p>1 ► : Bolt, 2 6x1.25mm, 7~11 Nm (70~110 kgf-cm, 5~8 lbf-ft)</p>	<p>2 ► : Screw, 3 </p>	<p>◉ : Nut, 3 6x1.25mm, 7~11 Nm (70~110 kgf-cm, 5~8 lbf-ft)</p>
--	----------------------------	---



ESQE150J

6. Installation is the reverse of removal.

**NOTE**

Make sure the door locks and opens properly.

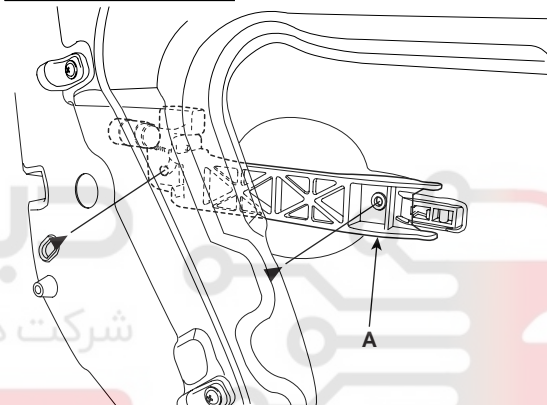
**OUTSIDE HANDLE REPLACEMENT**

**NOTE**

Put on gloves to protect your hands.

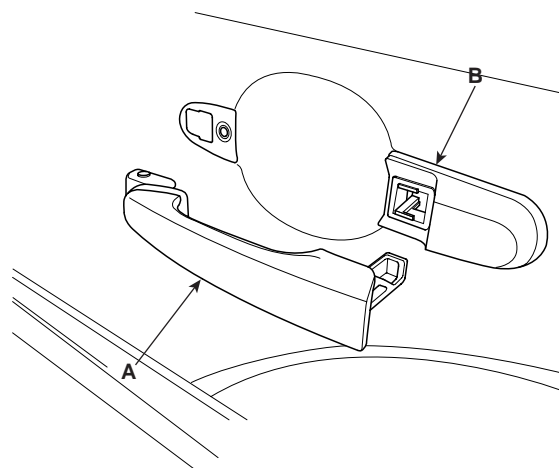
1. Remove the door trim (See page BD- 37).
2. Remove the glass (see page BD- 38).
3. Remove the rear door module (see page BD- 40).
4. Remove the outside handle base (A).

► : Bolt locations, 2  
6x1.25mm,  
7~11 Nm  
(70~110 kgf-cm,  
5~8 lbf-ft)



ESQE150F

5. Remove the outside hand lever (A) and cover (B).



KSQE150G

6. Installation is the reverse of removal.

**NOTE**

Make sure the door locks and opens properly.

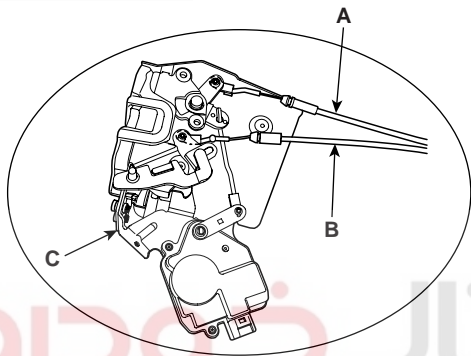
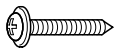
## EXTERIOR

BD -41

## REAR DOOR LATCH REPLACEMENT

1. Remove the rear door module (See page BD- 40).
2. Remove the latch cover, then disconnect the lock cable (A) and inside handle cable (B).
3. Remove the rear door latch (C).

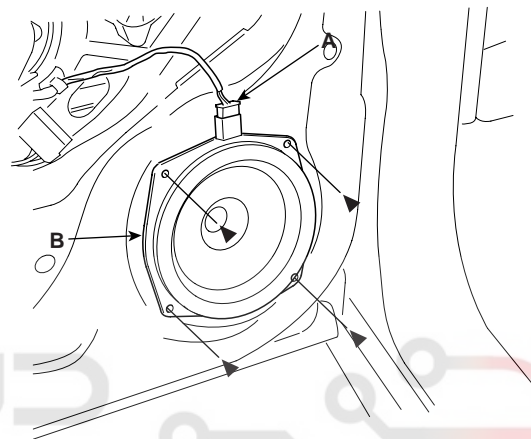
► : Screw locations, 1



## SPEAKER REPLACEMENT

1. Remove the rear door trim (See page BD- 37).
2. After disconnecting the speaker connector (A), remove the speaker (B).
3. Installation is the reverse of removal.

► : Screw location, 4



شرکت دیجیتال خودرو سامانه (مسئولیت محدود) ESQE150M

4. Installation is the reverse or removal.

ESQE1400

اولین سامانه دیجیتال تعمیرکاران خودرو در ایران

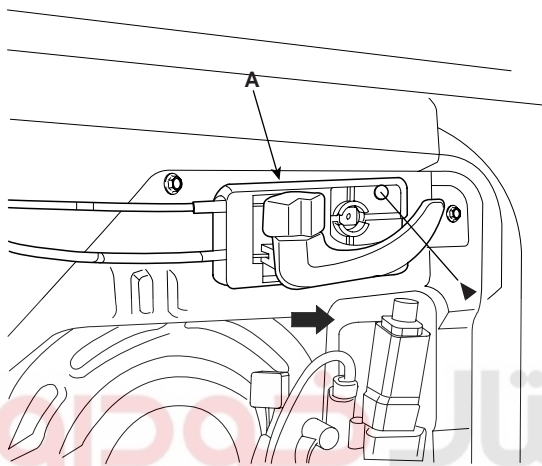
**BD -42**

**BODY (INTERIOR AND EXTERIOR)**

**INSIDE HANDLE REPLACEMENT**

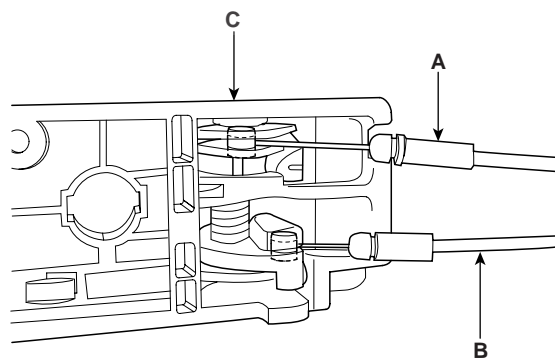
1. Remove the front door trim (See page BD- 37).
2. Loosen the inside handle (A) mounting screw. Push the inside handle forward to disconnect from the door module.

► : Screw location, 1



ESQE140P

3. Disconnect the lock cable (A) and inside handle connect cable (B).



KSQE140R

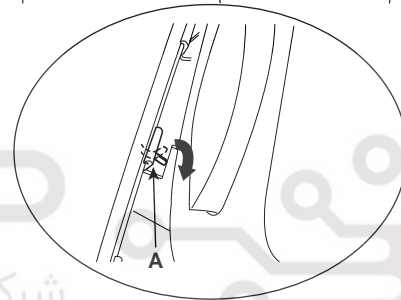
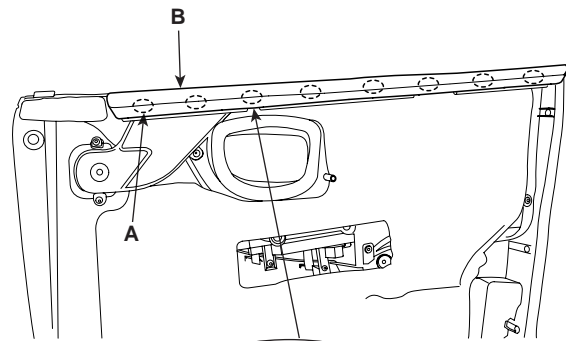
4. Installation is the reverse of removal.

**NOTE**

*Make sure the door locks and opens properly.*

**DOOR BELT WEATHERSTRIP REPLACEMENT**

1. Remove the front door trim (See page BD- 37).
2. Release the hooks (A), and then remove the door belt weatherstrip (B).



KSQE140U

3. Installation is the reverse of removal.



## EXTERIOR

BD -43

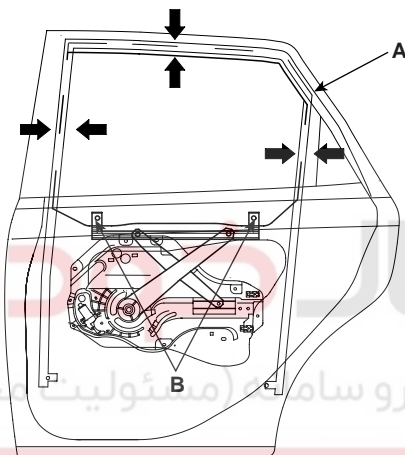
## ADJUSTMENT E1F543CA

## GLASS ADJUSTMENT

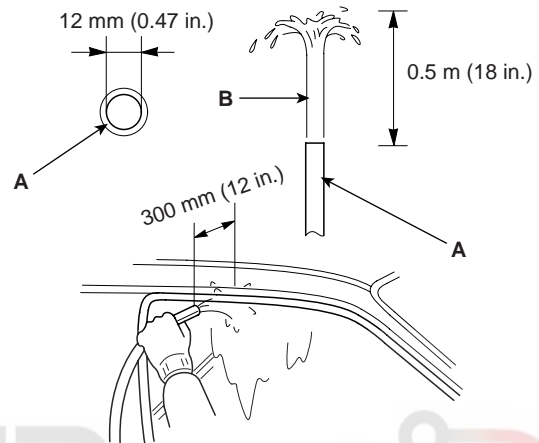
 NOTE

Check the weatherstrips and glass run channel for damage or deterioration, and replace them if necessary.

1. Remove the door trim (See page BD- 37).
2. Carefully move the glass (A) until you can see the glass mounting bolts (B), then loosen them.



6. Check for water. Run water over the roof and on the sealing area as shown, and note these items:
  - Use a 12mm (1/2in.) diameter hose (A).
  - Adjust the rate of water flow as shown (B).
  - Do not use a nozzle.
  - Hold the hose about 300mm(12in.) away from the door (C).



ESKE003L

## DOOR POSITION AND STRIKER ADJUSTMENT

Adjust the door position and striker (See page BD- 34).

ESQE151C

3. Push the glass against the center channel, then tighten the glass mounting bolts.
4. Check that the glass moves smoothly.
5. Raise the glass fully, and check for gaps. Check that the glass contacts the glass run channel evenly.



BD -44

BODY (INTERIOR AND EXTERIOR)

**BODY SIDE MOLDINGS**

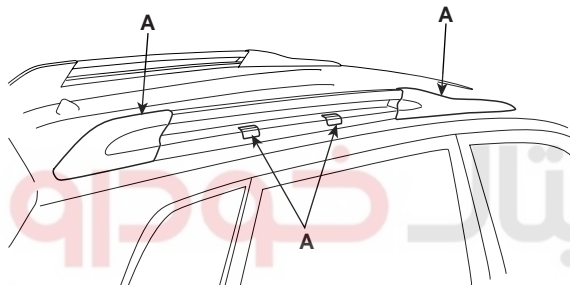
**REPLACEMENT** E5B971CF

**ROOF RACK REPLACEMENT**

**NOTE**

- When prying with a flat-tip screwdriver, wrap it with protective tape, and apply protective tape around the related parts, to prevent damage.
- Put on gloves to protect your hands.
- Take care not to scratch the body surface.

1. Remove the roof rack cover (A).

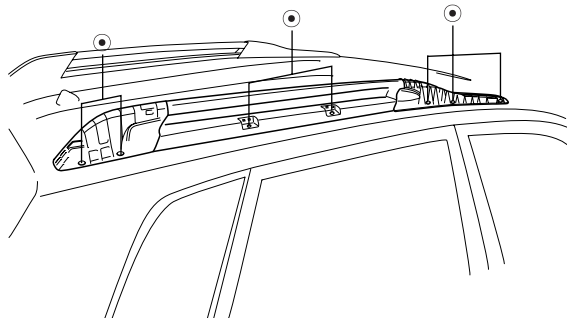


KSQE160A

2. Remove the roof rack (A).

3. Installation is the reverse of removal.

○ : Nut locations, 7  
 6x1.25mm,  
 7~11 Nm  
 (70~110 kgf-cm,  
 5~8 lbf-ft)



ESQE160B

**FRONT MUD GUARD AND WHEEL GUARD REPLACEMENT**

**NOTE**

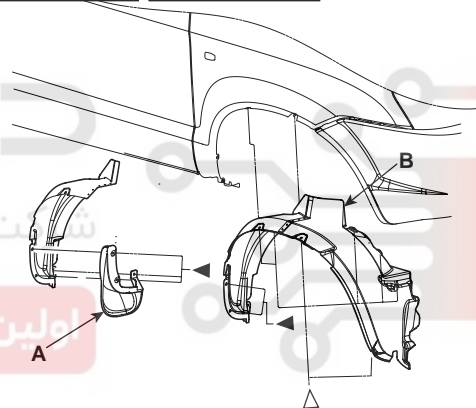
- When prying with a flat-tip screwdriver, wrap it with protective tape, and apply protective tape around the related parts, to prevent damage.
- Put on gloves to protect your hands.
- Take care not to scratch the body surface.

1. Remove the mud guard (A).
2. Remove the wheel guard (B).
3. Installation is the reverse of removal.

**Fastener Locations**

▶ : Screw, 3

▷ : Clip, 7



ESQE160C

**EXTERIOR**

**BD -45**

**REAR MUD GUARD AND WHEEL GUARD REPLACEMENT**

**NOTE**

- When prying with a flat-tip screwdriver, wrap it with protective tape, and apply protective tape around the related parts, to prevent damage.
- Put on gloves to protect your hands.
- Take care not to scratch the body surface.

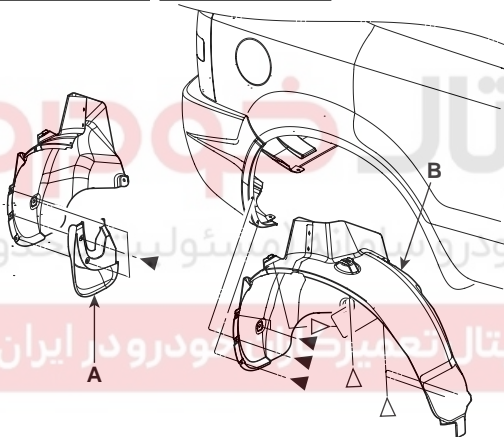
1. Remove the mud guard (A).
2. Remove the wheel guard (B).
3. Installation is the reverse of removal.

**Fastener Locations**

▶ : Screw, 3



▷ : Clip, 7



ESQE160F

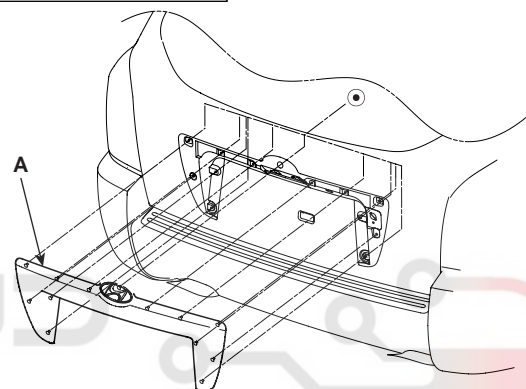
**TAILGATE GARNISH REPLACEMENT**

1. Remove the tailgate trim (See page BD- 13).
2. Remove the key cylinder (See page BD- 16).
3. Remove the tailgate garnish (A).
4. Installation is the reverse of removal.

⊙ : Nut locations, 11



**5x1.0mm**  
**0.4~0.6kgf·m**



ESQE160I

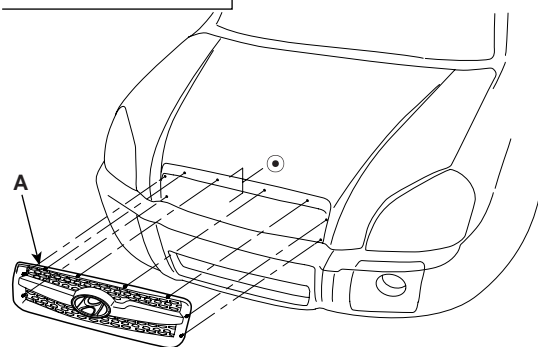
**RADIATOR GRILLE REPLACEMENT**

1. Open the hood.
2. Remove the radiator grille (A).
3. Installation is the reverse of removal.

⊙ : Nut locations, 8



**6x1.25mm**  
**0.4~0.6kgf·m**



ESQE160J

## BD -46

## BODY (INTERIOR AND EXTERIOR)

## SIDE GARNISH AND SIDE SILL REPLACEMENT

 NOTE

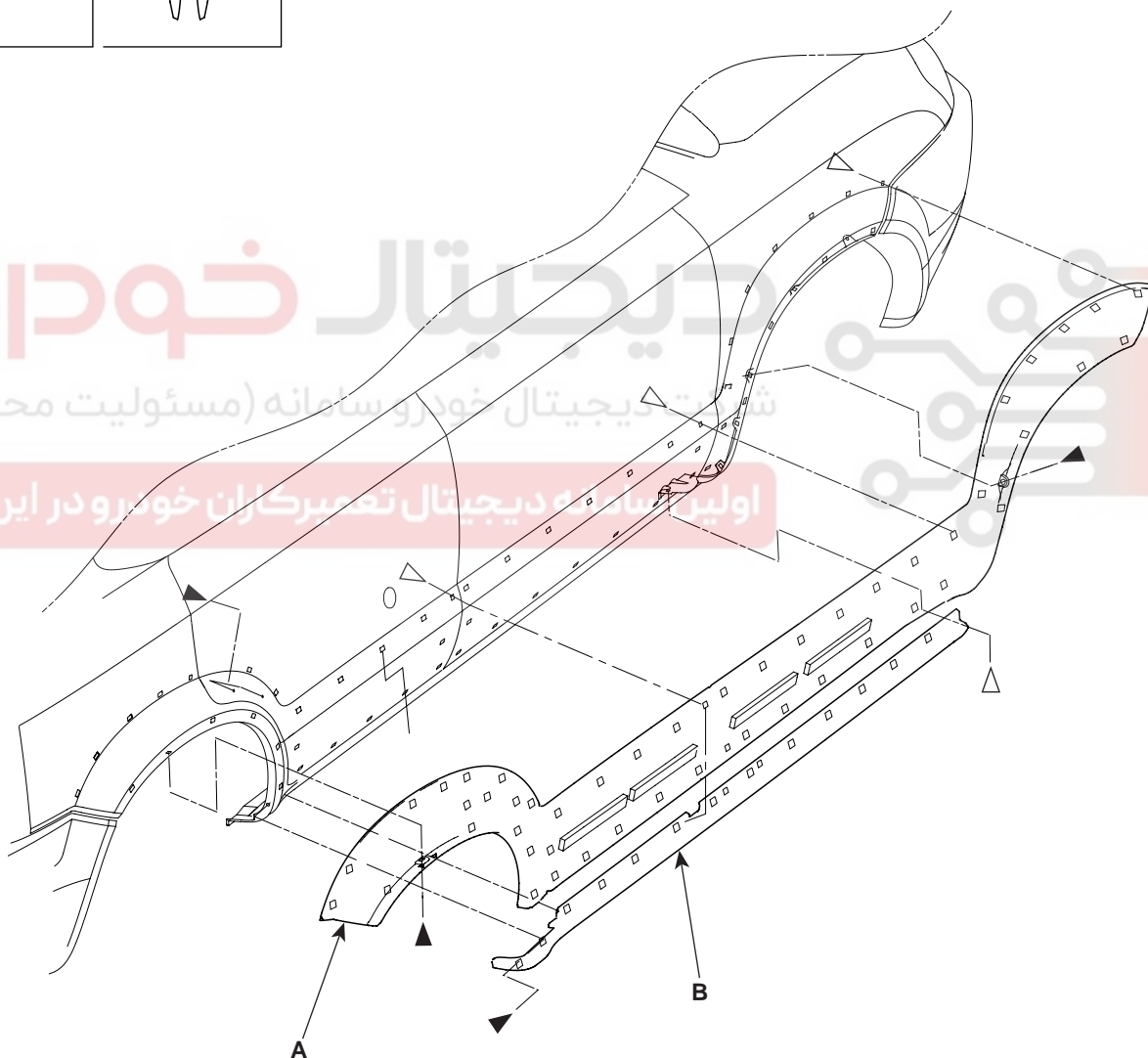
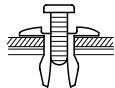
- Wrap the blade of your putty knife or flat tip screwdriver with protective tape to prevent damage to the door.
- Be careful not to pry too far or you may bend the garnish.
- Put on gloves to protect your hand.

1. Prepare to remove the garnish from inside the vehicle.
  - To remove screws the front and rear door panel (See page BD- 25, 37).
2. Remove the clips and screws and gently pry the side garnish (A) or side sill (B) away from the door while removing the adhesive tape.

## Fastener Locations

▶ : Screw

▷ : Clip



ESQE160K

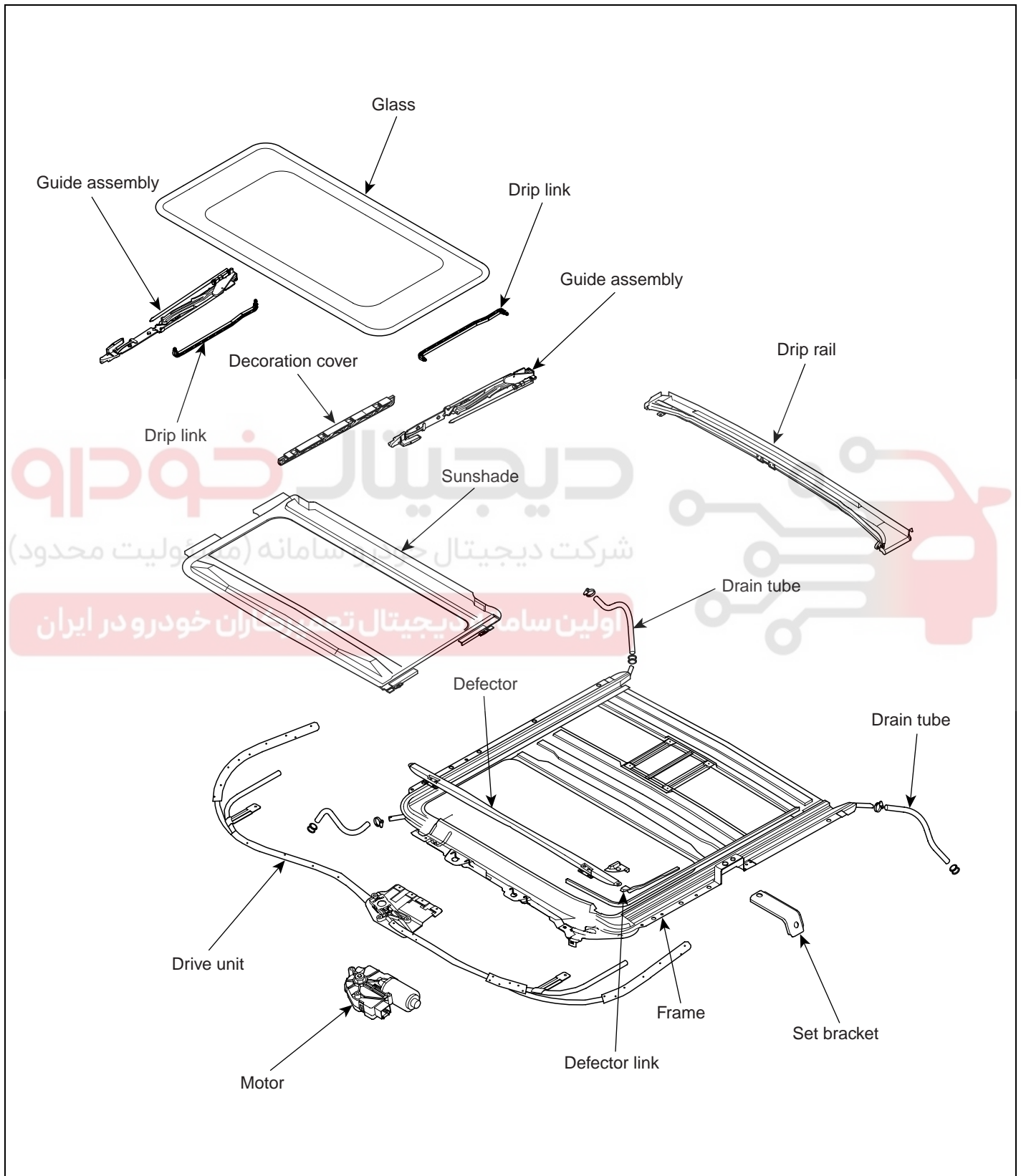
3. Installation is the reverse of removal.  
Replace any damaged clips adhesive tape.

EXTERIOR

BD -47

SUN ROOF

COMPONENTS E0293844



ESQE170A

**BD -48**

**BODY (INTERIOR AND EXTERIOR)**

**ON-VEHICLE INSPECTION** E299B6DA

**INSPECT SUNROOF GLASS ALIGNMENT**

1. Start the engine and check the operating time of the sunroof (A).

---

Operating time: Approx. 5 secs.

---

4. The roof panel (A) should be even with the glass (B) weatherstrip (C), to within the standard value "E" all the way around. If not, make the following adjustment.

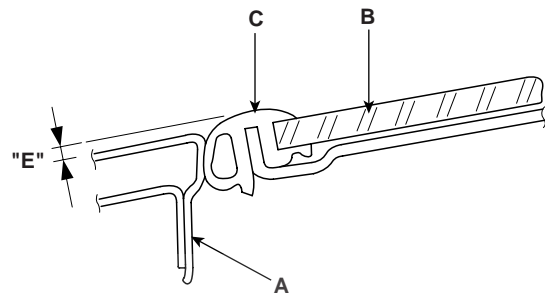
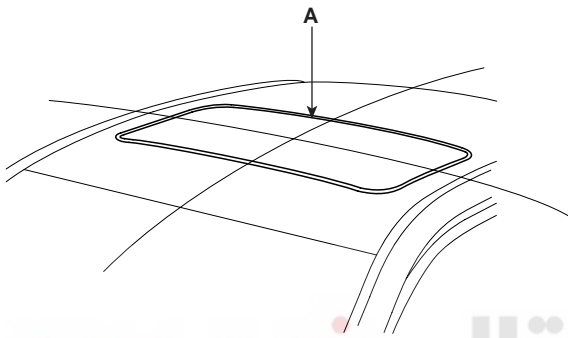
---

Standard value "E"

Front edge: 0 ~ 1.4mm

Rear edge: 1.0 ~ 1.4mm

---



دیجیتال خودرو

شرکت دیجیتال خودرو سامانه (مسئولیت محدود)

ESKE007B

ESKE007C

2. Check for abnormal noise or bending during operation.
3. With the sunroof fully closed, check for water leakage.

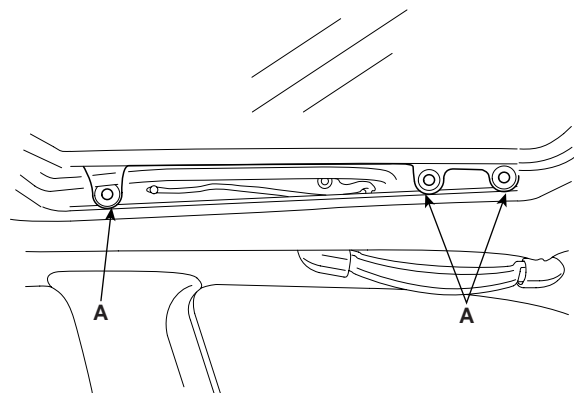
5. If the position is not as specified, lightly loosen the glass adjusting screw (A) to adjust the glass height and tighten it.

---

Tightening torque:

2 ~ 4Nm (20 ~ 40kgf·cm, 1.5 ~ 2.9 lbf·ft)

---



KSQE170C

## EXTERIOR

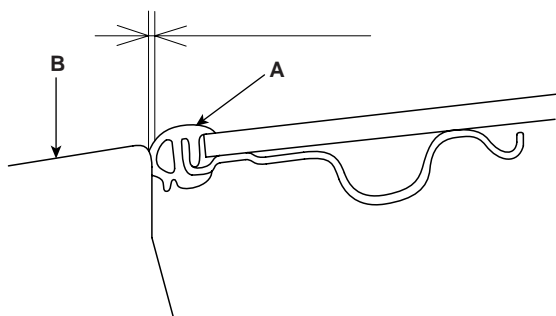
BD -49

6. Check for overlap between the sunroof weatherstrip (A) and the roof panel (B).

---

Standard value: 1.1mm

---



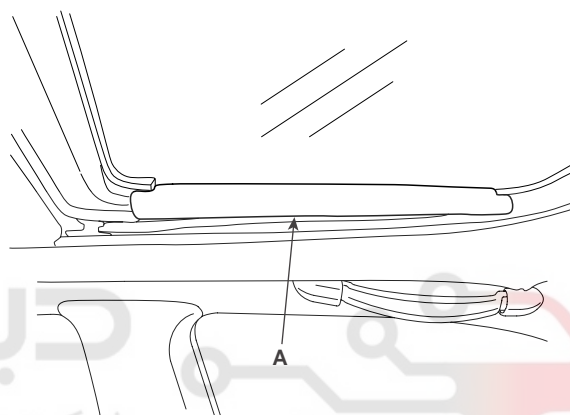
## REPLACEMENT E39ECA66

**NOTE**

*Put on gloves to protect your hands.*

## GLASS REPLACEMENT

1. Close the glass fully and slide the sunshade all the way back.
2. Remove both decoration covers (A).



دیجیتال خودرو  
 شرکت دیجیتال خودرو سامانه (مسئولیت محدود)

اولین سامانه دیجیتال تعمیرکاران خودرو در ایران

KSQE170E

## BD -50

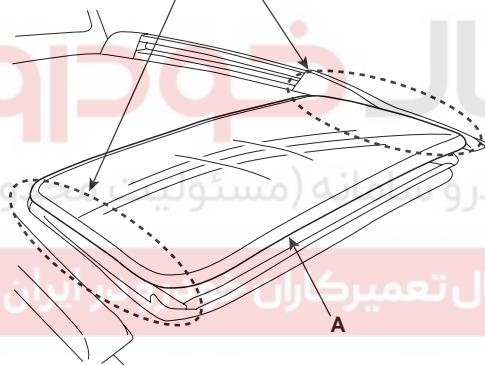
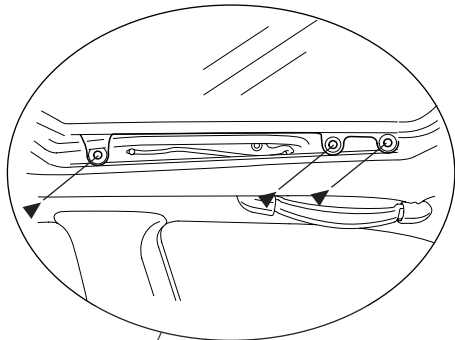
## BODY (INTERIOR AND EXTERIOR)

- Remove the glass (A) by lifting it up.

 **NOTE**

Do not damage the roof panel.

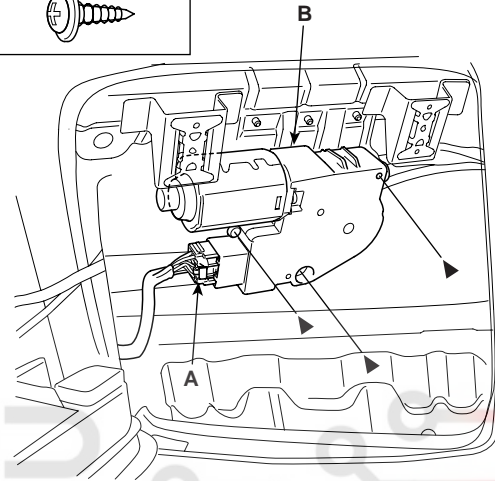
► : Screw locations, 6



## MOTOR AND CONTROLLER REPLACEMENT

- Remove the over head console (See page BD- 71).
- Disconnect the motor connector (A), remove the screws and then remove the motor (B).
- Installation is the reverse of removal.

► : Screw locations, 3



ESQE170J

ESQE170D

- Installation is the reverse of removal, and adjust the glass height alignment. Check for water leaks. Do not use high-pressure water.



**EXTERIOR****BD -51****DEFLECTOR REPLACEMENT**

1. Open the glass fully.
2. Disconnect the deflector link (A) from the frame (B), and then remove the deflector (C).
3. Installation is the reverse of removal.



ESQE170M



BD -52

BODY (INTERIOR AND EXTERIOR)

SUNROOF ASSEMBLY REPLACEMENT

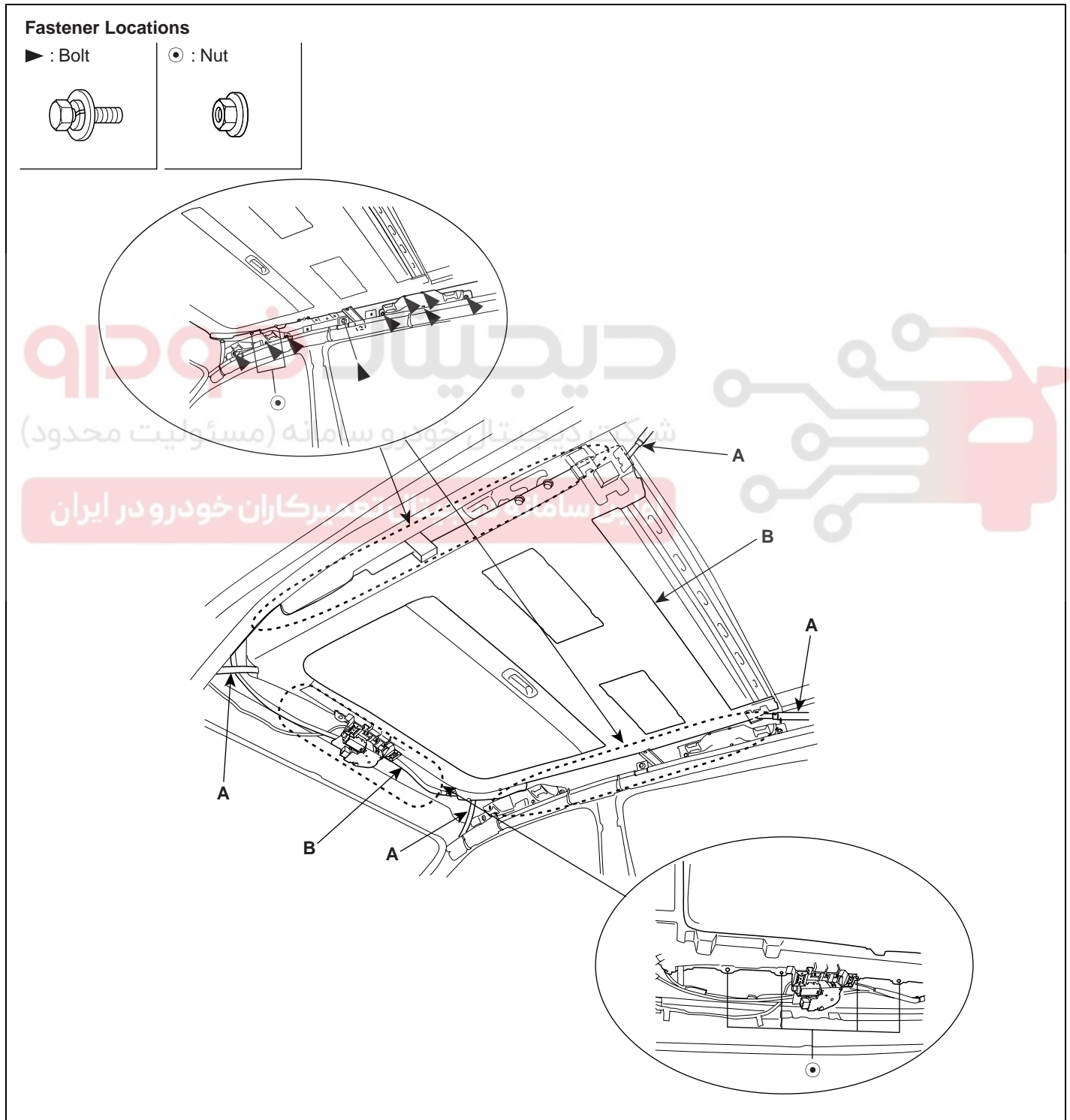
1. Remove the follows parts.
  - Front and rear door scuff trim (See page BD- 69).
  - Front, center and rear pillar trim (See page BD- 69).
  - Headlining (See page BD- 71).
  - Sunroof glass (See page BD- 49).
2. Disconnect the drain tubes (A).

3. After loosening the mounting bolts and nuts, remove the sunroof assembly (B).

 **NOTE**

Take care not to scratch the interior trims and other parts.

4. Installation is the revers of removal.



ESQE1701

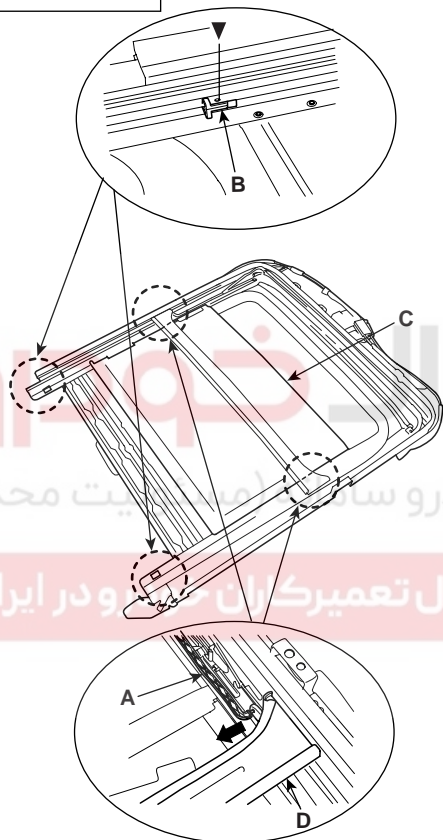
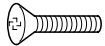
EXTERIOR

BD -53

SUNSHADE AND DRIP RAIL REPLACEMENT

1. Remove the sunroof assembly (See page BD- 52).
2. Remove the drip link (A) and sunshade stopper (B).
3. Remove the sunshade (C) and drip rail (D).
4. Installation is the reverse of removal.

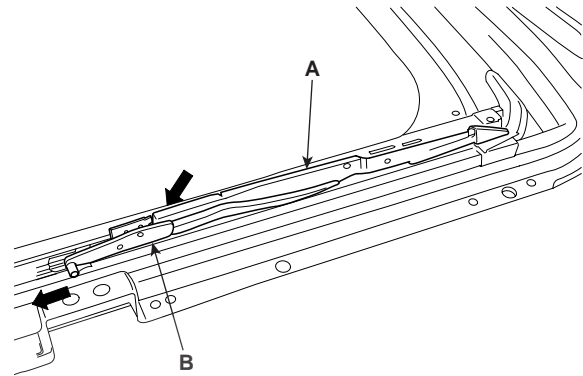
► : Screw locations, 1



ESQE171D

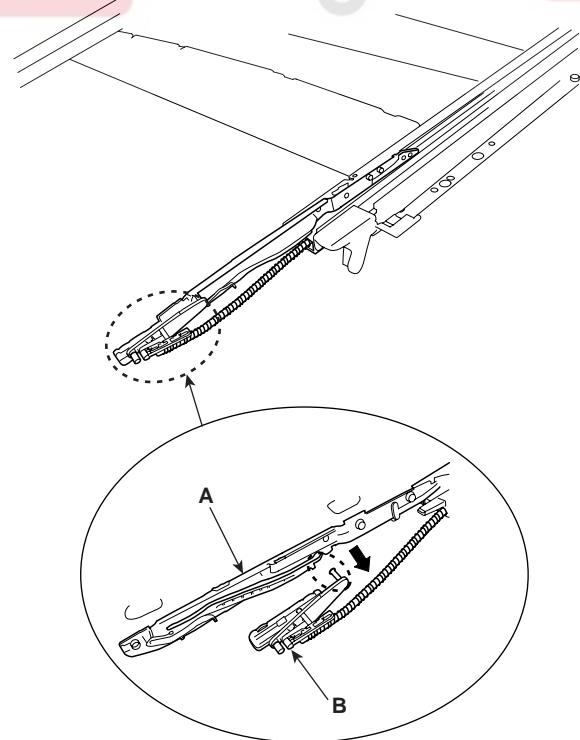
GUIDE ASSEMBLY REPLACEMENT

1. Remove the sunroof assembly (See page BD- 52).
2. Remove a guide assembly (A) after lowering a guide thoroughly by pushing a slide (B) to rear.



ESQE171E

3. Remove the guide (A) and slide (B).



ESQE171H

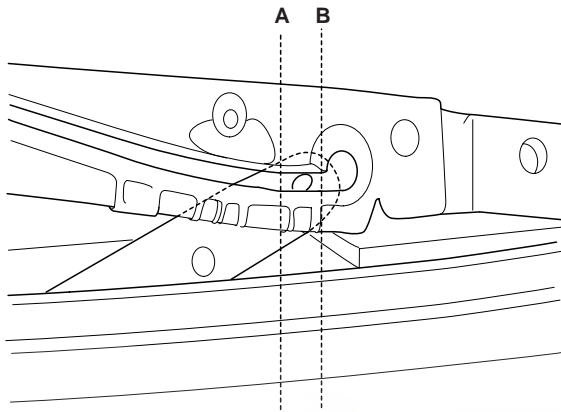
## BD -54

## BODY (INTERIOR AND EXTERIOR)

4. Installation is the reverse of removal.

**CAUTION**

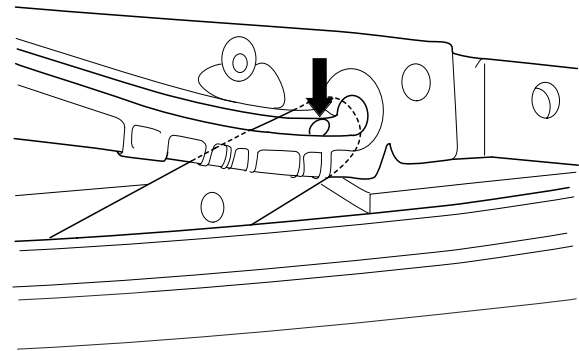
- **Make sure to align the slide with the center of "A" and "B".**
- **Make sure to initialize the motor.**



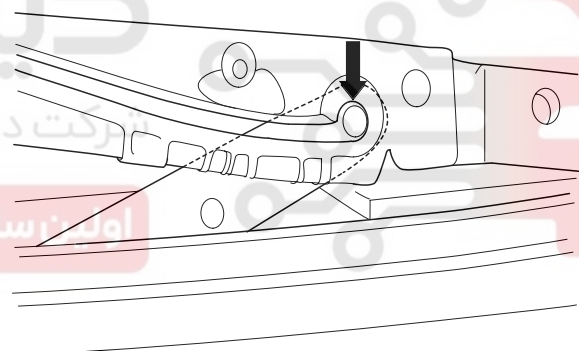
**ADJUSTMENT** EF6C1367

**HOW TO INITIALIZE MOTOR**

1. Check that the glass has been installed.
  - Finished height adjustment.
2. Push the up switch. (Keeping on pushing the switch)
  - The slide moved 5mm forward after 15 seconds.



- Before moving the slide -



- After moving the slide -

KSQE1711

ESQE171M

3. After moving the slide 5mm forward, turn OFF the switch and push the UP switch (Keeping on pushing the switch with continuous operation)
  - If the operation above is normal condition, the sunroof once and closes.
4. When the sunroof is closed completely, turn OFF the UP switch initialize the motor completely.

**EXTERIOR****BD -55****NECESSARY TO INITIALIZE THE MOTOR**

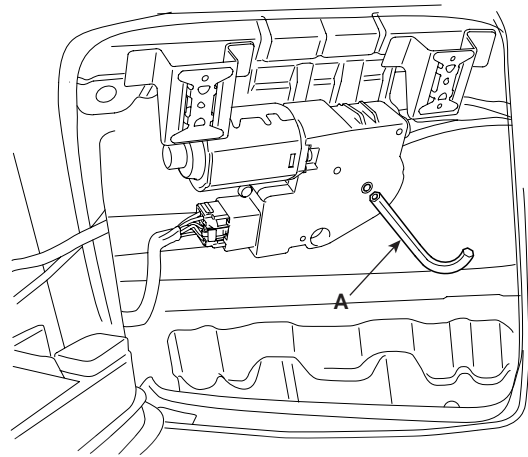
1. First operation the vehicle after manufacture it.
2. Initial value is erased or damaged because of short power electric discharge during operation
3. After altering into manual handle.

**OPERATING THE SUNROOF EMERGENCY HANDLE**

1. Use the sunroof emergency handle to close and open the sunroof manually for the following case only:
  - To close the sunroof before driving a vehicle in a rainy day or on the highway if the sunroof cannot be closed due to failure of the sunroof motor or controller.
2. Operating method
  - Remove the overhead console.
  - Push the emergency handle up into the hexagonal drive (A) of the sunroof motor. You must push hard enough to disengage the motor clutch; otherwise the emergency handle will slip due to un-completely fit in the motor.
  - Carefully turn the emergency handle clockwise to close the sunroof.
  - After closing the sunroof, wiggle the handle back and forth as you remove the tool from the motor, to ensure the motor clutch reengages.
  - A 5mm hex socket may be used in place of the emergency handle, with a "Speeder" type handle.

**⚠ CAUTION**

**Do not use power tools to operate the sunroof. Damage to the components may occur.**



KSQE171N



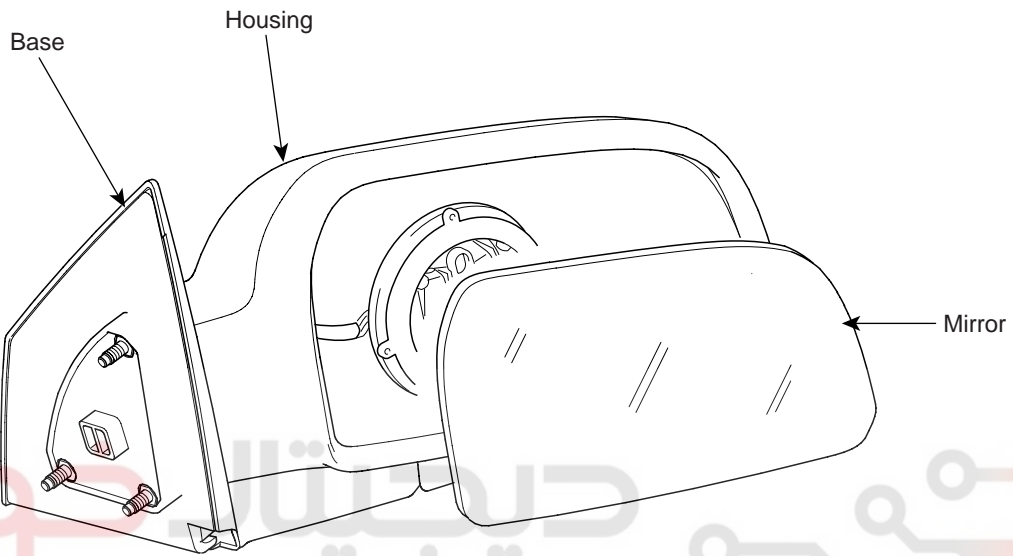
BD -56

BODY (INTERIOR AND EXTERIOR)

# MIRROR

## COMPONENTS E65914C5

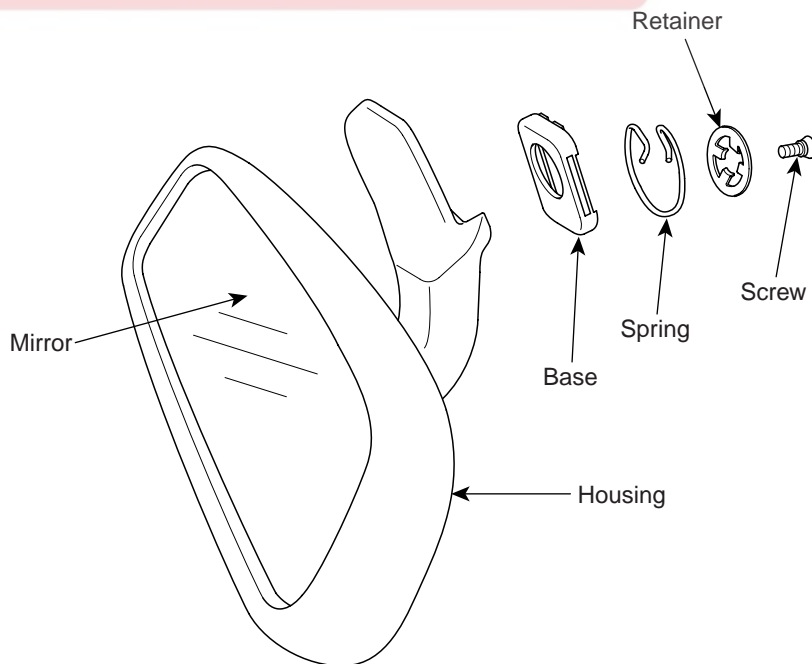
### [Outside rearview mirror]



شرکت دیجیتال خودرو سامانه (مسئولیت محدود)

### [Inside rearview mirror]

اولین سامانه دیجیتال تعمیرکاران خودرو در ایران



ESQE180B

EXTERIOR

BD -57

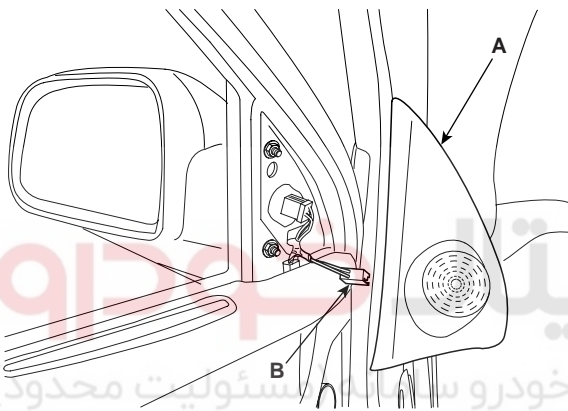
REPLACEMENT E2DE8BCD

OUTSIDE REAR VIEW MIRROR REPLACEMENT

**NOTE**

- When prying with a flat-tip screwdriver, wrap it with protective tape, and apply protective tape around the related parts, to prevent damage.
- Put on gloves to protect your hands.

1. Remove the quadrant inner cover (A), then disconnect the connector (B).



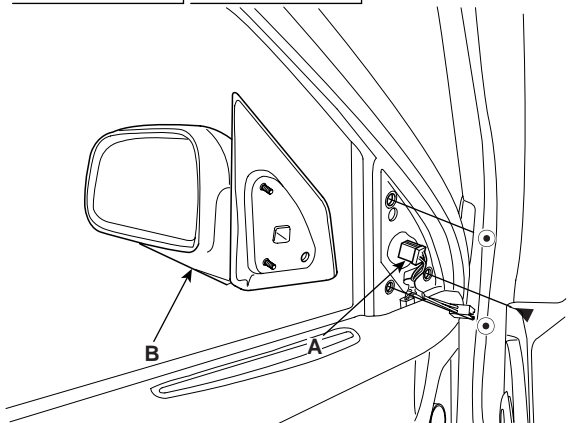
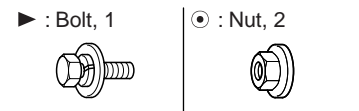
ESQE180C

2. After disconnecting the connector (A), remove the outside rear view mirror (B).

Fastener Locations

► : Bolt, 1

● : Nut, 2

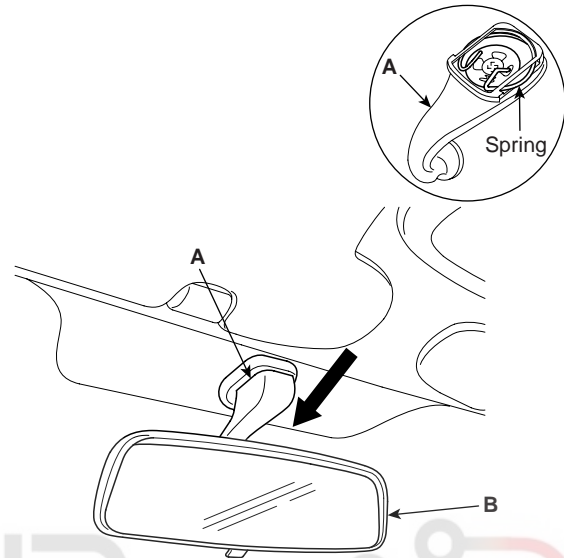


ESQE180D

3. Installation is the reverse of removal.

INSIDE REAR VIEW MIRROR REPLACEMENT

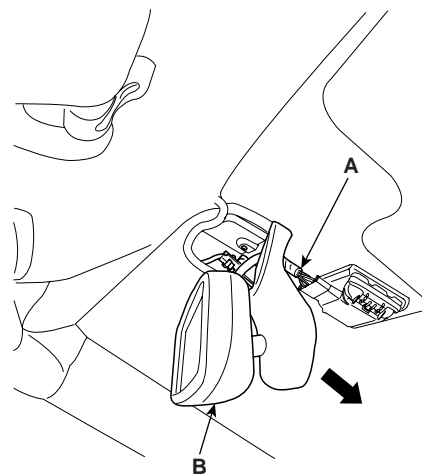
1. Push the inside rear view mirror base (A) down to remove the inside rear view mirror assembly (B).
2. Installation is the reverse of removal.



ESQE231C

ECM MIRROR REPLACEMENT

1. Remove the cover and connector (A).
2. Push the ECM mirror base down to remove the ECM mirror assembly (B).
3. Installation is the reverse of removal.



KSQE180F



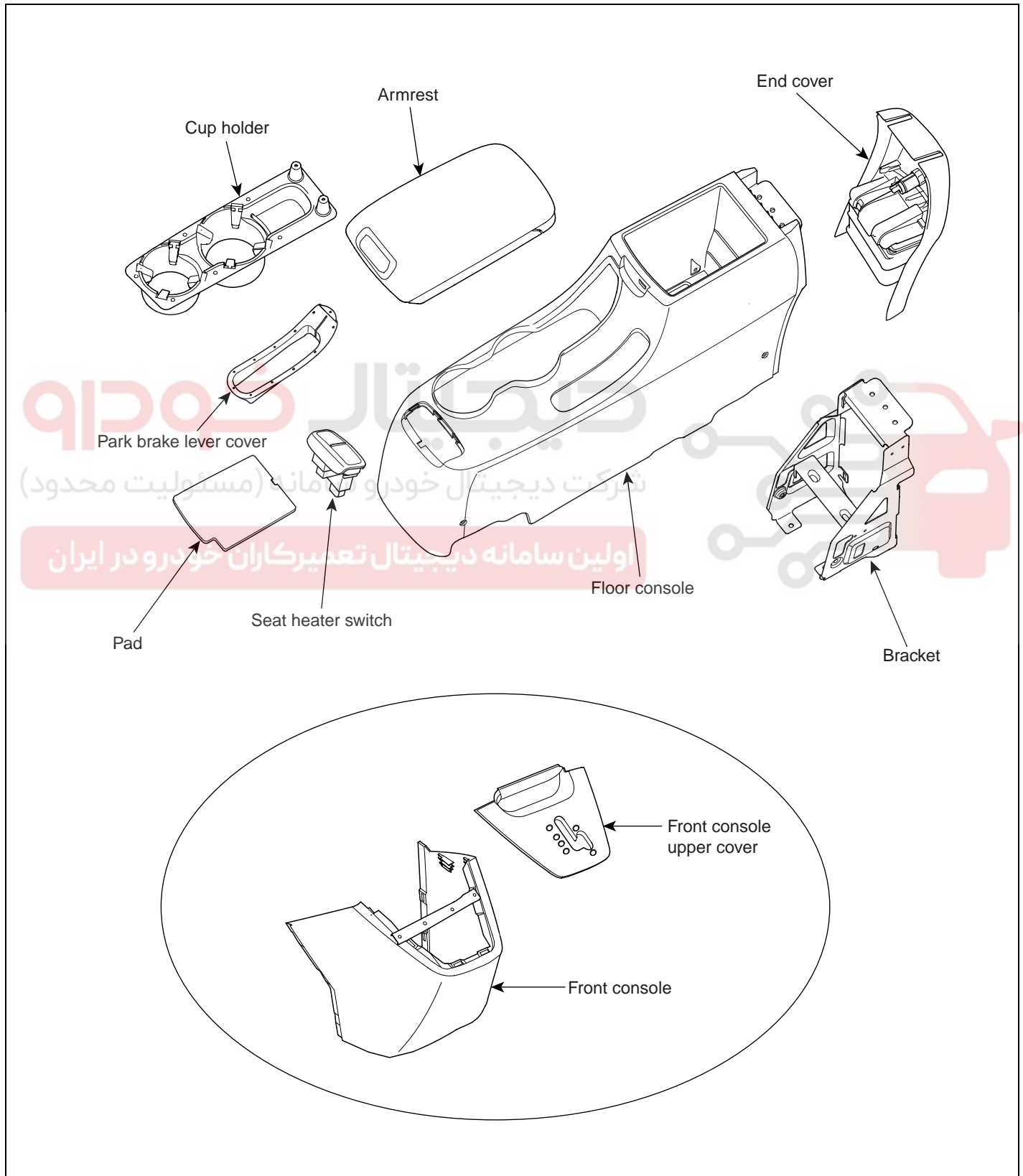
BD -58

BODY (INTERIOR AND EXTERIOR)

# INTERIOR

## CONSOLE

COMPONENTS ED9C094F



ESQE201A

INTERIOR

REPLACEMENT EC540D51

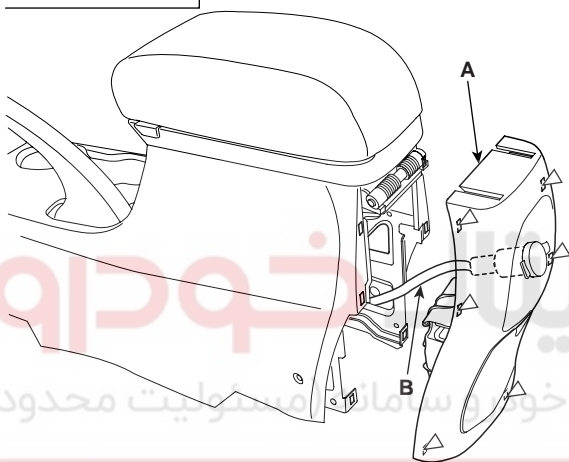
FLOOR CONSOLE REPLACEMENT

**NOTE**

- When prying with a flat-tip screwdriver, wrap it with protective tape, and apply protective tape around the related parts, to prevent damage.
- Put on gloves to protect your hands.

1. Remove the end cover (A).

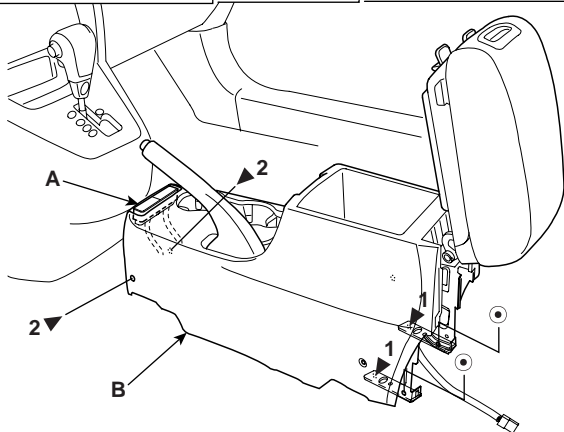
▷ : Clip locations, 6



2. Loosen the console mounting bolts and nuts.
3. After disconnecting the seat heater connector (A), remove the console assembly (B).

Fastener Locations

1 ▶ : Bolt, 2 6x1.25mm, 7~11 Nm (70~110 kgf-cm, 5~8 lbf-ft)	2 ▶ : Screw, 2 6x1.25mm, 7~11 Nm (70~110 kgf-cm, 5~8 lbf-ft)	○ : Nut, 2 6x1.25mm, 7~11 Nm (70~110 kgf-cm, 5~8 lbf-ft)
---	--	--



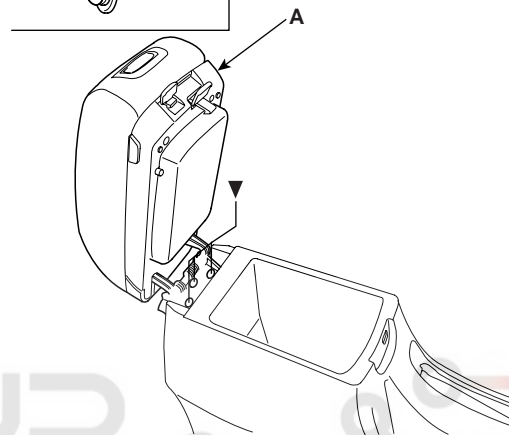
ESQE200C

4. Installation is the reverse of removal.

ARMREST REPLACEMENT

1. Remove the end cover.
2. After loosening the armrest mounting screw, remove the armrest (A).
3. Installation is the reverse of removal.

▶ : Screw locations, 3



ESQE200D

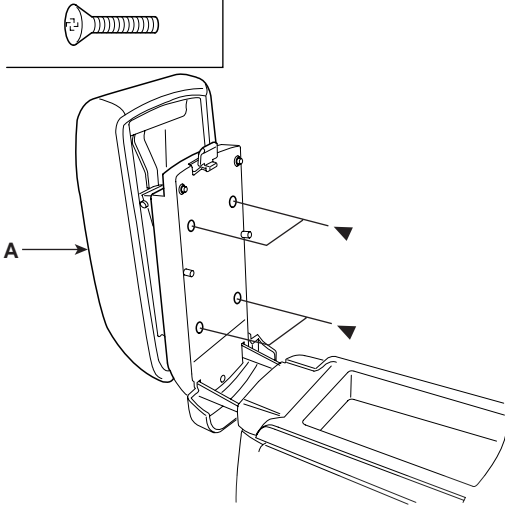
BD -60

BODY (INTERIOR AND EXTERIOR)

POP-UP UNIT REPLACEMENT

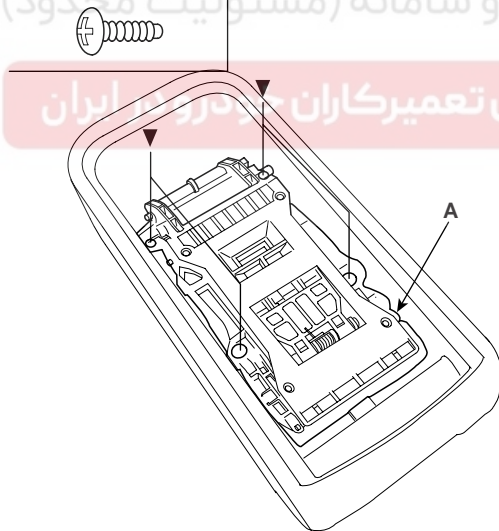
1. Loosen the armrest cover (A) mounting screws.

► : Screw locations, 4



2. Remove the pop-up unit (A).

► : Screw locations, 4



3. Installation is the reverse of removal.

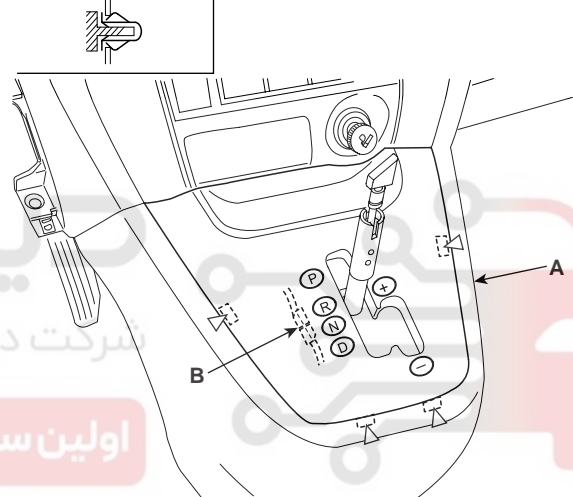
FRONT CONSOLE REPLACEMENT

**NOTE**

- When prying with a flat-tip screwdriver, wrap it with protective tape, and apply protective tape around the related parts, to prevent damage.
- Put on gloves to protect your hands.
- Take care not to scratch the trim and other parts.

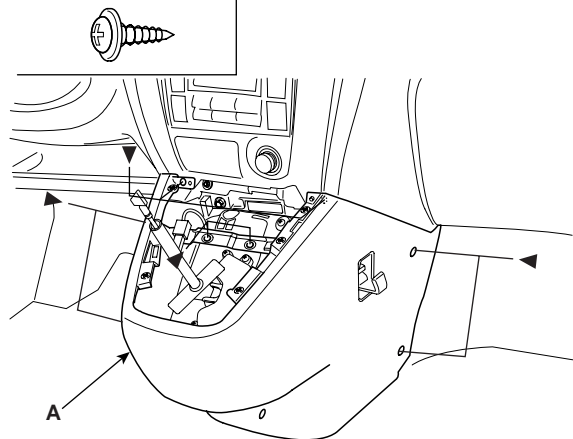
1. Remove the crash pad center lower cover (See page BD- 66).
2. Remove the front console upper cover (A) and disconnect the connector (B).

▷ : Clip locations, 4



3. After loosening the mounting screw, remove the front console (A).

► : Screw locations, 8



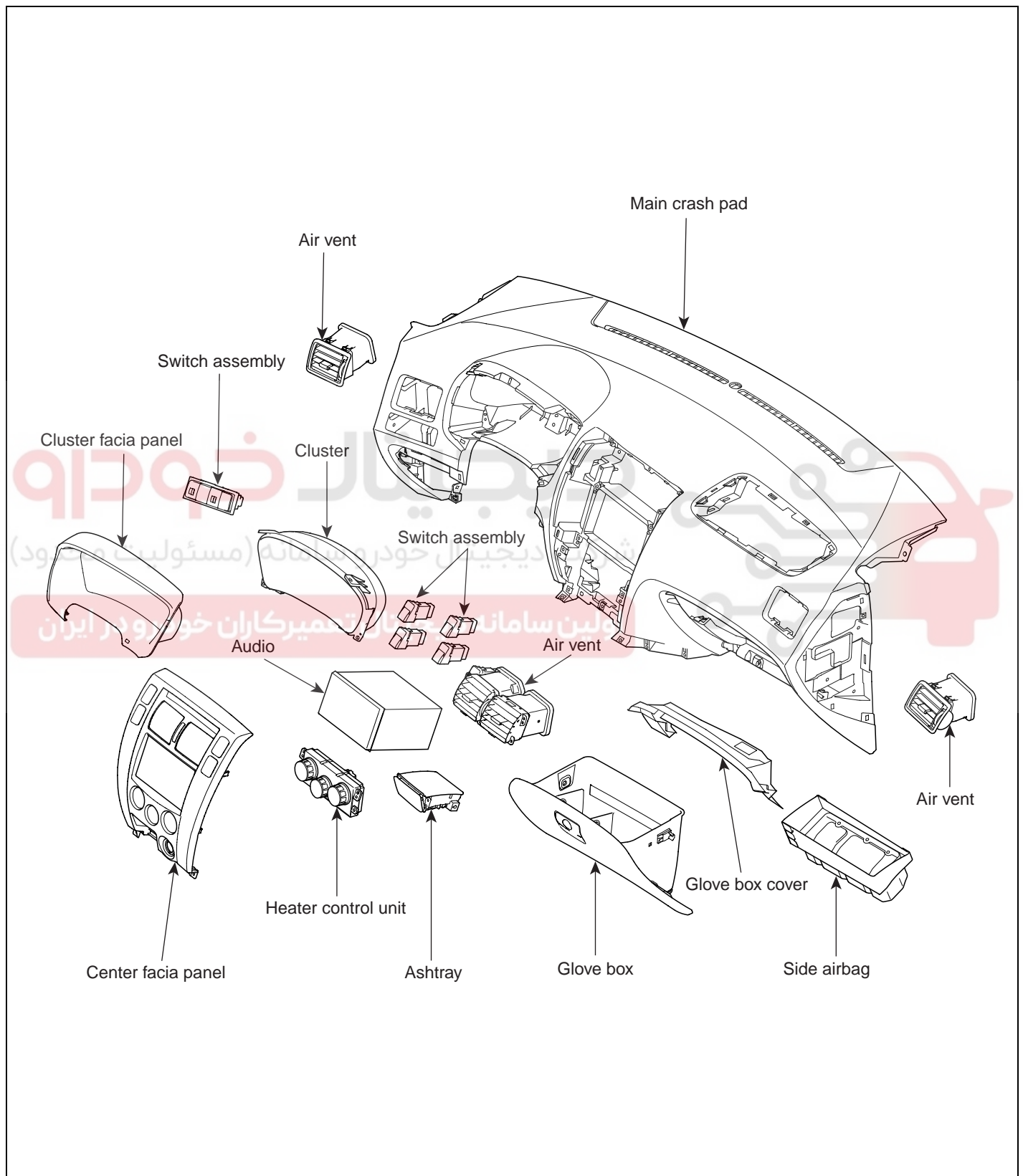
4. Installation is the reverse of removal.

INTERIOR

BD -61

CRASH PAD

COMPONENTS EFE4DCDD



ESQE210A

BD -62

BODY (INTERIOR AND EXTERIOR)

REPLACEMENT

EAB4DB63

CLUSTER FACIA PANEL REPLACEMENT

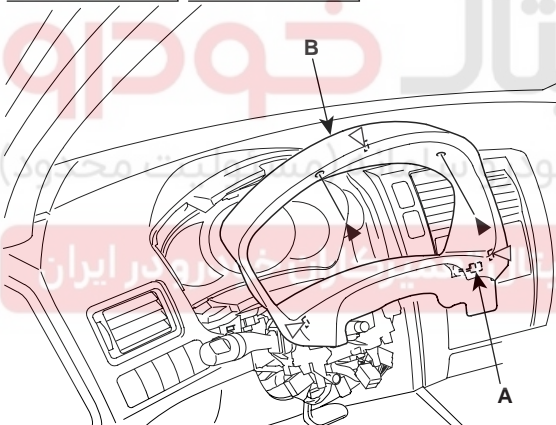
**NOTE**

- When prying with a screwdriver, wrap it with protective tape, and apply protective tape around the related parts, to prevent damage.
- Take care not to scratch the crash pad and related parts.

1. Tilt the steering column down.
2. Remove the screws, and detach the clips.
3. After disconnecting the trip sensor connector (A), remove the cluster facia panel (B).

Fastener Locations

▶ : Screw, 2    ▷ : Clip, 3



ESQE220A

4. Installation is the reverse or removal.

**NOTE**

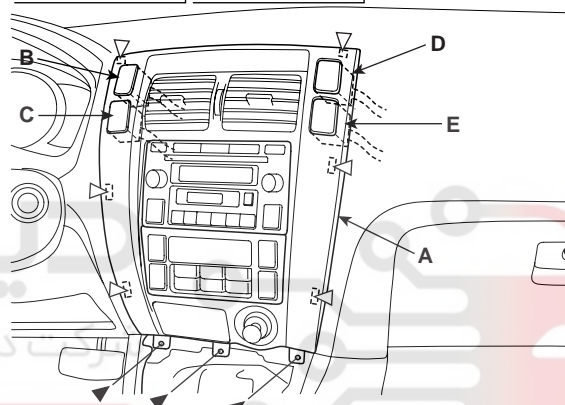
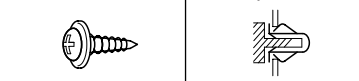
- Make sure the connector is plugged in properly.
- Replace any damage clips.

CENTER FACIA PANEL REPLACEMENT

1. Remove the front console cover (See page BD- 59).
2. Remove the screw, and detach the clips.
3. Disconnect the following items to remove the center facia panel (A).
  - Hazard warning lamp connector (B).
  - Rear defroster connector (C).
  - Windshield deicer conector (D).
  - Front fog lamp connector (E).

Fastener Locations

▶ : Screw, 3    ▷ : Clip, 6



ESQE220B

4. Installation is the reverse of removal.

**NOTE**

Make sure the connector is plugged in properly.

**INTERIOR**

**BD -63**

**LOWER CRASH PAD PANEL REPLACEMENT**

**NOTE**

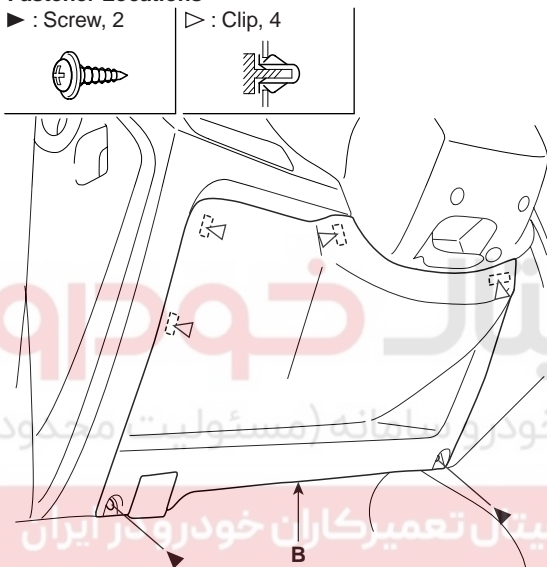
Take care not to scratch the crashpad and related parts.

1. Disconnect the hood release cable from the hood release handle (See page BD- 10).
2. Remove the screws, bolts and clips.
3. Disconnect the self-diagnosis connector (A), then remove the lower crash pad panel (B).

**Fastener Locations**

▶ : Screw, 2

▷ : Clip, 4



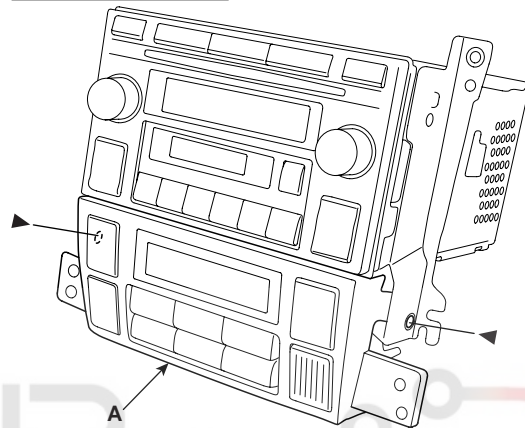
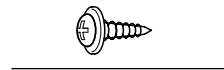
ESQE220C

4. Installation is the reverse of removal.

**HEATER CONTROL UNIT REPLACEMENT**

1. Remove the audio assembly (See page BD- 64).
2. Loosen the screws.
3. Remove the heater control unit (A).

▶ : Screw locations, 2



ESQE220F

4. Installation is the reverse of removal.

**NOTE**

Make sure the connector is plugged in properly.



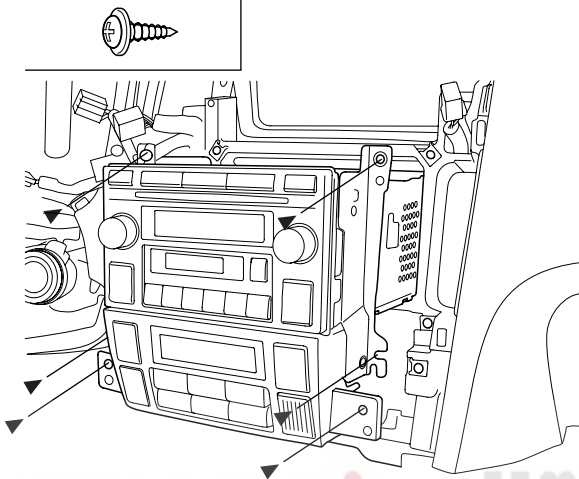
**BD -64**

**BODY (INTERIOR AND EXTERIOR)**

**AUDIO ASSEMBLY REPLACEMENT**

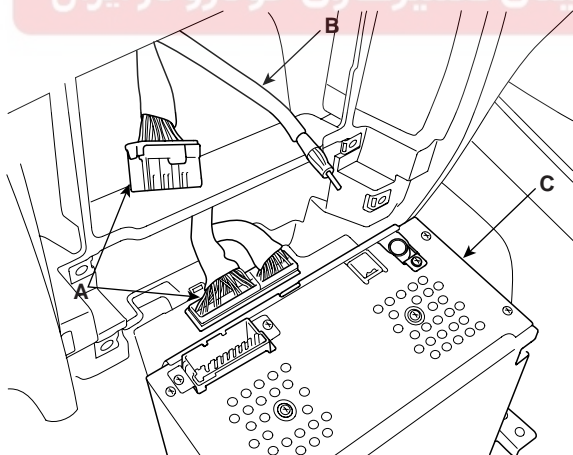
1. Remove the center facia panel (See page BD- 62).
2. Loosen the screws.

► : Screw locations, 6



ESQE220H

3. Disconnect the audio connector (A) and antenna cable (B), then remove the audio assembly (C).



ESQE220I

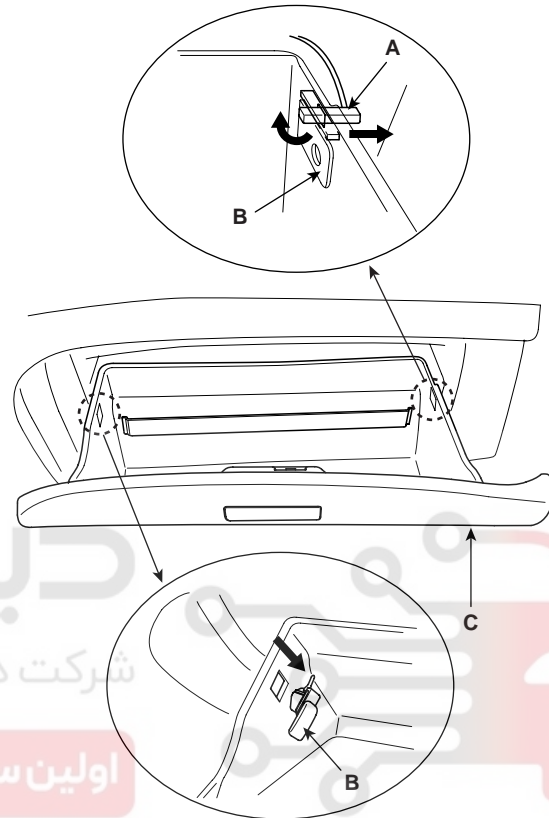
4. Installation is the reverse of removal.

**NOTE**

Make sure the connector is plugged in properly.

**GLOVE BOX REPLACEMENT**

1. Disconnect the air damper wire (A) and guide (B) from the glove box (C).



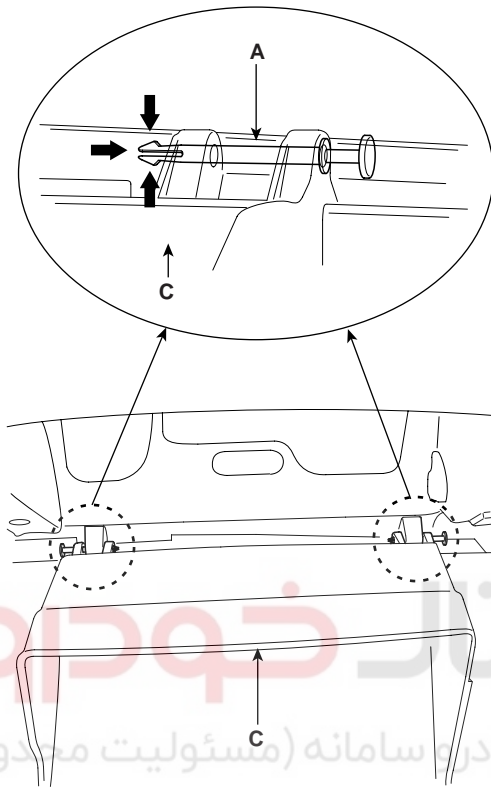
ESKE009Q



INTERIOR

BD -65

2. Disconnect the pin (A), then remove the glove box (C).



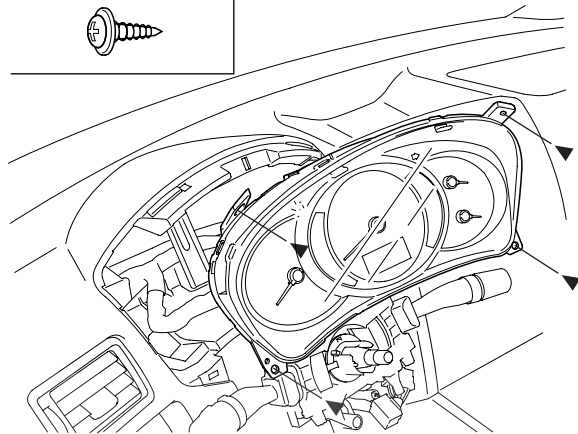
ESKE009R

3. Installation is the reverse of removal.

CLUSTER REPLACEMENT

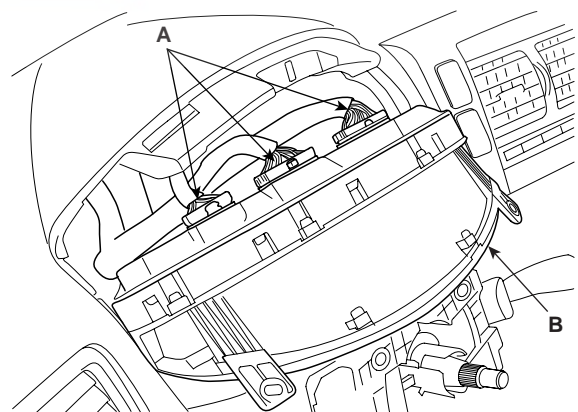
1. Remove the cluster facia panel (See page BD- 62).
2. Loosen the screws.

► : Screw locations, 4



ESQE220G

3. Disconnect the cluster connector (A), then remove the cluster (B).



ESQE220D

4. Installation is the reverse of removal.

**NOTE**

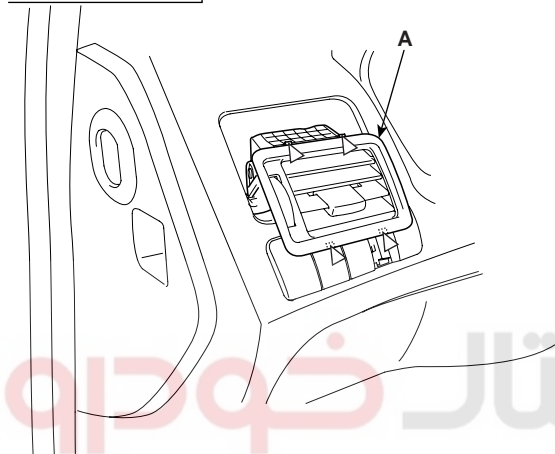
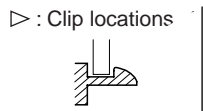
Make sure the connector is plugged in properly.

BD -66

BODY (INTERIOR AND EXTERIOR)

AIR VENT REPLACEMENT

1. Wrap a flat-tip screwdriver with protective tape, and apply protective tape around the related parts to prevent damage. Take care not to scratch the crash pad and related parts.
2. Remove the air vent (A) by detaching the clips.



3. Reinstall the hook portions of the vent first, then push the clip portions into place securely.

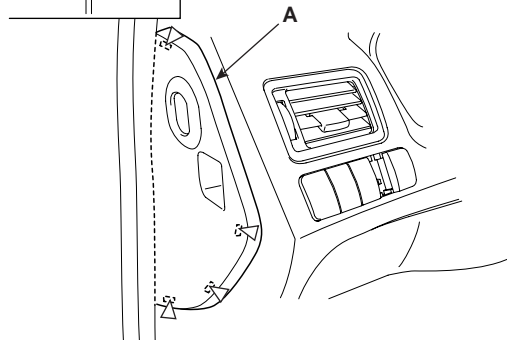
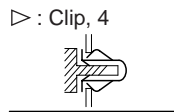
COVER REPLACEMENT

**NOTE**

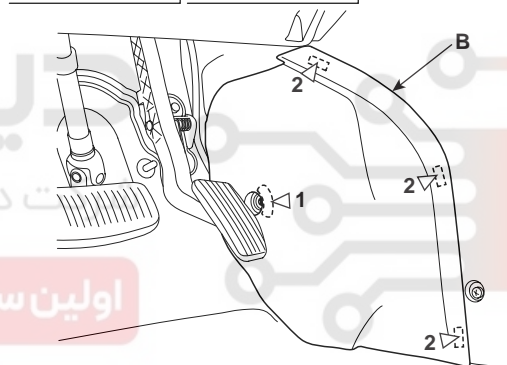
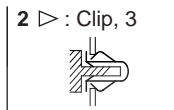
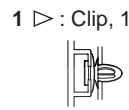
- When prying with a screwdriver, wrap it with protective tape, and apply protective tape around the related parts to prevent damage.
- Take care not to scratch the crash pad, body and other related parts.
- Put in gloves to protect your hands.

Remove the crash pad side cover (A), crash pad center under cover (B).

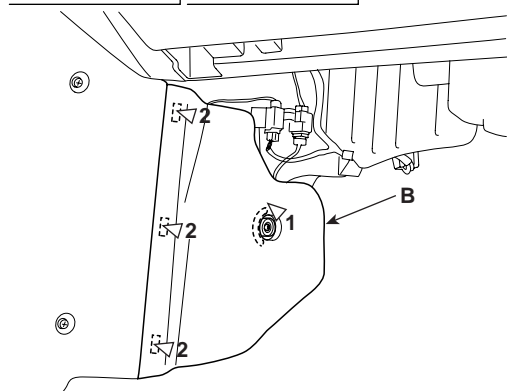
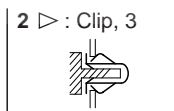
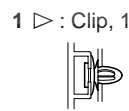
Crash pad side cover



Drive's center lower side cover



Passenger's center lower side cover



ESQE220M

## INTERIOR

BD -67

### CRASH PAD REMOVAL AND INSTALLATION

SRS components are located in this area. Review the SRS component locations, precautions, and procedures in the SRS section before performing repairs or service (see page RT- "Airbag").

#### NOTE

- *When prying with a screwdriver, wrap it with protective tape, and apply protective tape around the related parts to prevent damage.*
- *An assistant is helpful when removing and installing the crash pad.*
- *Take care not to scratch the crash pad, body and other related parts.*
- *Put in gloves to protect your hands.*

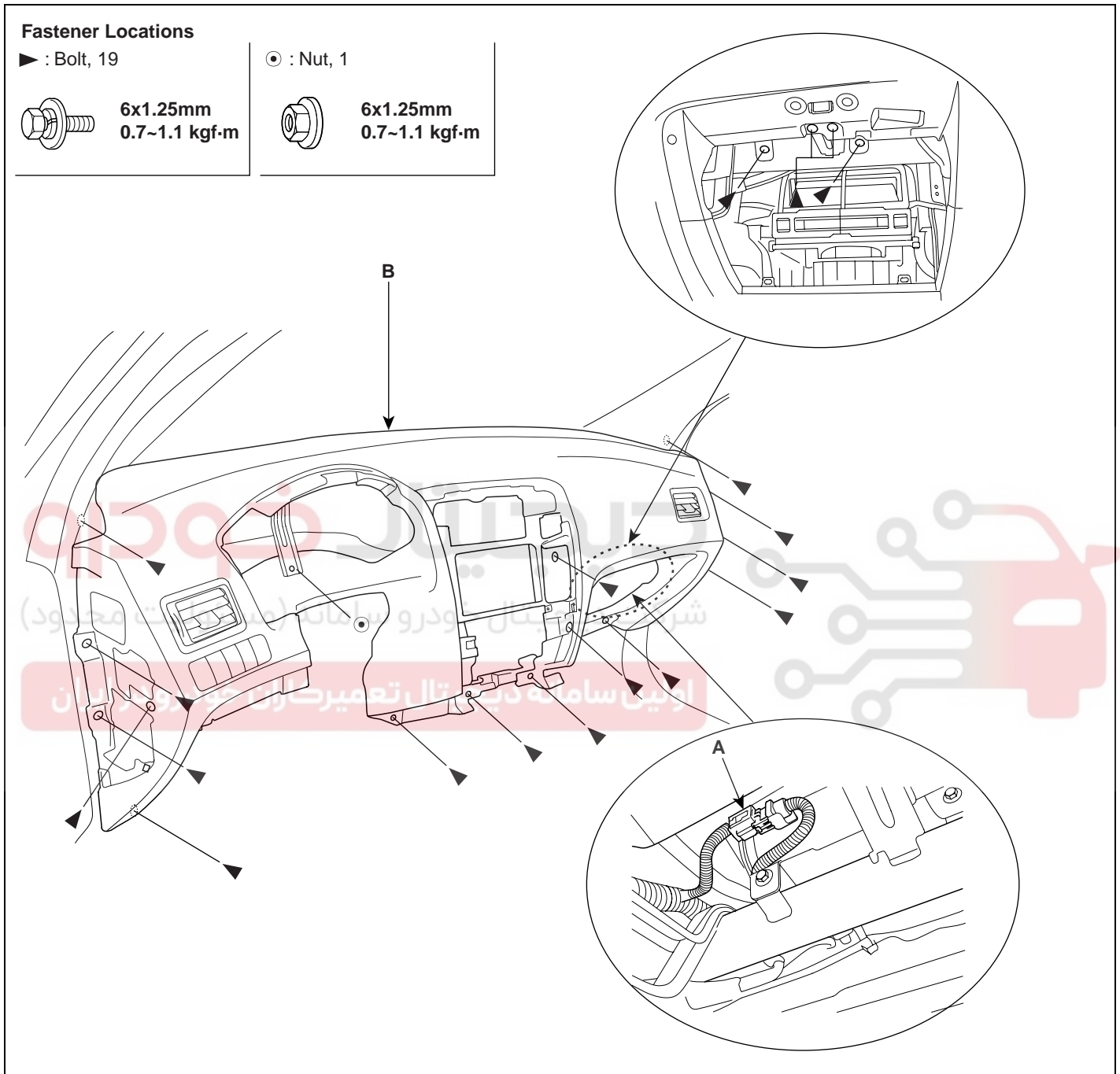
1. Make sure you have the anti-theft code for the radio, then write down the frequencies for the radio's preset buttons.
2. Disconnect the negative cable from the battery.
3. Remove the following items.
  - Front seat, both sides (See page BD- 84).
  - Front console (See page BD- 59).
  - Crash pad side trim, both sides (See page BD- 66).
  - Front pillar trim, both sides (See page BD- 69).
  - Clutster pacia panel (See page BD- 62).
  - Lower crash pad panel (See page BD- 63).
  - Heater control unit (See page BD- 63).
  - Clutster (See page BD- 65).
  - Audio (See page BD- 63).
  - Glove box (See page BD- 64).
  - Steering wheel (See page ST- "Steering wheel")



BD -68

BODY (INTERIOR AND EXTERIOR)

4. Disconnect the passenger's air bag connector (A).  
Loosen the bolts and nut, then remove the crash pad (B).



ESQE220T

5. Carefully remove the crash pad through the front door opening.
6. Installation is the reverse of removal.

- Make sure the connectors are plugged in properly, and the antenna lead is connected properly.
- Enter the anti-theft code for the radio, then enter the customer's radio station presets.

**NOTE**

- Make sure the crash pad fits onto the guide pins correctly.
- Before tightening the bolts, make sure the crash pad wire harnesses are not pinched.

INTERIOR

BD -69

INTERIOR TRIM

REPLACEMENT E7AF4FEF

FLOOR AND SIDE AREA

1. Remove the trims.

**NOTE**

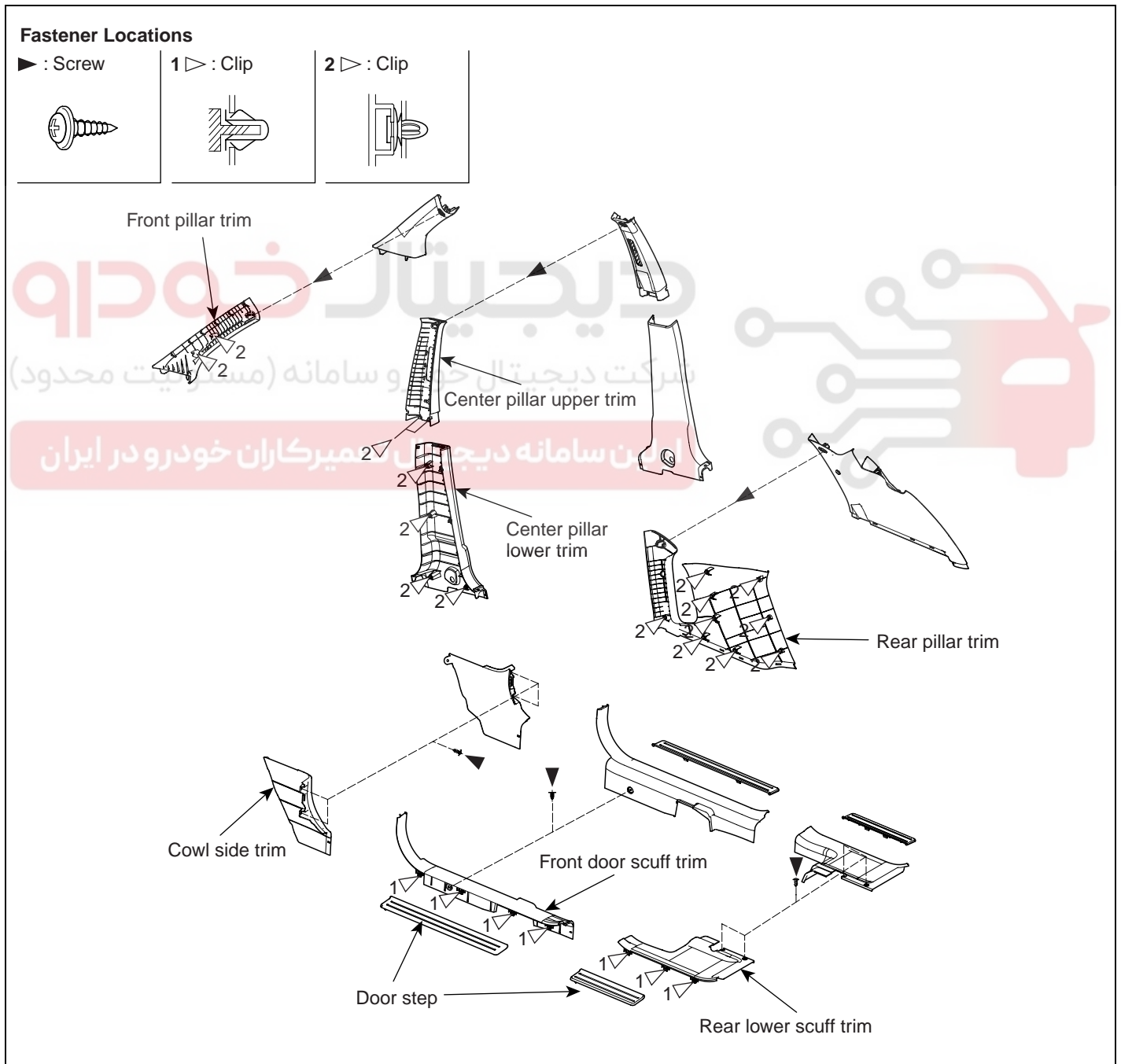
- Put on gloves to protect your hands.
- When prying with a flat-tip screwdriver, wrap it with protective tape to prevent damage.

- Take care not to bend or scratch the trim and panels.

2. Installation is the reverse of removal.

**NOTE**

- Replace any damage clips.
- Apply liquid thread lock to the front seat belt upper anchor bolt before installation.
- Before installing the anchor bolts, make sure there are no twists or kinks in the belts.



ESQE250A

BD -70

BODY (INTERIOR AND EXTERIOR)

TRUNK AREA

1. Remove the trims.

**NOTE**

- Put on gloves to protect your hands.
- When prying with a flat-tip screwdriver, wrap it protective tape to prevent damage.

- Take care not to bend or scratch the trim and panels.

2. Installation is the reverse of removal, and replace any damaged clips.

Fastener Locations

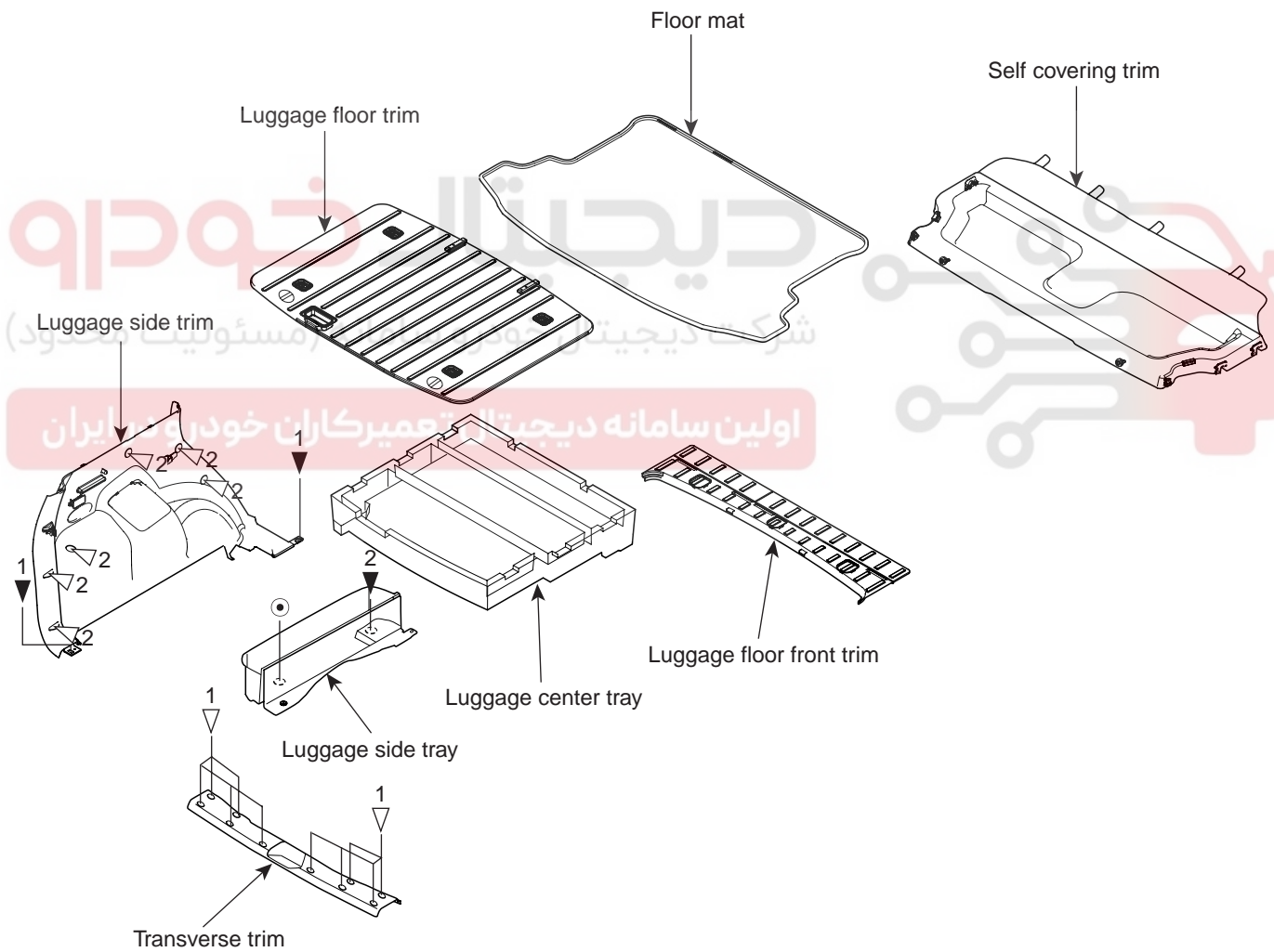
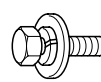
1 ▷ : Clip

2 ▷ : Clip

○ : Nut

1 ▶ : Screw, 2

2 ▶ : Bolt



ESQE250B



INTERIOR

BD -71

ROOF AREA

1. Remove the trims.

**NOTE**

- Put on gloves to protect your hands.
- When prying with a flat-tip screwdriver, wrap it protective tape to prevent damage.
- Take care not to bend or scratch the trim and panels.

2. Installation is the reverse of removal.

**NOTE**

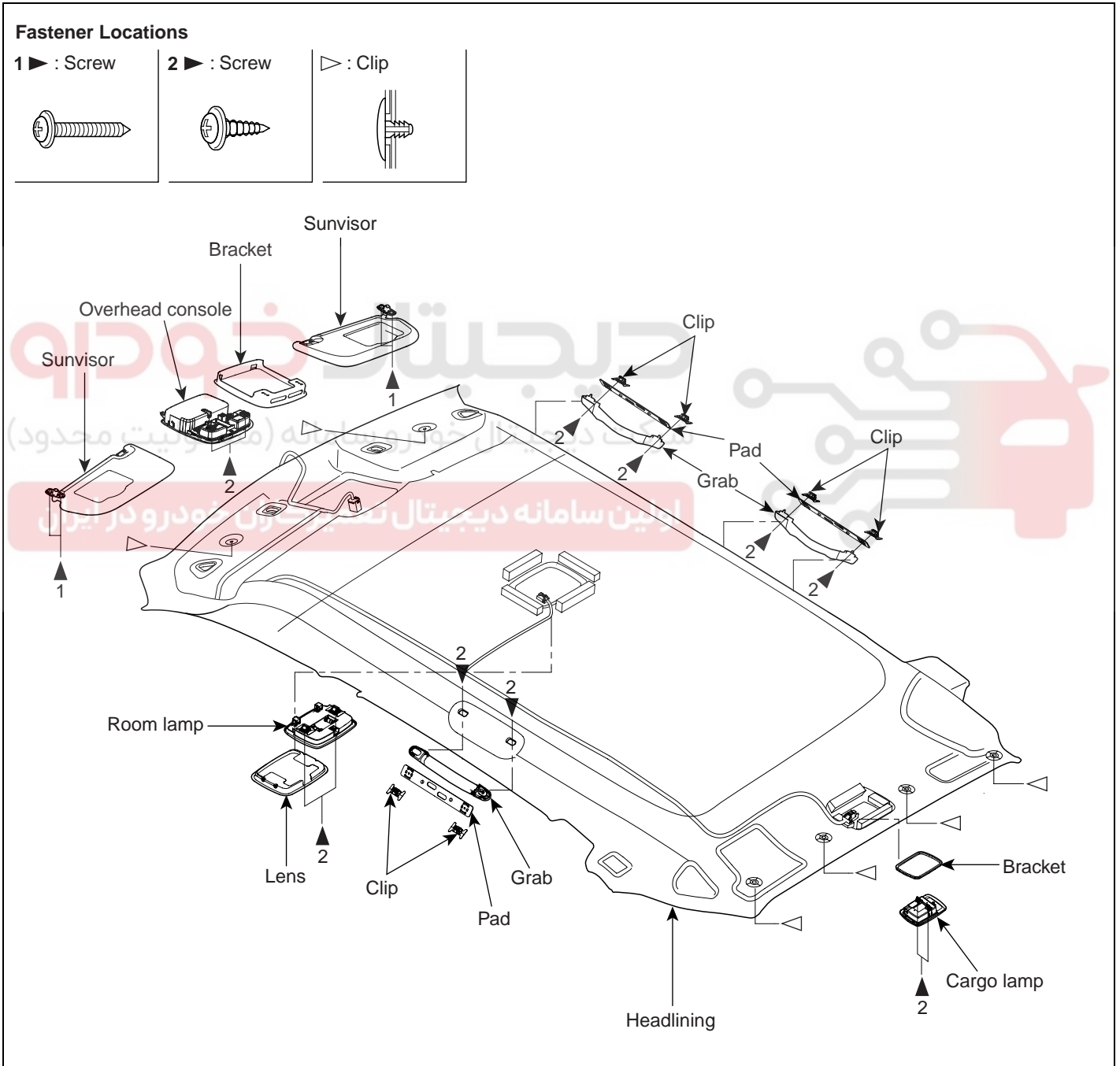
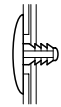
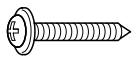
- Replace any damage clips.
- Apply liquid thread lock to the front seat belt upper anchor bolt before installation.
- Before installing the anchor bolts, make sure there are not twists or kinks in the belts.

Fastener Locations

1 ► : Screw

2 ► : Screw

▷ : Clip



ESQE250C

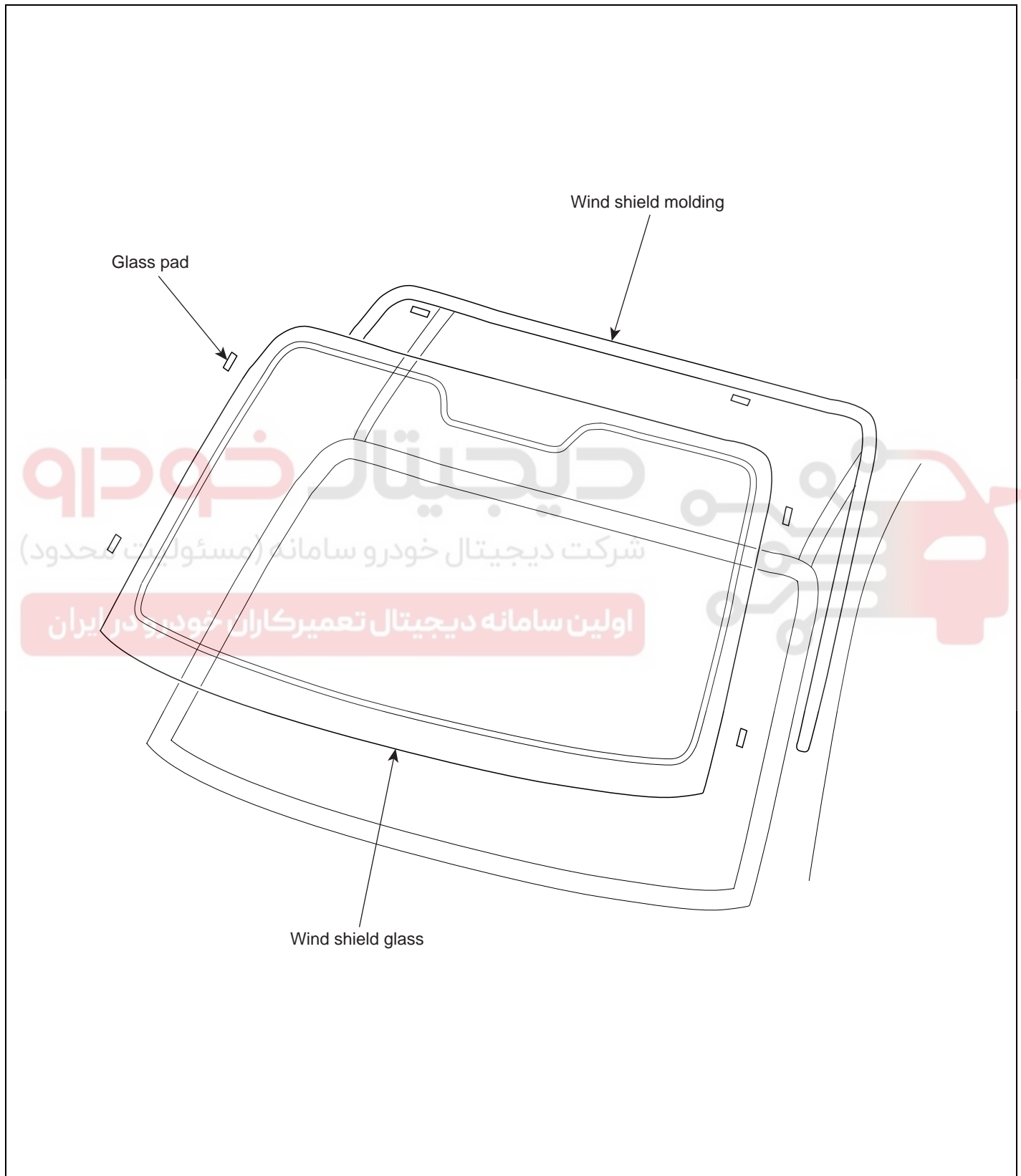


BD -72

BODY (INTERIOR AND EXTERIOR)

# WINDSHIELD GLASS

COMPONENTS EBCBE6EF



ESQE300A

INTERIOR

BD -73

REPLACEMENT EE4B248C

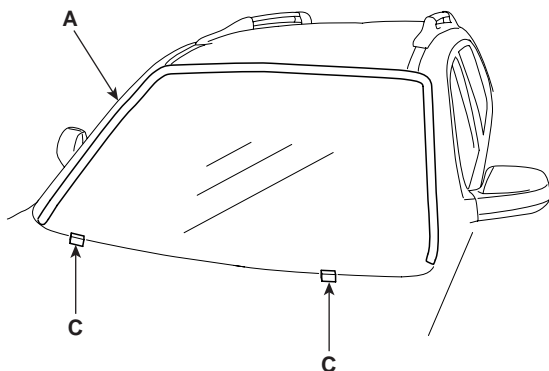
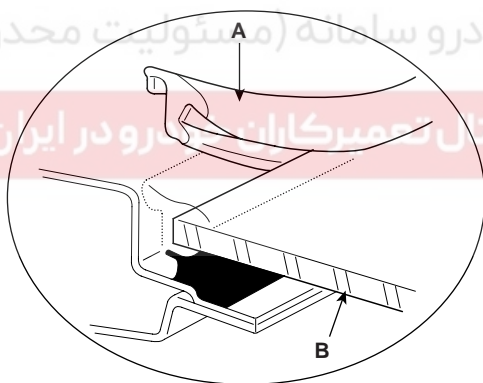
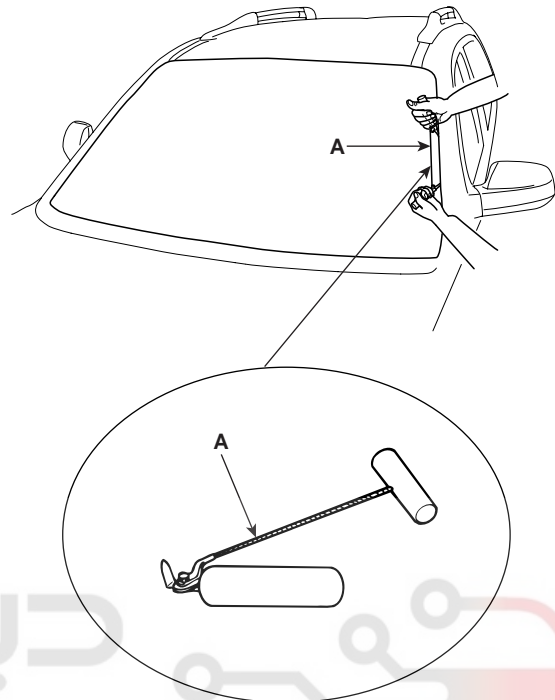
REMOVAL

**NOTE**

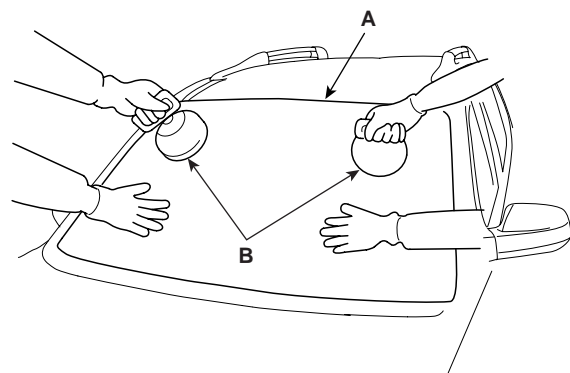
- Put on gloves to protect your hands.
- Use seat covers to avoid damaging any surfaces.

1. Remove the following items:
  - Outside rear view mirror (See page BD- 57).
  - Sunvisors and holders, both sides, overhead console, Grab handles, both sides (See page BD- 71).
  - Front pillar trim, both sides (see page BD- 69).
  - Windshield wiper arms and cowl cover (See page BE- "Windshield wiper").
2. Remove the molding (A) from the edge of the windshield (B). If necessary, cut the molding with a utility knife.
3. Remove the spacer (C).

5. Cut out the sealant using the sealant cutting tool [A(09861-31100)].



6. Remove the windshield (A) carefully using the glass holder [B(09861-31100)].



ESQE300C

KSQE300G

ESQE300H

4. Pull down the front portion of the headliner. Take care not to bend the headliner excessively, or you may crease or break it.

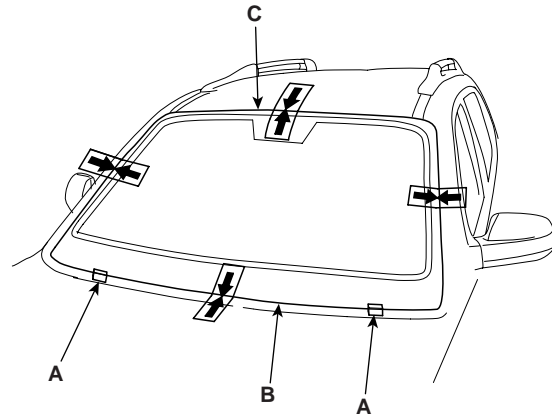
BD -74

BODY (INTERIOR AND EXTERIOR)

INSTALLTION

1. With a knife, scrape the old adhesive smooth to a thickness of about 2mm (0.08 in.) on the bonding surface around the entire windshield opening flange:
  - Do not scrape down to the painted surface of the body; damaged paint will interfere with proper bonding.
  - Remove the rubber dam and fasteners from the body.
  - Mask off surrounding surfaces before painting.
2. Clean the body bonding surface with a sponge dampened in alcohol. After cleaning, keep oil, grease and water from getting on the clean surface.
3. Apply the glass primer (A) to the side of the windshield glass edge and stick the both-sided adhesive tape (B) on the inside of molding (C).
4. When attaching the molding, make it in line (D) with the windshield glass and attach the windshield glass pad (E) to the designated place.

6. Remove the windshield.

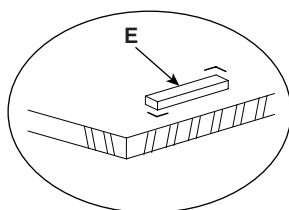
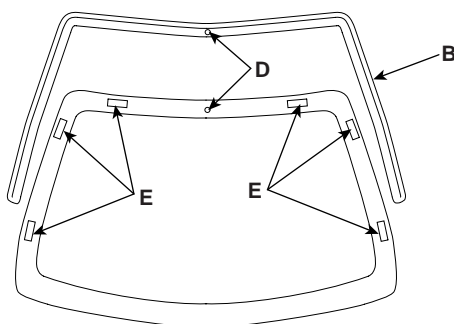
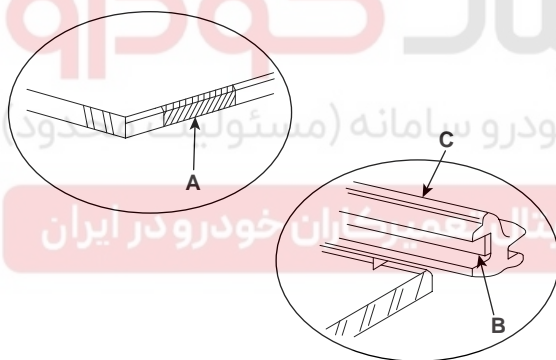


KSQE300N

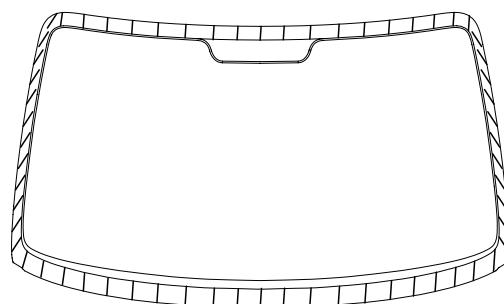
7. Apply a light coat of glass primer to the outside of the fasteners.

**NOTE**

- Never touch the primed surface with your hand. If you do, the adhesive may not bond to the glass properly, causing a leak after the windshield glass is installed.
- Do not apply body primer to the glass.
- Keep water, dust, and abrasive materials away from the primer.



/////// : Apply body primer here.



ESQE300M

ESQE433D

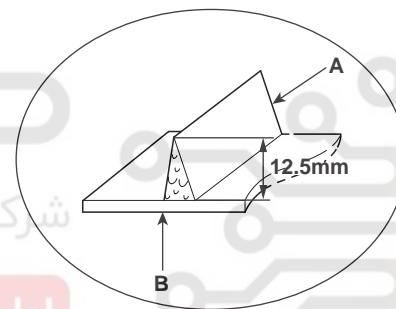
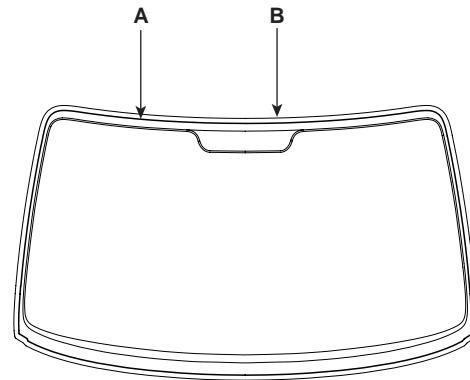
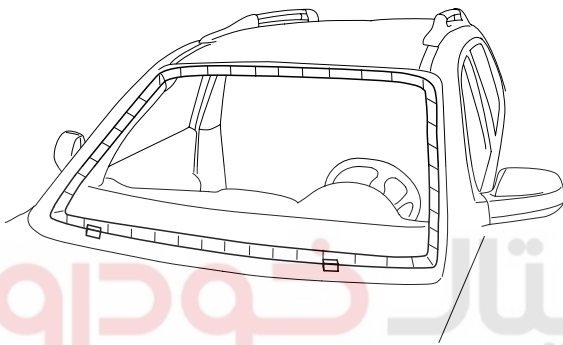
5. Install the spacer (A) install the windshield glass (B) temporarily with making sure to position them on the center, and then place the alignment mark (C).

## INTERIOR

BD -75

8. With a sponge, apply a light coat of body primer to the original adhesive remaining around the windshield opening flange. Let the body primer dry for at least 10 minutes:
- Do not apply glass primer to the body, and be careful not to mixup glass and body primer sponges.
  - Never touch the primed surfaces with your hands.
  - Mask off the dashboard before painting the flange.
9. Pack adhesive into the cartridge without air pockets to ensure continuous delivery. Put the cartridge in a caulking gun, and run a bead of sealant (A) around the edge of the windshield (B) between the fastener and molding as shown. Apply the adhesive within 30 minutes after applying the glass primer. Make a slightly thicker bead at each corner.

/////// : Apply body primer here.



شرکت دیجیتال خودرو سامانه (مسئولیت محدود)

اولین سامانه دیجیتال تعمیرکاران خودرو در ایران

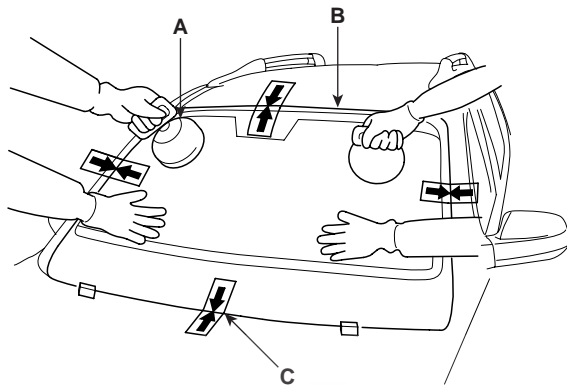
ESQE300R

ESQE300W

## BD -76

## BODY (INTERIOR AND EXTERIOR)

10. Use glass holder (A) to hold the windshield over the opening, align it with the alignment marks (B) made in step 15, and set it down on the adhesive. Lightly push on the windshield until its edges are fully seated on the adhesive all the way around. Do not open or close the doors until the adhesive is dry.



دیجیتال خودرو  
KSQE300Y

11. Scrape or wipe the excess adhesive off with a putty knife or towel. To remove adhesive from a painted surface or the windshield, wipe with a soft shop towel dampened with alcohol.
12. Let the adhesive dry for at least one hour, then spray water over the windshield and check for leaks. Make leaking areas, and let the windshield dry, then seal with sealant:
- Let the vehicle stand for at least four hours after windshield installation. If the vehicle has to be used within the first four, it must be driven slowly.
  - Keep the windshield dry for the first hour after installation.
13. Reinstall all remaining removed parts. Install the rearview mirror after the adhesive has dried thoroughly. Advise the customer not to do the following things for two the three days:
- Slam the door with all the windows rolled up.
  - Twist the body excessively (such as when going in and out of driveways at an angle or driving over rough, uneven roads).



## INTERIOR

BD -77

## QUARTER GLASS

- Cut out the sealant using the sealant cutting tool [A(09801-311000)].

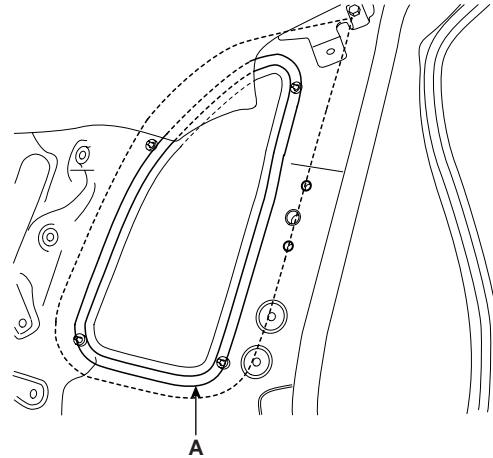
## REPLACEMENT E3409193

## REMOVAL

 NOTE

- Put on gloves to protect your hands.
- Take care not to body surface and other parts.

- Remove the following parts:
  - Rear seat assembly (See page BD- 92).
  - Rear door scuff trim (See page BD- 69).
  - Self covering trim (See page BD- 70).
  - Luggage side trim (See page BD- 70).
  - Rear seat belt upper anchor bolt (See page BD- 100).
  - Rear pillar trim (See page BD- 69).
- Loosen the quarter fixed glass (A) mounting nut.



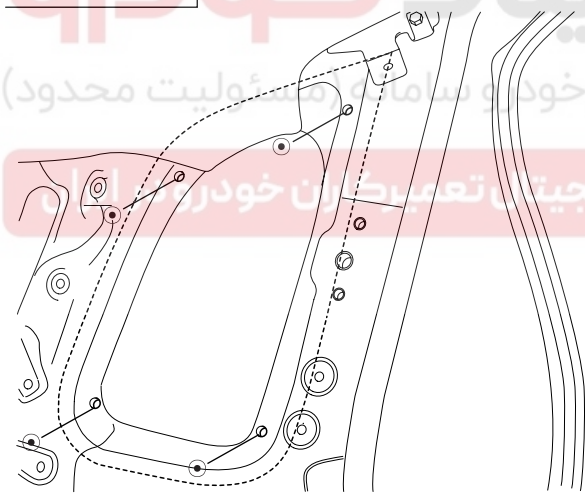
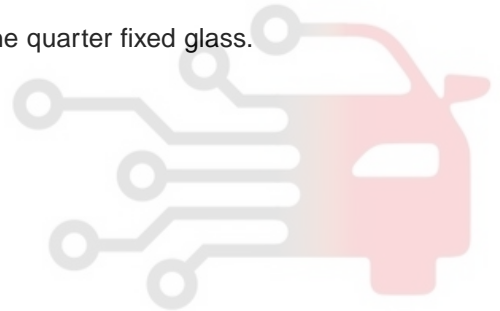
A

⊙ : Nut locations, 4



- Remove the quarter fixed glass.

KSQE340B



ESQE340A

**BD -78**

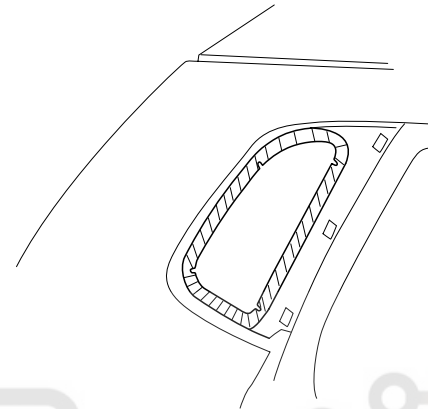
**BODY (INTERIOR AND EXTERIOR)**

**INSTALLATION**

1. With a putt knife, scrape the old adhesive smooth to a thickness of about 2mm (0.08 in.) on the bonding surface around the entire quarter fixed glass flange.
  - Do not scrape down to the painted surface of the body; damaged paint will interfere with proper bonding.
  - Mask off surrounding surfaces before painting.
  - Remove the fasteners from the body.
2. Clean the body bonding surface with a sponge dampened in alcohol. After cleaning, keep oil, grease and water from getting on the surface.
3. With a sponge, apply a light coat of glass primer along the edge of the quarter fixed glass as shown, then lightly wipe it off with gauze or cheesecloth:
  - Do not apply body primer to the quarter fixed glass, and do not get body and glass primer sponges mixed up.
  - Never touch the primed surfaces with your hands. If you do, the adhesive may not bond to the quarter fixed glass properly, causing a leak after the quarter fixed glass is installed.
  - Keep water, dust, and abrasive materials away from the primed surface.

4. With a sponge, apply a light coat of body primer to the original adhesive remaining around the flange. Let the body primer dry for at least 10 minutes.
  - Do not apply glass primer to the body, and be careful not to mix up glass and body primer sponges.
  - Never touch the primed surfaces with your hands.

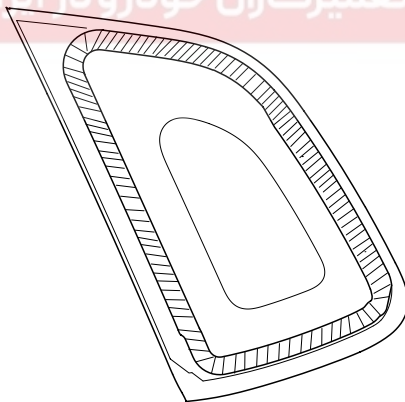
/////// : Apply body primer here.



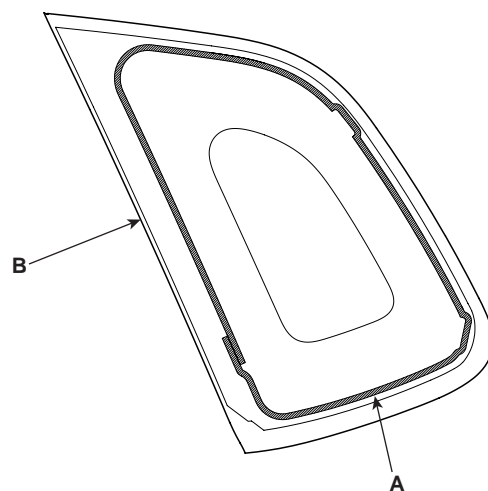
ESQE340C

5. Pack adhesive into the cartridge without air pockets to ensure continuous delivery. Put the cartridge in a caulking gun, and run a bead of sealant (A) around the edge of the quarter fixed glass (B) as shown. Apply the adhesive within 30 minutes after applying the glass primer. Make a slightly thicker bead at each corner.

/////// : Apply body primer here.



ESQE340D



ESQE340F

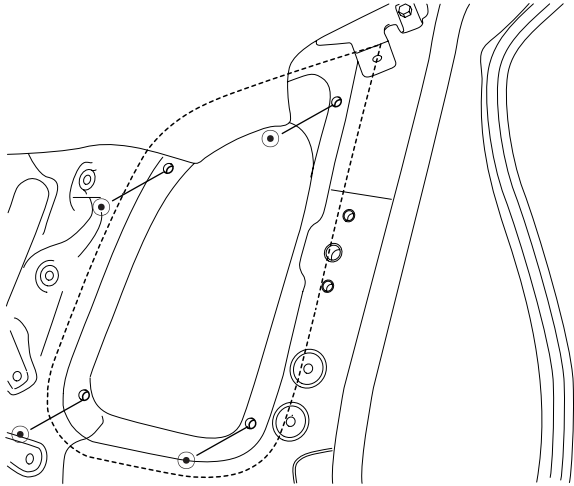


## INTERIOR

BD -79

6. Install the quarter fixed glass.

⊙ : Nut locations, 4



ESQE340A

7. Let the adhesive dry for at least one hour, then spray water over the rear window and check for leaks. Mark the leaking areas, let the rear window dry, then seal with sealant. Let the vehicle stand for at least four hours after rear window installation. If the vehicle has to be used within the first four hours, it must be driven slowly.

8. Reinstall all remaining removed parts.



BD -80

BODY (INTERIOR AND EXTERIOR)

# BUMPER

## FRONT BUMPER

- Put on gloves to protect your hands.
- Take care not to bend or scratch the cover and other parts.
- Replace any damage clips.

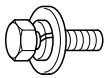
### REPLACEMENT E6F71997

**NOTE**

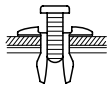
- When prying with a flat-tip screwdriver, wrap it with protective tape, and apply protective tape around the related parts, to prevent damage.

**Fastener Locations**

1 ▶ : Bolt



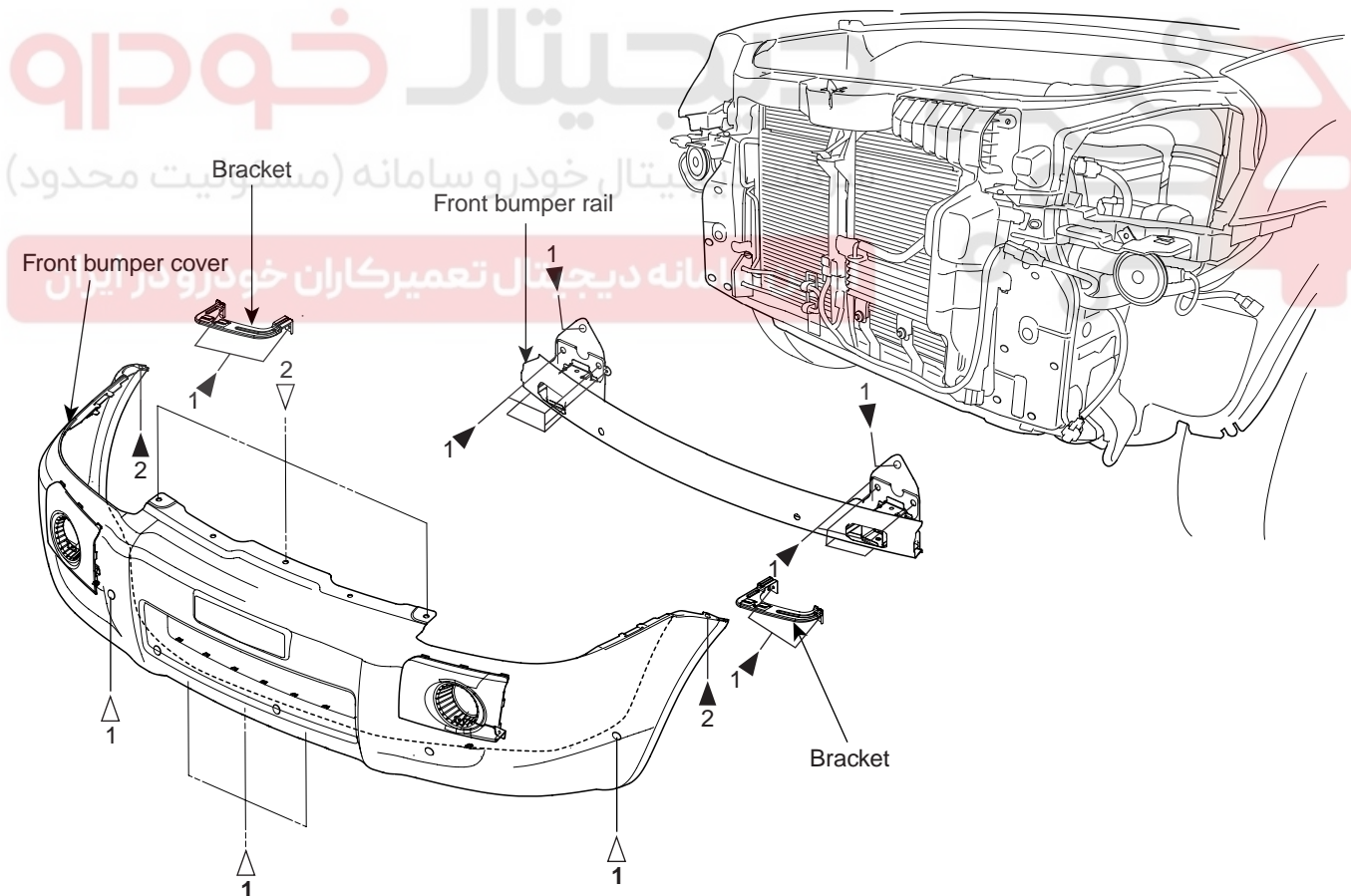
1 ▷ : Clip



2 ▷ : Clip



2 ▶ : Screw

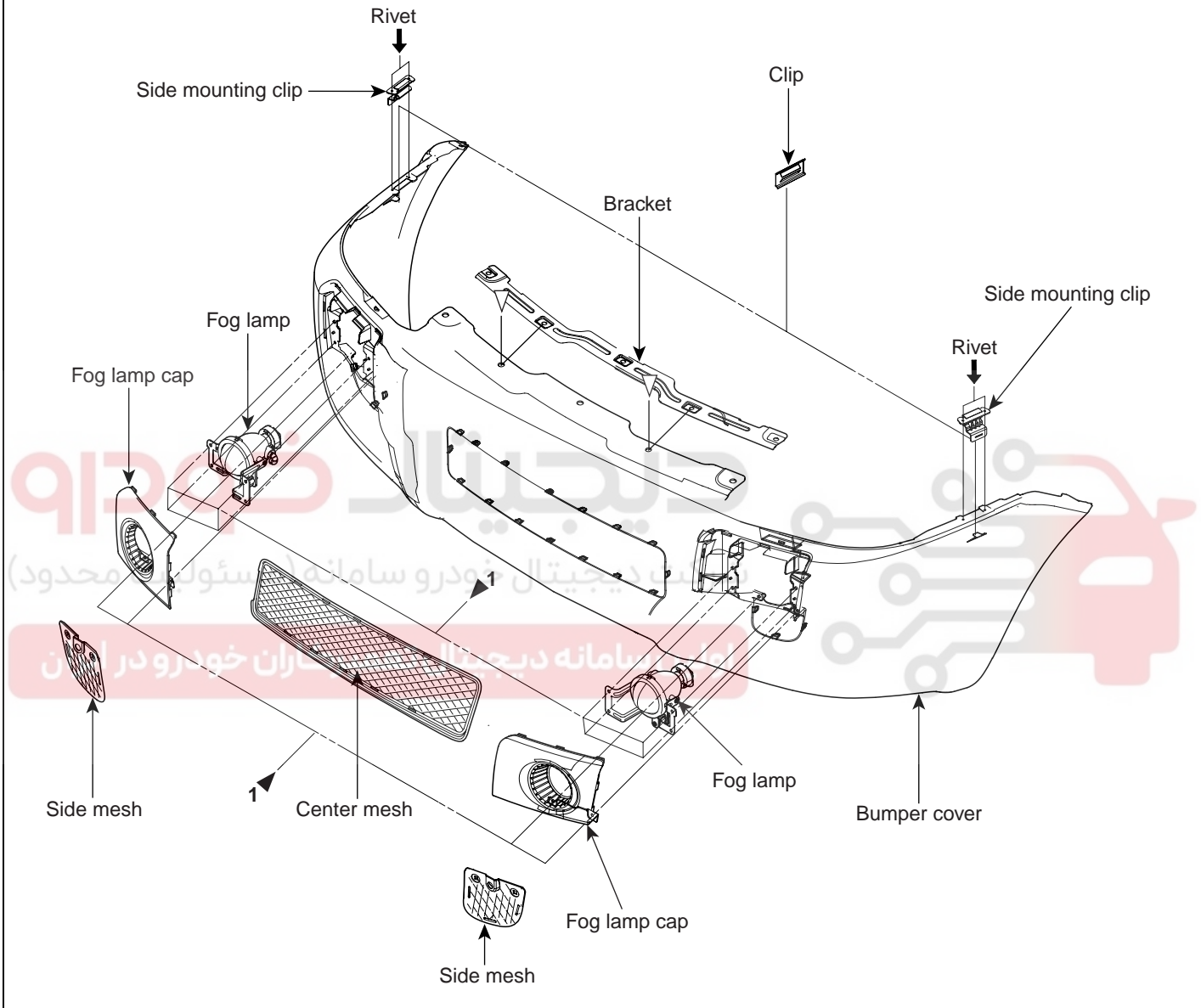
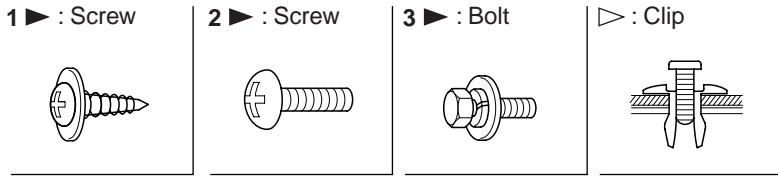


ESQE400A

BUMPER

BD -81

Fastener Locations



ESQE400B

BD -82

BODY (INTERIOR AND EXTERIOR)

REAR BUMPER

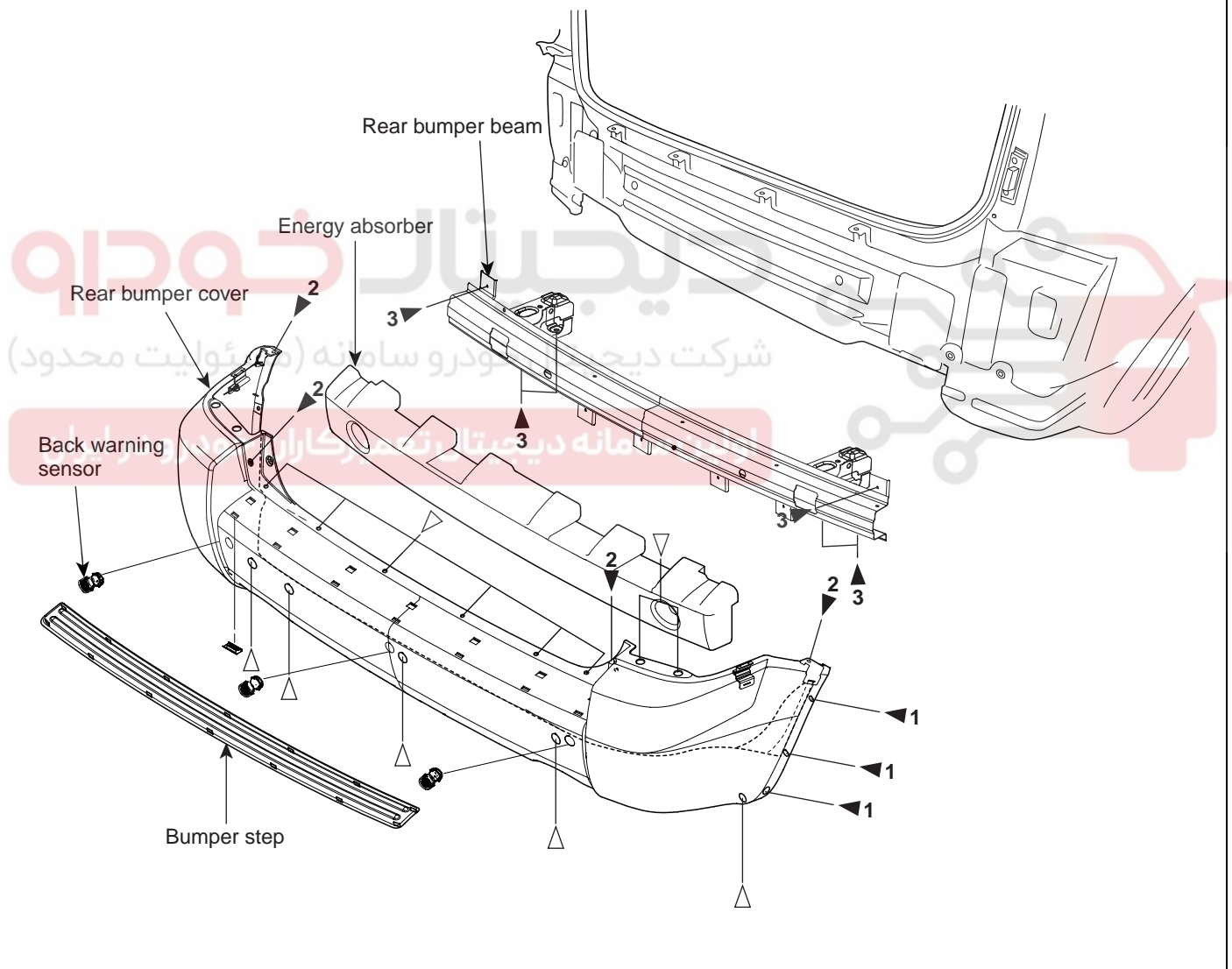
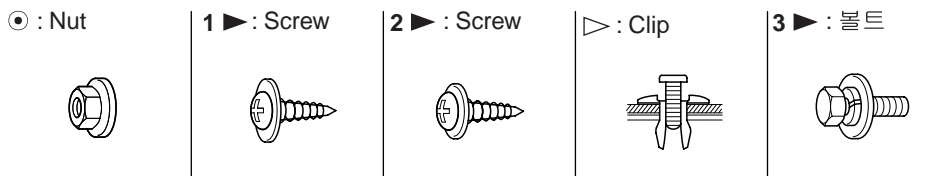
REPLACEMENT E0B0C705

**NOTE**

- After remove the rear combination lamp.

- When prying with a flat-tip screwdriver, wrap it with protective tape, and apply protective tape around the related parts, to prevent damage.
- Put on gloves to protect your hands.
- Take care not to bend or scratch the cover and other parts.
- Replace any damage clips.

Fastener Locations



ESQE410A

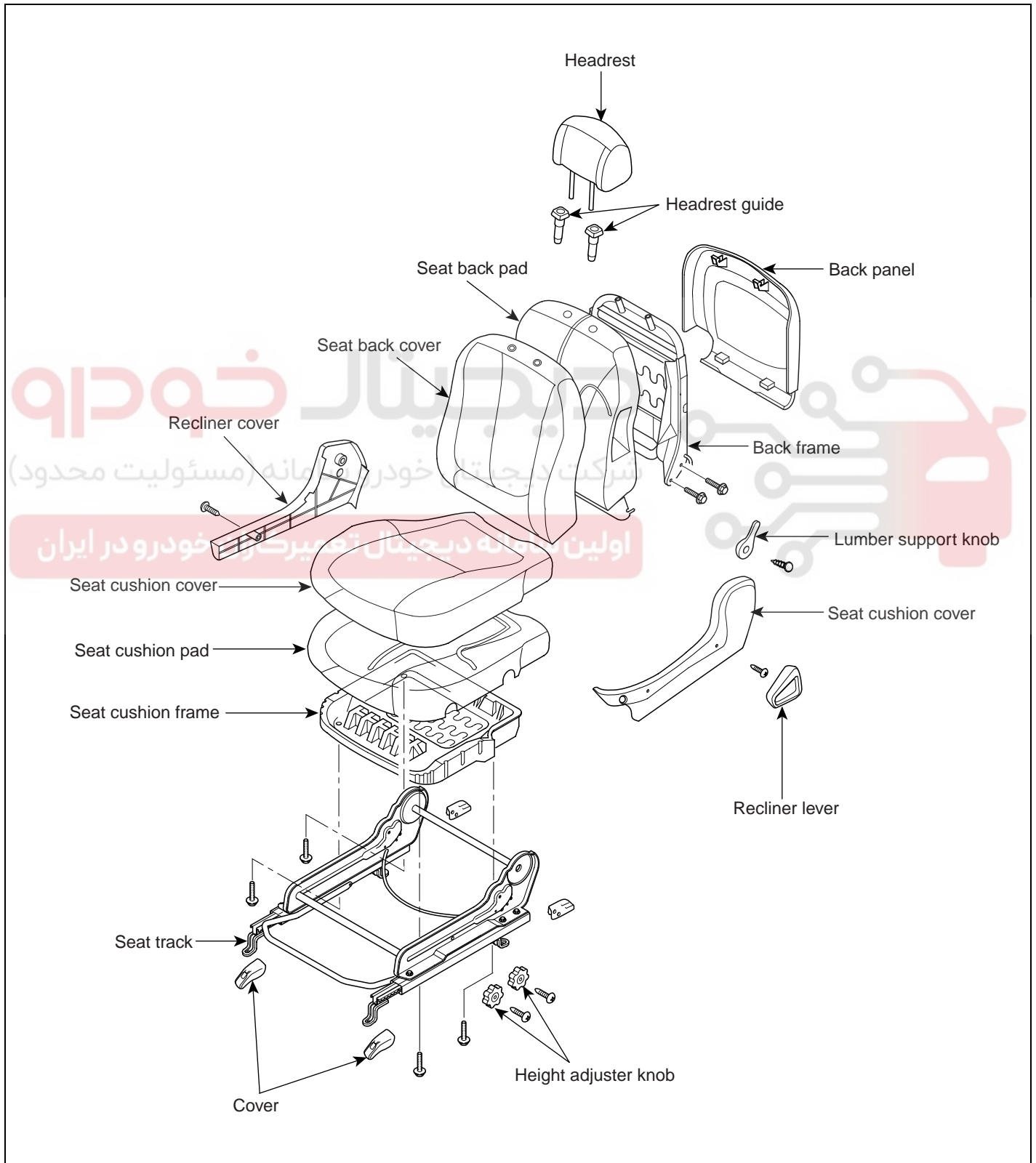
SEAT

BD -83

SEAT

FRONT SEAT

COMPONENTS ED21F4A0



ESQE500A

BD -84

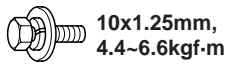
BODY (INTERIOR AND EXTERIOR)

SEAT ASSEMBLY REPLACEMENT E1BEDBAA

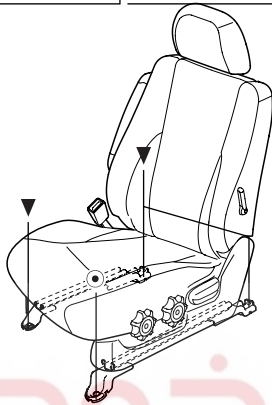
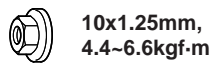
1. Remove the seat assembly mounting cover (A).
2. After loosening the seat assembly mounting bolt and nut, remove the seat assembly (B).

Fastener Locations

► : Bolt, 3



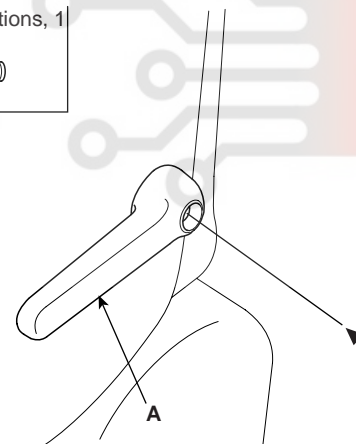
● : Nut, 1



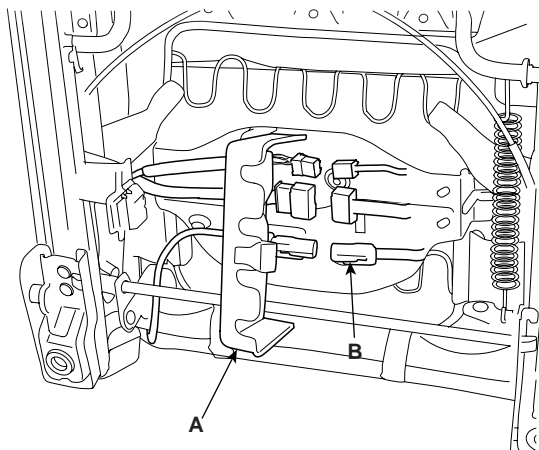
ESQE500B

3. Open the connector box (A).
4. Disconnect the connector (B), and remove the seat assembly.

► : Screw locations, 1



ESQE199A



KSQE500K

5. Installation is the reverse of removal.

**CAUTION**

SEAT MOUNTING BOLT INSTALLATION PROCEDURE.

- Set the seat into the most rearward. Check each slide for lock, and then tighten the front mounting bolt temporarily.
- Set the seat into the most forward. Check each slide for lock, and then tighten the rear mounting bolt completely.
- Set the seat into the most rearward. Check the front mounting bolt completely.
- Check that the seat operates to and fro smoothly and all the locking portion locks properly.

LUMBAR SUPPORT LEVER REPLACEMENT

1. Loosen the lumbar support lever mounting screw, remove the lumbar support lever (A).
2. Installation is the reverse of removal.



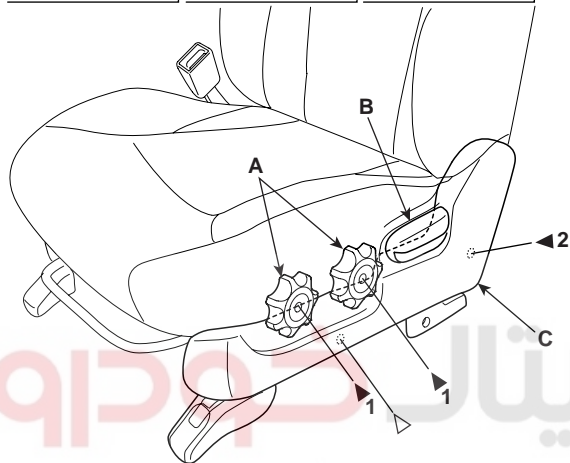
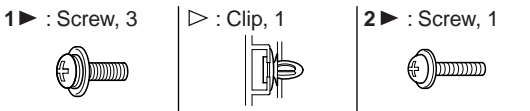
**SEAT**

**BD -85**

**RECLINER COVER, KNOB AND HEIGHT KNOB REPLACEMENT**

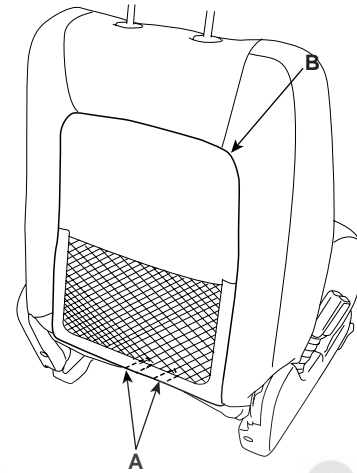
1. Remove the height adjuster knob (A) and recliner knob (B).
2. Loosen the recliner mounting screw and clip, then remove the recliner cover (C).

**Fastener Locations**



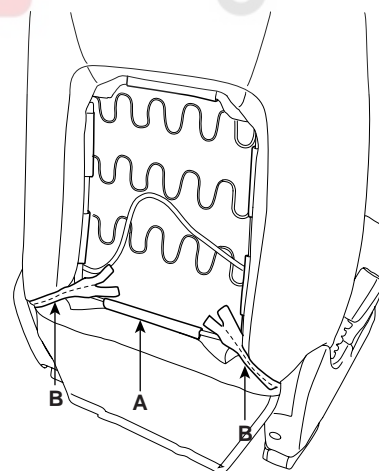
**SEAT BACK COVER REPLACEMENT**

1. Remove the lumbar support lever (See page BD- 84).
2. After disconnecting the scuff band (A), remove the seat back panel (B).



KSQE500G

3. Disconnect the protector (A) from the back frame, then open the zipper (B).



KSQE500H

دیجیتال خودرو  
تخصصی دیجیتال خودرو سامانه (مسئولیت محدود)  
ESQE500F

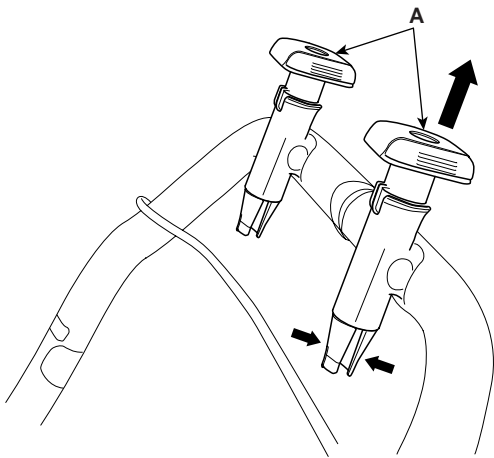
اولین سامانه دیجیتال تعمیرکاران خودرو در ایران



BD -86

BODY (INTERIOR AND EXTERIOR)

4. Remove the headrest and headrest guide(A).



KSSD722L

5. After removing the hogring clips (A) on the front of seat back and remove the seat back cover (B).

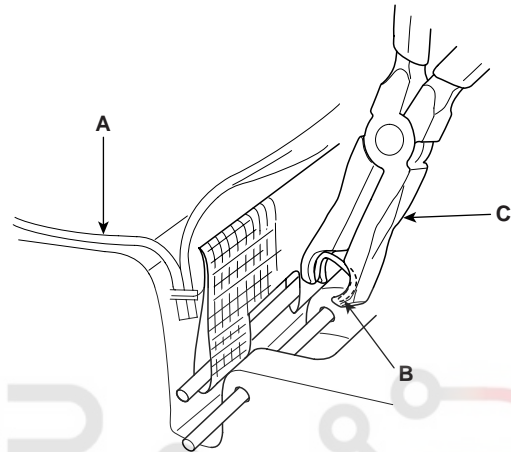
**CAUTION**

When removing the hogring clip, remove the hogring clip with pressing the wire not to separate the wire from the sponge.

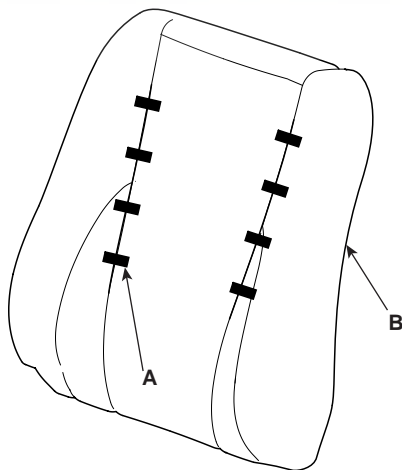
6. Installation is the reverse of removal.

**NOTE**

- To prevent wrinkles, make sure the material is stretched evenly over the cover (A) before securing the hogring clips (B).
- Replace the hogring clips with new ones using special tool (C).



ESSD750D



KSQE500J

**SEAT**

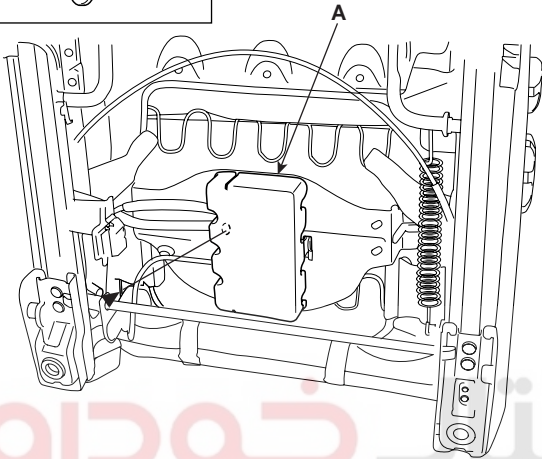
**BD -87**

**SEAT CUSHION COVER REPLACEMENT**

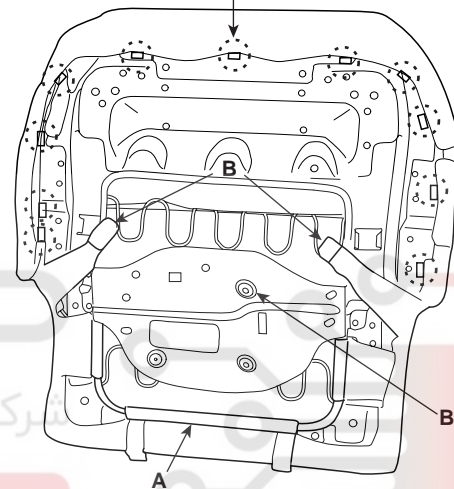
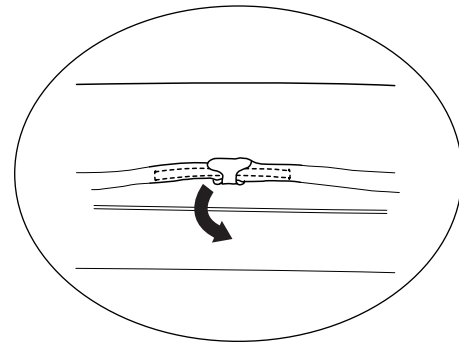
1. Remove the seat assembly (See page BD- 84).
2. Disconnect the scuff band.
3. Remove the connector box (A).

5. Disconnect the protector (A) from the cushion frame (B).

► : Screw locations, 1



ESQE500C



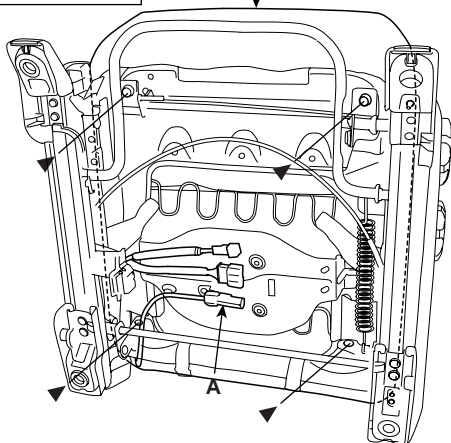
ESQE500M

4. Remove the connectors (A).After loosening the mounting bolts,remove the cushion (B)

► : Bolt locations, 4



B



ESQE500D

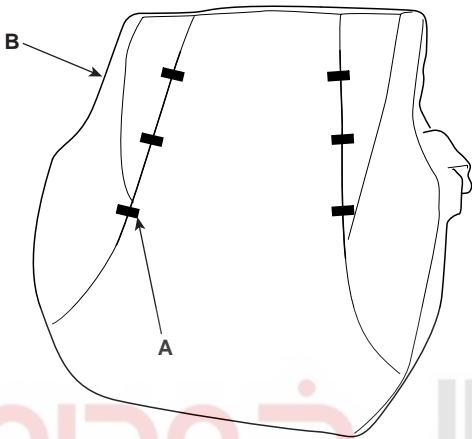
BD -88

BODY (INTERIOR AND EXTERIOR)

- After removing the hogring clips (A) on the front of seat back and remove the seat back cover (B).

**CAUTION**

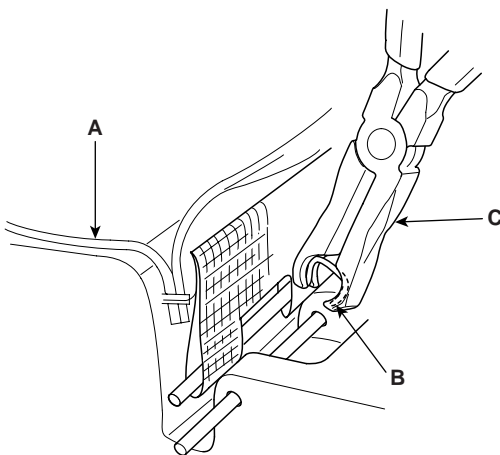
When removing the hogring clip, remove the hogring clip with pressing the wire not to separate the wire from the sponge



- Installation is the reverse of removal.

**NOTE**

- To prevent wrinkles, make sure the material is stretched evenly over the cover (A) before securing the hogring clips (B).
- Replace the hogring clips with new ones using special tool (C).



ESSD750D

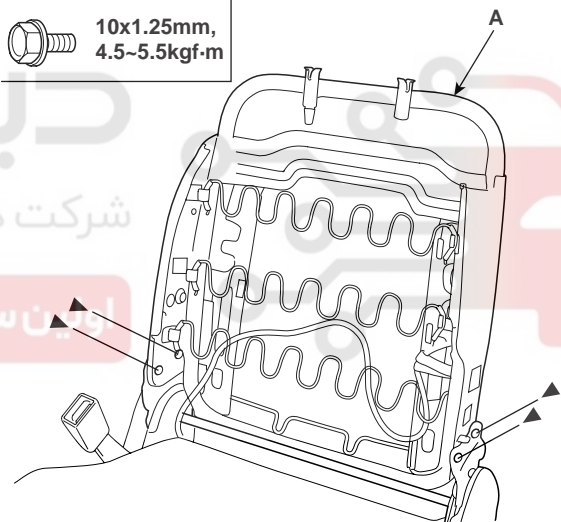
SEAT BACK FRAME REPLACEMENT

- Remove the lumbar support lever (See page BD- 84).
- Remove the seat back panel (See page BD- 87).
- Remove the headrest guide (See page BD- 86).
- Remove the seat back cover and pad from the frame.
- Loosen the mounting bolts, then remove the seat back frame(A).

**NOTE**

- Remove the side air bag for replacing side air bag installation seat.
- Before service, be fully aware of precautions and service procedure relevant to air bag (See page RT- "Airbag").

► : Bolt locations  
 10x1.25mm,  
 4.5~5.5kgf·m



ESQE5000

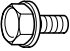
- Installation is the reverse of removal.

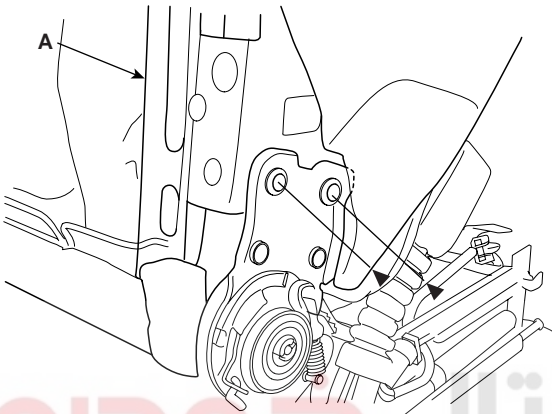
**SEAT**

**BD -89**

**SEAT TRACK REPLACEMENT**

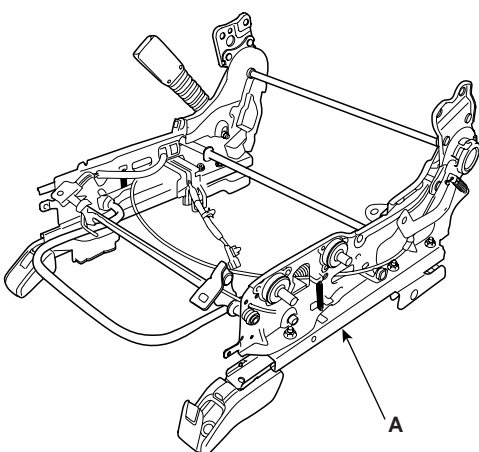
1. After removing the seat back panel, disconnect the protector and open the zipper.
2. Remove the seat back assembly (A).

► : Bolt locations, 4  
 10x1.25mm,  
 4.5~5.5kgf-m



ESQE500P

3. Remove the seat cushion (See page BD- 87).
4. Remove the recliner cover, recliner knob and height adjuster knob (See page BD- 85).
5. Remove the seat track (A)



KSQE500R

6. Installation is the reverse of removal.

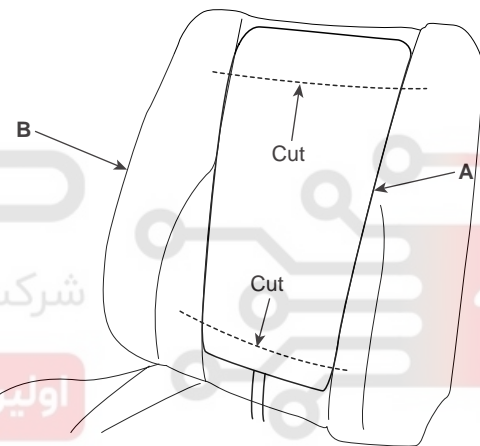
**SEAT BACK HEATER REPLACEMENT**

1. Remove the seat back cover (See page BD- 85).
2. Cut the heater (A) attached to the pad (B), as shown in the picture.
3. Take off the paper from the the backside of the heater assembly.
4. Attch the heater to the main part of pad

 **CAUTION**

**Be sure to match the heater with main apperance.**

5. Install the seat back cover.



ESQE500S

## BD -90

## BODY (INTERIOR AND EXTERIOR)

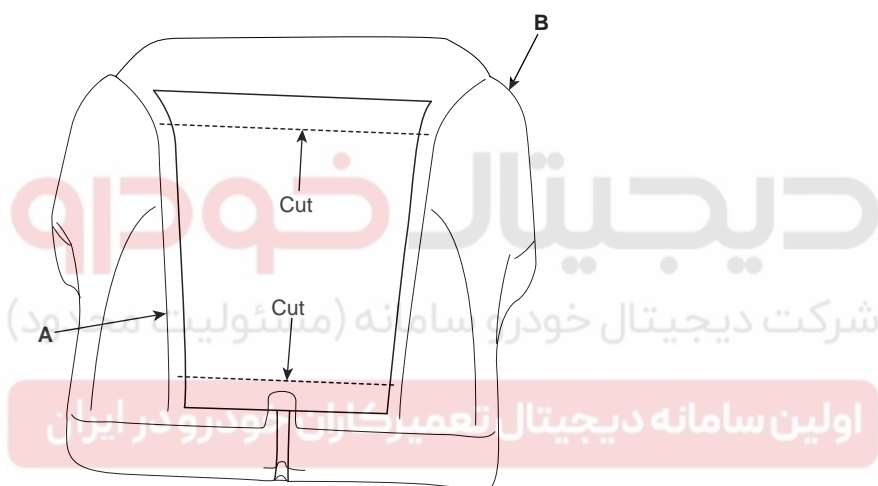
## SEAT CUSHION HEATER REPLACEMENT

1. Remove the seat cushion cover (See page BD- 87).
2. Cut the heater (A) attached to the pad (B), as shown in the picture.
3. Take off the paper from the the backside of the heater assembly.
4. Attach the heater to the main part of pad

 **CAUTION**

***Be sure to match the heater with main apperance.***

5. Install the seat cushion cover.



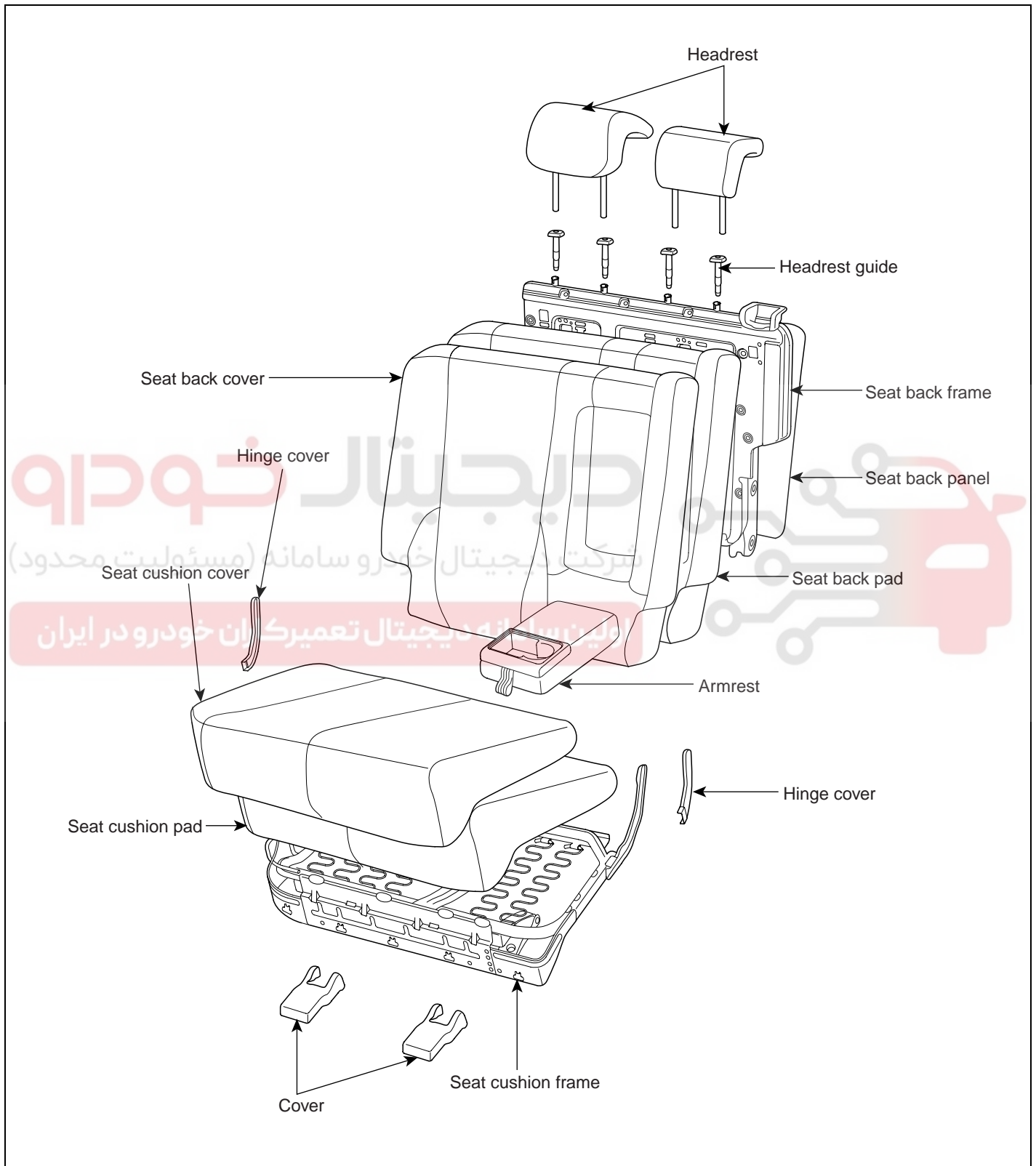
ESQE500T

SEAT

BD -91

REAR SEAT

COMPONENTS EF025F27



ESQE510A

## BD -92

## BODY (INTERIOR AND EXTERIOR)

## REPLACEMENT E225FEB6

## SEAT ASSEMBLY REPLACEMENT

1. After disconnect the cushion frame hinge (A) cover, loosen the mounting bolts. Fold the cushion (B).
2. Loosen the recliner hinge (C) mounting nut and bolt, then rear seat assembly (D).
3. Installation is the reverse of removal.

## NOTE

## SEAT MOUNTING BOLT AND NUT INSTALLATION PROCEDURE.

- Tighten temporarily in the order of nut and bolt on the front of recliner hinge installation part.
- After tighten completely the bolt on the back of the recliner hinge installation part, tighten completely the bolt on the front of it.
- Setting down the seat cushion, tighten the mounting bolt of the cushion frame hinge.
- Check if reclining the seat and folding seat back operate smoothly.

## Fastener Locations

▶ : Bolt, 10

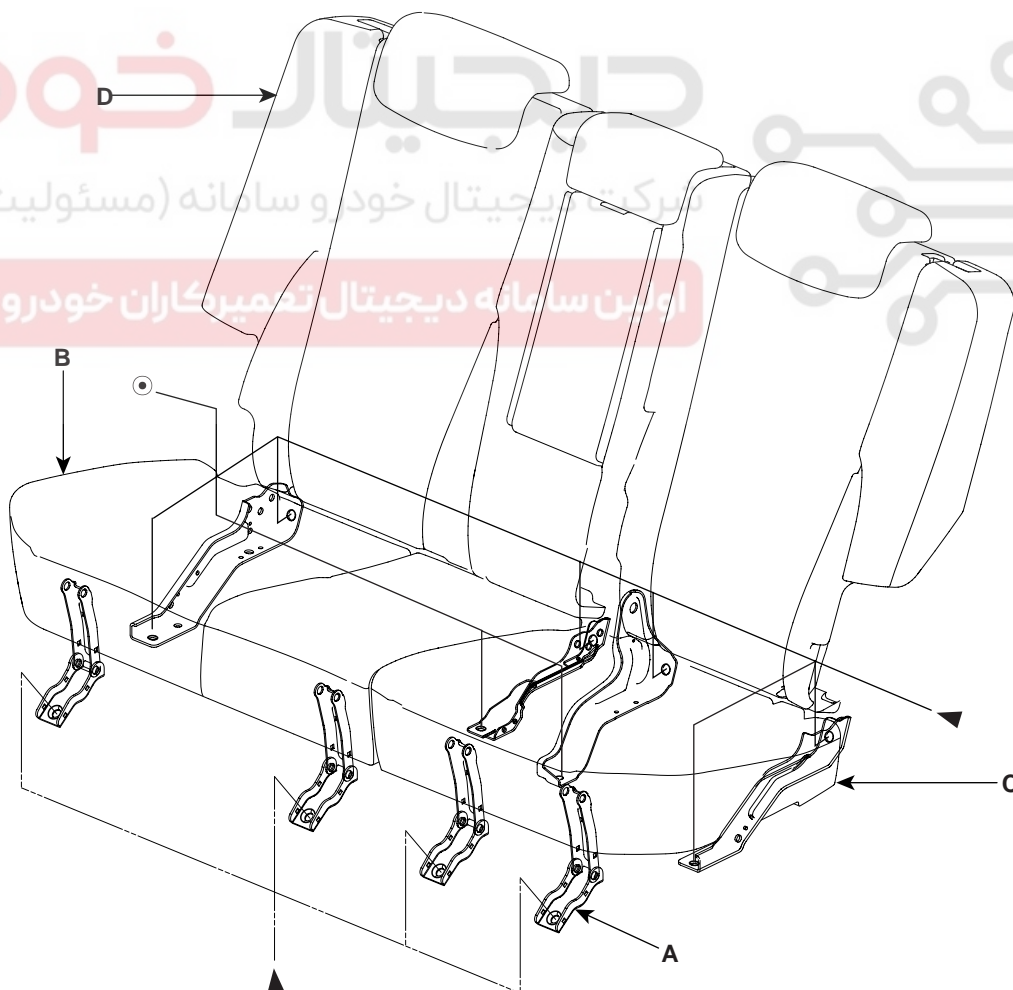


10 x 1.25mm,  
44 ~ 66Nm  
(440 ~ 660Kgf-cm,  
33 ~ 47lbf-ft)

● : Nut, 2



10 x 1.25mm,  
44 ~ 66Nm  
(440 ~ 660Kgf-cm,  
33 ~ 47lbf-ft)



ESQE510B



SEAT

BD -93

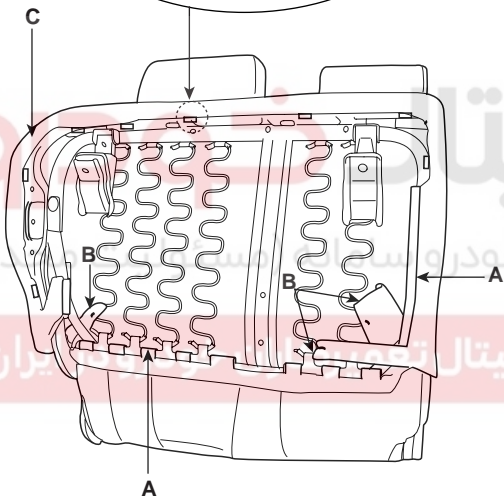
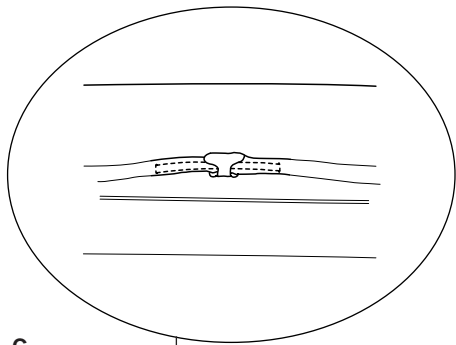
SEAT CUSHION COVER REPLACEMENT

1. After loosening cushion frame hinge mounting bolts, fold the cushion (See page BD- 92).
2. Remove the protector (A) and hogring clip (B), then remove the cushion (C).

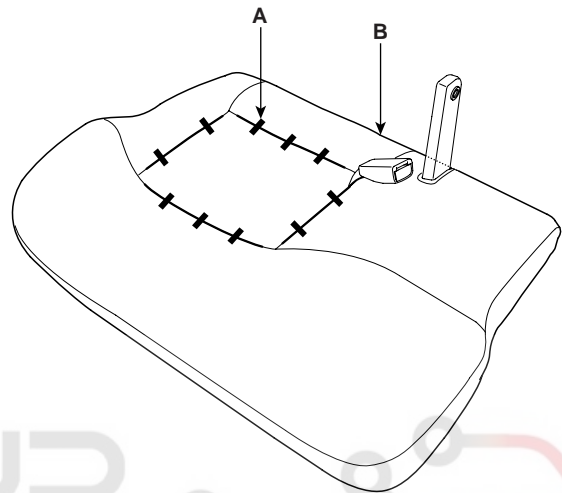
3. Pull out the hogring clips (A) on the front of seat cushion, remove the seat cushion cover (B).

**CAUTION**

*When removing the hogring clip, remove the hogring clip with pressing the wire not to separate the wire from the sponge*



KSQE511D

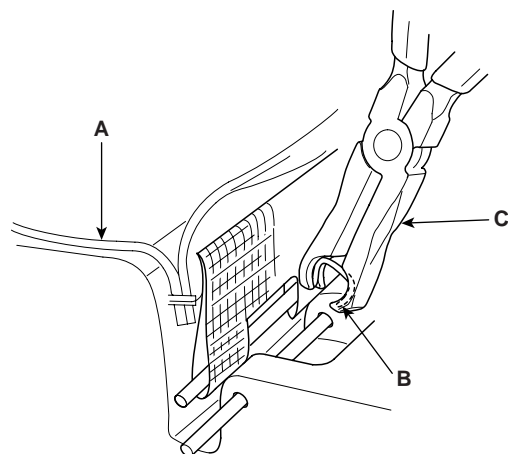


ESQE501N

4. Installation is the reverse of removal.

**NOTE**

- To prevent wrinkles, make sure the material is stretched evenly over the cover (A) before securing the hogring clips (B).
- Replace the hogring clips with new ones using special tool (C).



ESSD750D

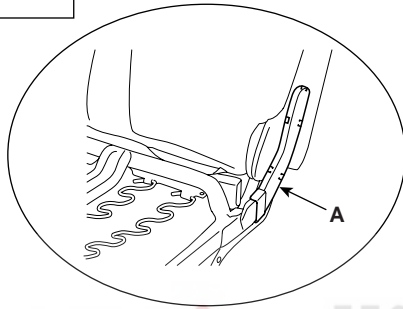
**BD -94**

**BODY (INTERIOR AND EXTERIOR)**

**SEAT BACK COVER REPLACEMENT**

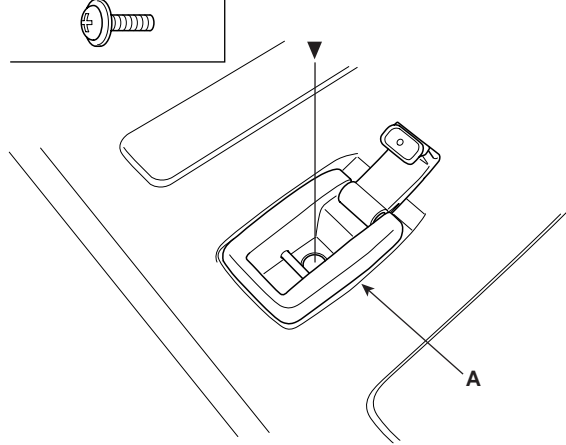
1. Remove the headrest.
2. Remove the armrest (See page BD- 98).
3. Remove the back folding hinge cover (A).
4. After loosening the mounting bolts,remove the cushion (B).

► : Bolt locations, 2



5. After folding the seat back,remove the shopping hook (A) from the back panel.

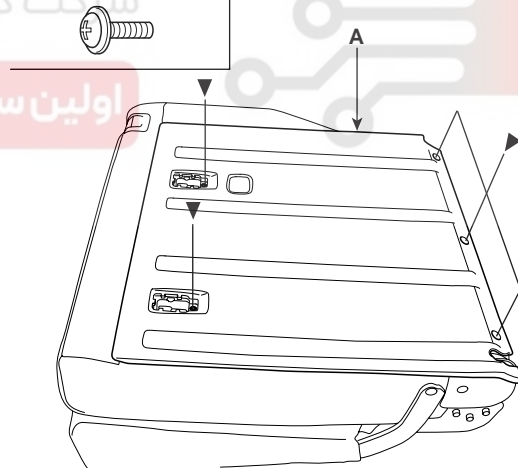
► : Screw locations, 1



ESQE510F

6. Remove the back panel (A).

► : Screw locations, 5



ESQE511E

ESQE510G

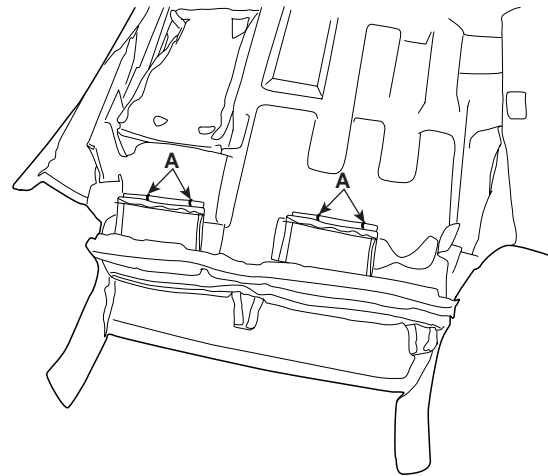
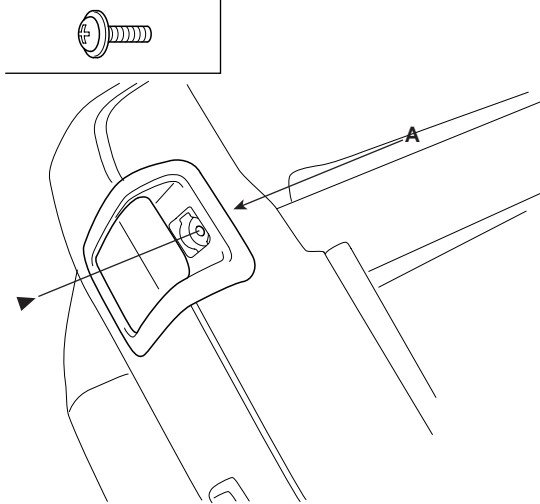
SEAT

BD -95

7. Remove the recliner lever cover (A).

9. Remove the hogring clip (A) of the pad.

► : Screw locations, 1



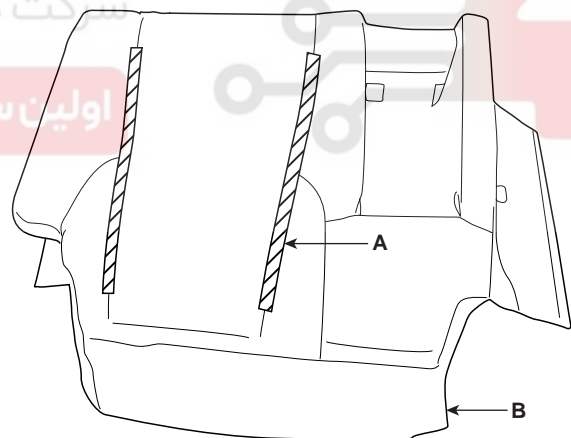
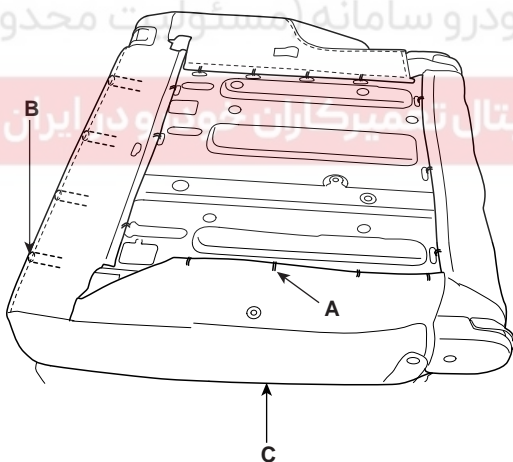
ESQE510H

KSQE510J

8. Remove the hogring clip (A) and headrest guide (B), then remove the seat back assembly (C).

10. Disconnect the aplix (A) on the front of seat back, remove the back cover (B).

دیجیتال خودرو  
شرکت دیجیتال خودرو سامانه (مشاورت محدود)  
اولین سامانه دیجیتال تعمیرکاران خودرو در ایران



KSQE510I

KSQE510K

11. Installation is the reverse of removal.

**NOTE**

To prevent wrinkles, make sure the material is stretched evenly over the cover before securing the aplix

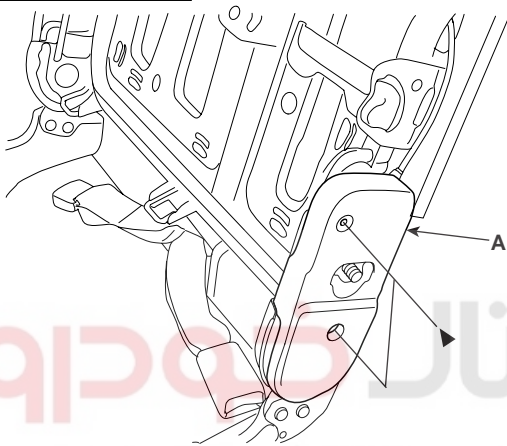
**BD -96**

**BODY (INTERIOR AND EXTERIOR)**

**SEAT BACK FRAME AND RECLINER REPLACEMENT**

1. Remove the seat cushion assembly (See page BD- 97).
2. Remove the seat back cover (See page BD- 94).
3. Remove the recliner cover (A).

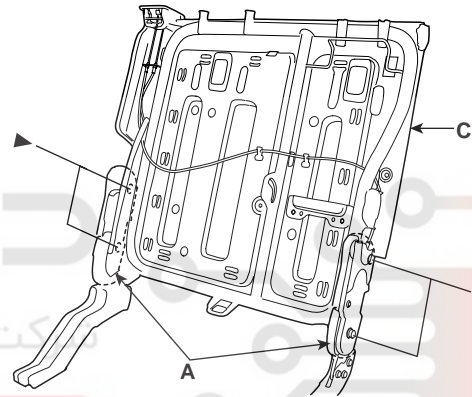
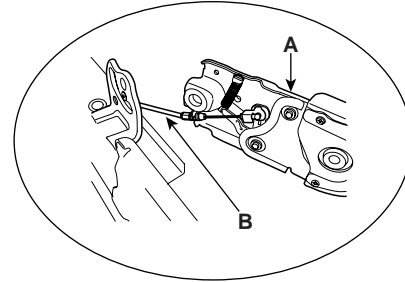
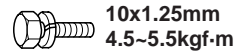
► : Screw locations, 2



ESQE510L

4. Loosen the recliner (A) mounting bolt. After disconnecting the recliner cable (B), remove the seat back frame (C).

► : Bolt locations, 4



ESQE511F

5. Installation is the reverse of removal.



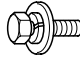
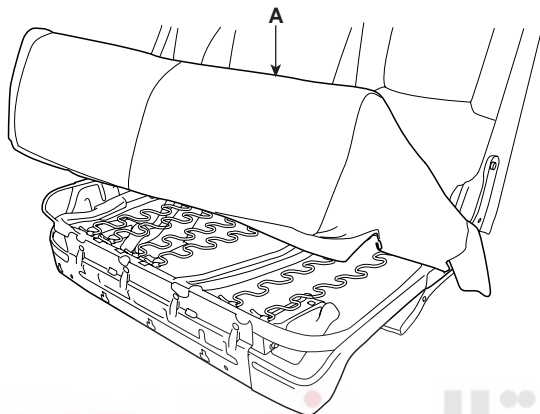
## SEAT

BD -97

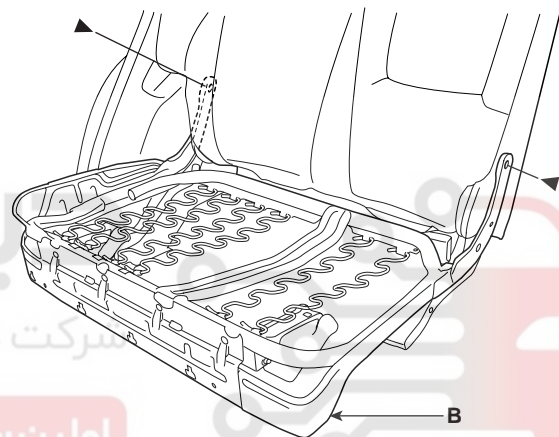
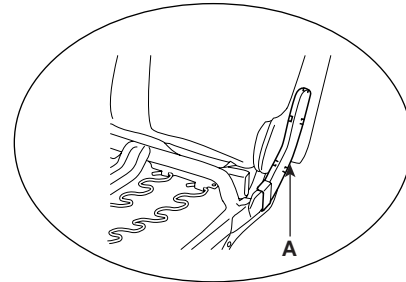
## SEAT CUSHION FRAME REPLACEMENT

1. Remove the seat cushion hinge mount bolt (See page BD- 92).
2. Disconnect the protector and remove the hogring clip. Remove the cushion assembly (A).
3. Loosen the back folding cover (A). After loosening the mounting, remove the cushion frame (B).

▶ : Bolt locations, 2


**8x1.0mm**  
**4.4-6.6kgf•m**


KSQE511B



ESQE511G

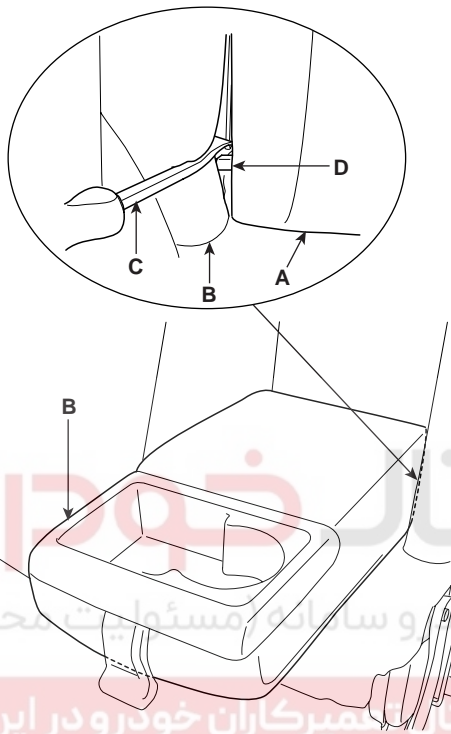
4. Installation is the reverse of removal.

**BD -98**

**BODY (INTERIOR AND EXTERIOR)**

**ARMREST REPLACEMENT**

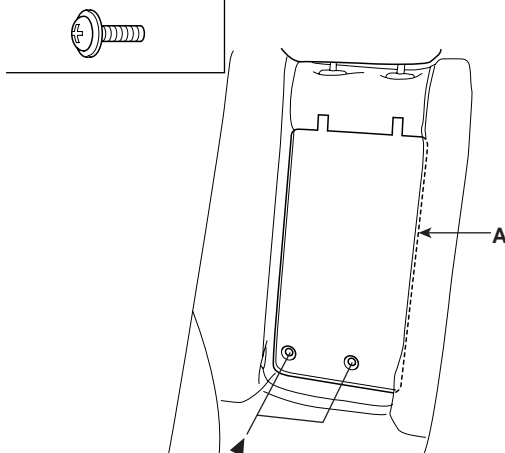
1. Squeeze out the gap between the seat back (A) and the armrest (B) to open using a screwdriver (C) and remove the bushing (D).
2. Pushing the arm rest to the left, remove the arm rest.



ESQE511H

3. Remove the armrest cover(A).
4. Installation is the reverse of removal.

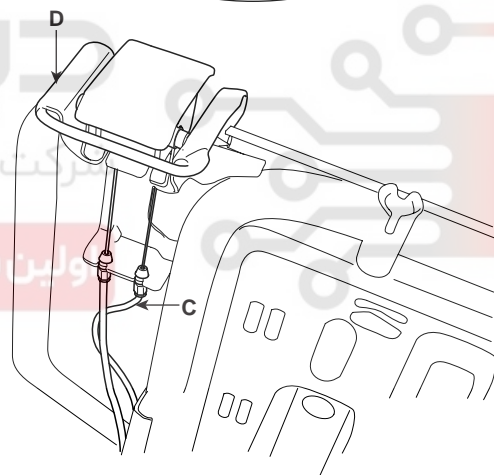
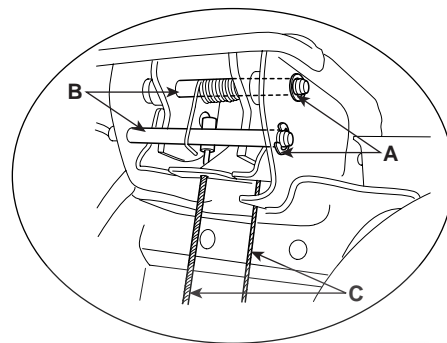
► : Screw locations, 2



ESQE510R

**RECLINER LEVER REPLACEMENT**

1. Remove the seat back frame (See page BD- 96).
2. After removing the "E"ring (A) from the recliner mounting pin,remove the recliner mounting pin (B).
3. Disconnect the recliner cable wire (C),then remove the recliner lever (D).
4. Installation is the reverse of removal.



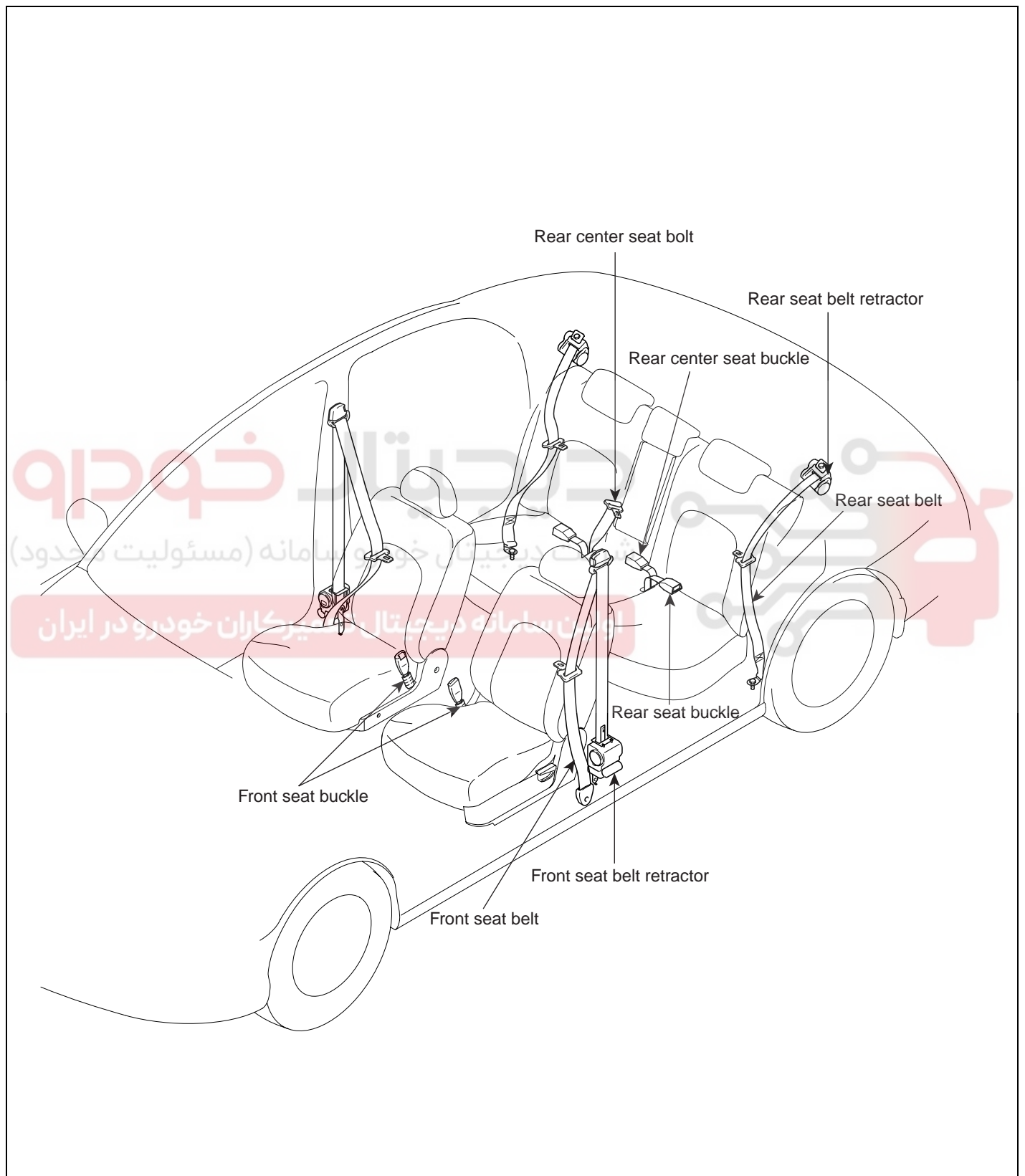
KSQE510U

SEAT

BD -99

SEAT BELT

COMPONENTS E7CDCC3A



ESQE560A



BD -100

BODY (INTERIOR AND EXTERIOR)

REPLACEMENT EC3CA141

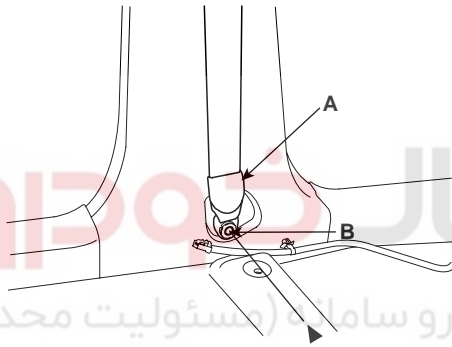
FRONT SEAT BELT REPLACEMENT

**CAUTION**

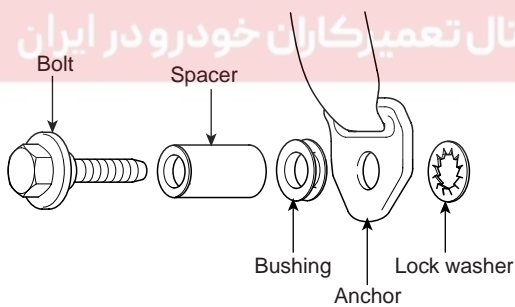
*When installing the seat belt, make sure not to damage pretensioner.*

1. Remove the following items first.
  - Front seat assembly (See page BD- 84).
  - Front and rear door scarf trim (See page BD- 69).
2. After raise the lower anchor cover (A),loosen the lower anchor mounting bolt (B).

► : Bolt, 6 x 1.25mm, 45 ~ 55Nm  
(450 ~ 550kgf-cm, 33 ~ 40lbf-ft)



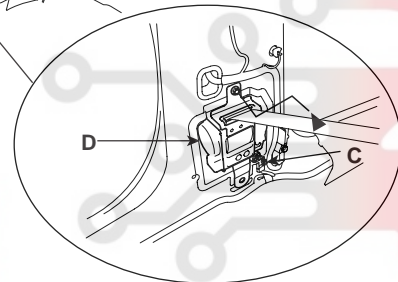
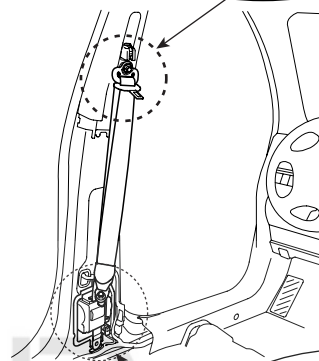
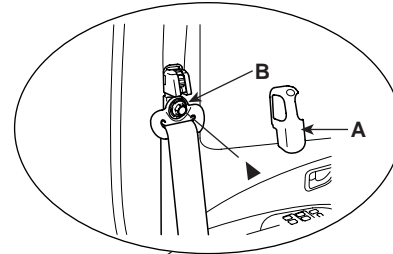
STRUCTURE OF LOWER ANCHOR BOLT



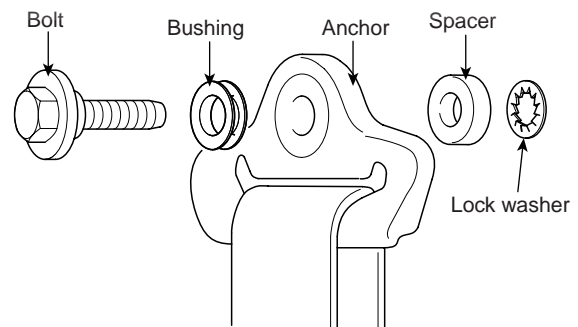
ESQE560D

3. Remove the center pillar lower trim (See page BD- 69).
4. Remove the upper anchor cover (A),then loosen the upper anchor (B).

5. After disconnecting the pretensioner connector lock pin,remove the connector (C). Loosen the mounting bolt,then remove the pretensioner (D).



STRUCTURE OF UPPER ANCHOR BOLT



ESQE560I

SEAT

BD -101

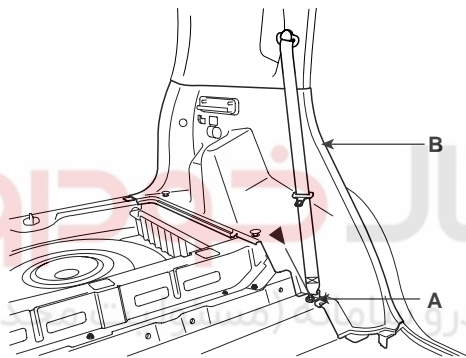
REAR SEAT BELT REPLACEMENT

**CAUTION**

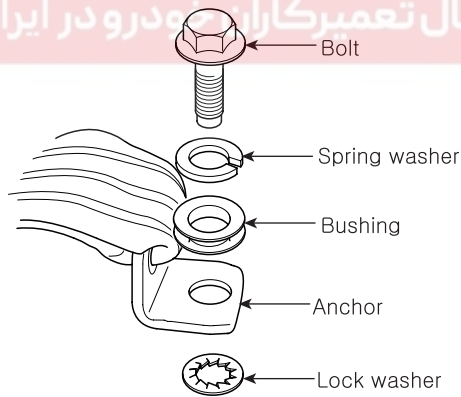
When installing the seat belt, make sure not to damage retractor.

1. Remove the following items first.
  - Rear seat assembly (See page BD- 92).
  - Front and rear door scarf trim (See page BD- 69).
  - Self covering trim (See page BD- 70).
  - Luggage center trim (See page BD- 70).
2. Remove the lower anchor (A).
3. Remove the luggage side trim (B-See page BD- 70).

► : Bolt, 6 x 1.25mm, 45 ~ 55Nm  
(450 ~ 550kgf-cm, 33 ~ 40lbf-ft)



STRUCTURE OF LOWER ANCHOR BOLT

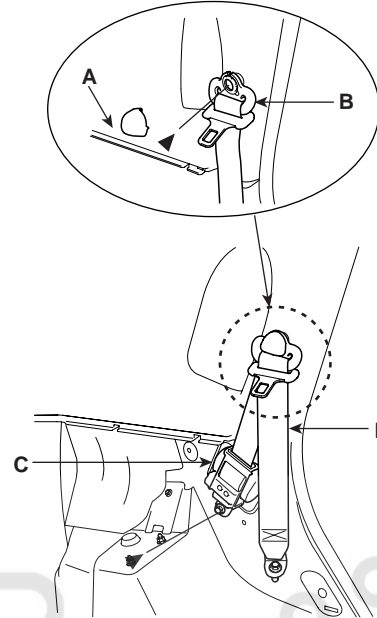


ESQE560L

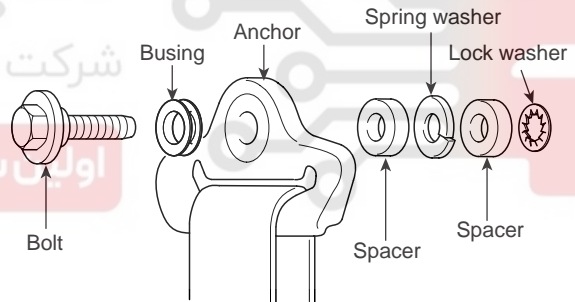
4. Remove the upper anchor cover (A), then loosen the mounting bolt. Remove the upper anchor (B).

5. After loosening the retractor (C) mounting bolt, remove the rear seat belt (D).

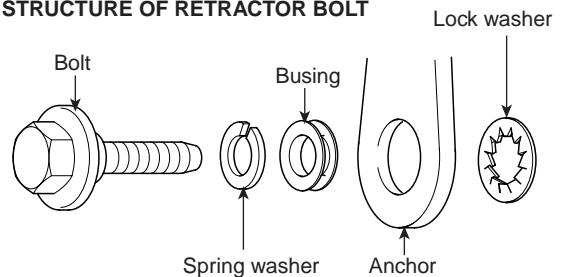
► : Bolt, 6 x 1.25mm, 45 ~ 55Nm  
(450 ~ 550kgf-cm, 33 ~ 40lbf-ft)



STRUCTURE OF UPPER ANCHOR BOLT



STRUCTURE OF RETRACTOR BOLT



ESQE560R

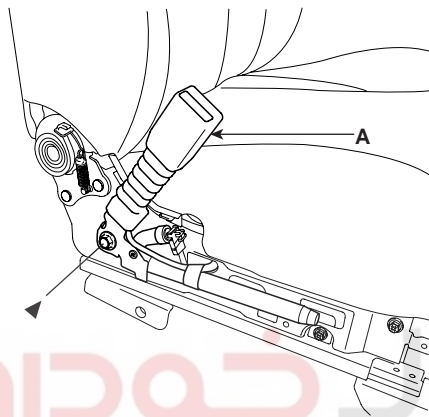
**BD -102**

**BODY (INTERIOR AND EXTERIOR)**

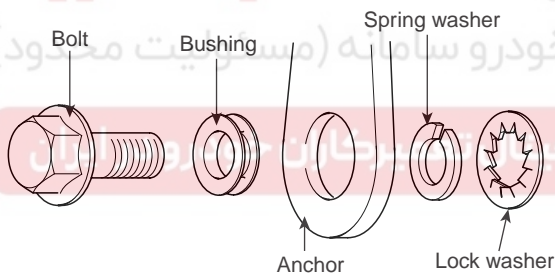
**FRONT SEAT BELT BUCKLE REPLACEMENT**

1. Remove the following items first.
  - Front seat assembly (See page BD- 84).
  - Front seat recliner cover (See page BD- 85).
2. Remove the seat belt buckle (A).
3. Installation is the reverse of removal.

► : Bolt, 6 x 1.25mm, 45 ~ 55Nm  
(450 ~ 550kgf-cm, 33 ~ 40lbf-ft)



STRUCTURE OF BUCKLE BOLT

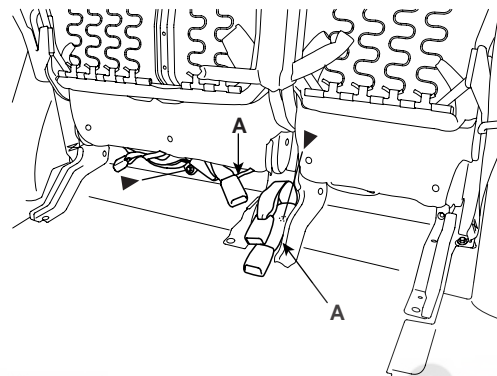


ESQE561C

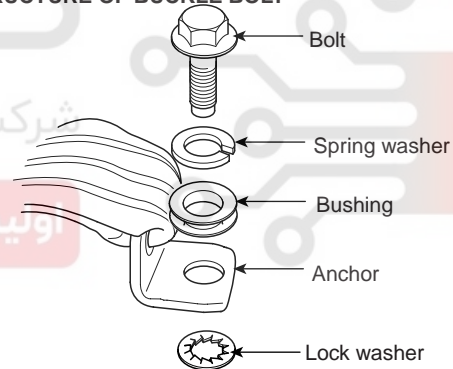
**REAR SEAT BELT BUCKLE REPLACEMENT**

1. After cushion frame hinge mounting bolts, fold the cushion (See page BD- 92).
2. Remove the seat belt buckle (A).
3. Installation is the reverse of removal.

► : Bolt, 6 x 1.25mm, 45 ~ 55Nm  
(450 ~ 550kgf-cm, 33 ~ 40lbf-ft)



STRUCTURE OF BUCKLE BOLT



ESQE561F

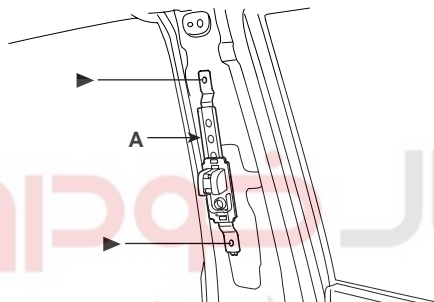
## SEAT

BD -103

## HEIGHT ADJUSTER REPLACEMENT

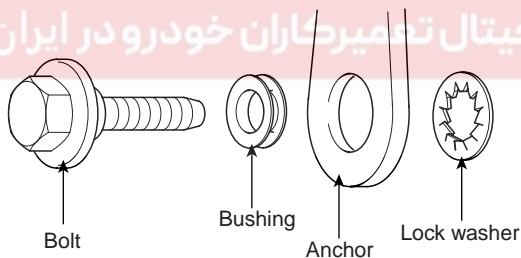
1. Remove the following items first.
  - Front seat assembly (See page BD- 84).
  - Front and rear door scuff trim (See page BD- 69).
  - Front seat belt upper and lower anchor (See page BD- 100).
  - Center pillar lower and upper trim (See page BD- 69).
2. Loosen the mounting bolt, then remove the height adjuster (A).
3. Installation is the reverse of removal.

► : Bolt, 6 x 1.25mm, 45 ~ 55Nm  
(450 ~ 550kgf-cm, 33 ~ 40lbf-ft)



دیجیتال خودرو  
شرکت دیجیتال خودرو سامانه (مسئولیت محدود)

## STRUCTURE OF HEIGHT ADJUSTER BOLT



ESQE5611