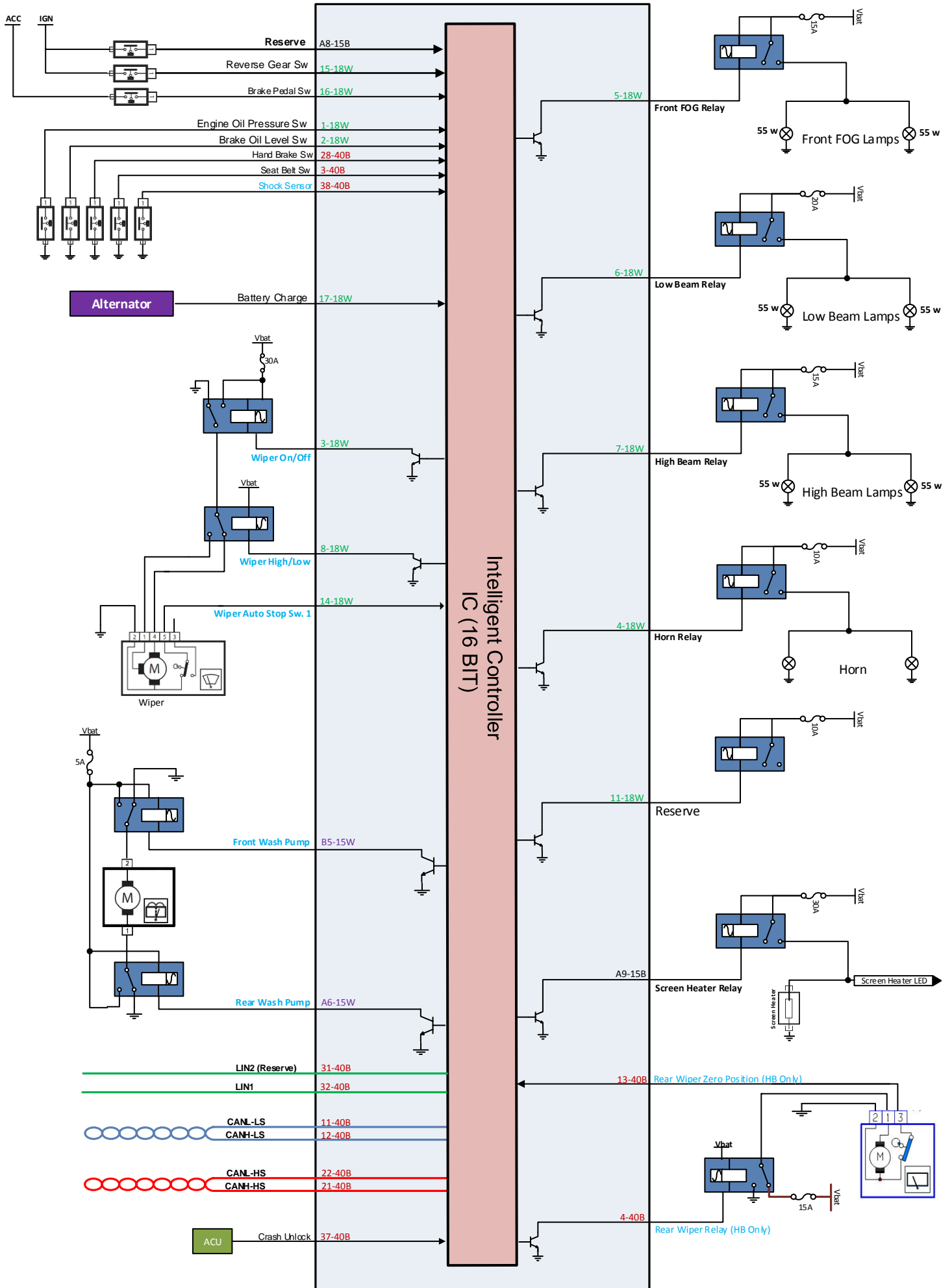
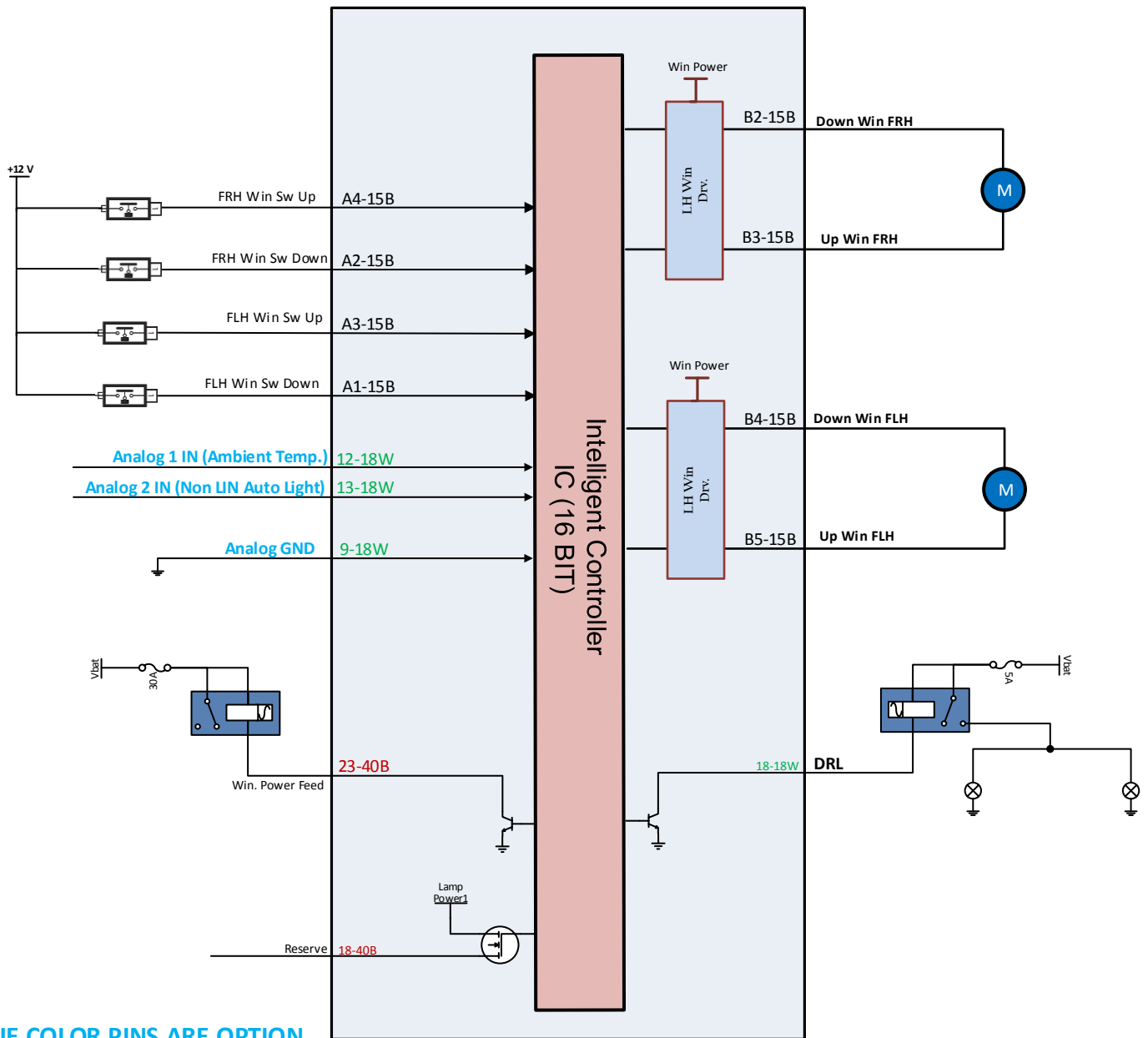


* BLUE COLOR PINS ARE OPTION

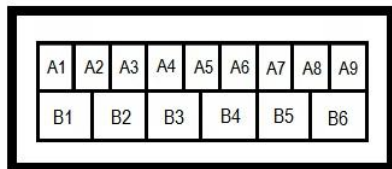


* BLUE COLOR PINS ARE OPTION

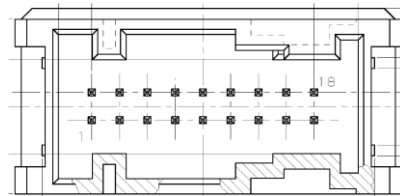


* BLUE COLOR PINS ARE OPTION

SICMA1 15WAYS HEADER

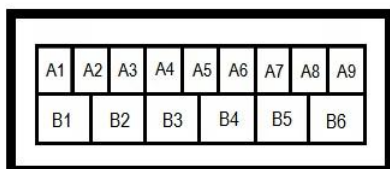


Connector 15 Pin White (98315--0010)

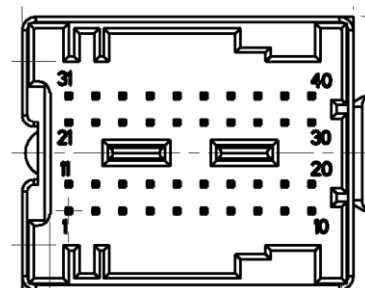


Connector 18 Pin White (2-185529-2)

SICMA1 15WAYS HEADER



Connector 15 Pin Black (98315-0001)



Connector 40 Pin Black (0-953118-1)